

AGi20PM INDUSTRIAL TOWABLE DIESEL GENERATOR

STANDBY POWER RATING
20 kW (20 kVA)

PRIME POWER RATING
18 kW (18 kVA)

AURORA
Diesel Generators



AURORA GENERATORS INC
195 PONY DRIVE #2 NEWMARKET ONTARIO L3Y 7B5
WEB: WWW.AURORAGENERATORS.COM
1-877-510-6807

AGi20PM INDUSTRIAL TOWABLE DIESEL GENERATOR

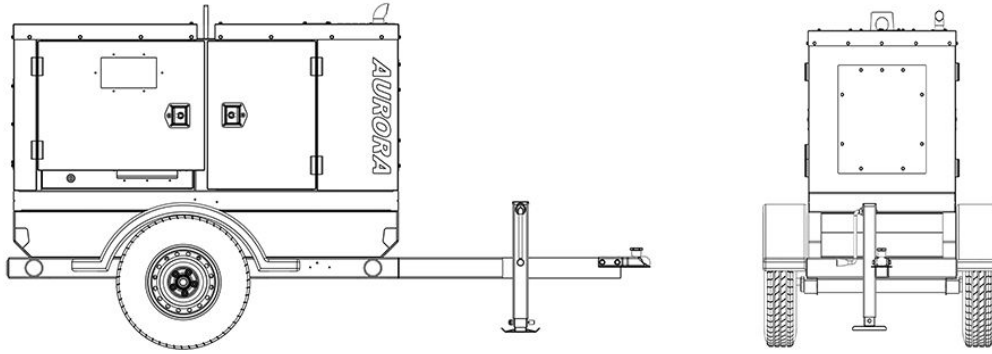
AURORA
Diesel Generators

STANDBY POWER RATING

20 kW (20 kVA)

PRIME POWER RATING

18 kW (18 kVA)



GENERAL SPECIFICATIONS

General Specifications	
Model	AGi20PM
Power	20,000 Watt (Standby) 18,000 Watt (Prime)
Type	Diesel Powered
Engine	Perkins 404D-22G 4 Cylinder 2.2L
Power Outlets	2 - 120 Volt 20 Amp Duplex 5-20R 2 - 120 Volt 30 Amp Twistlock L6-30R 1 - 120 / 250 Volt 30 Amp Twistlock L14-30 1 - 120 / 240 Volt 50 Amp Twistlock C6369
Alternator	Single Phase 120/240 Volt 1 Phase Brushless AVR
Housing	Sound Attenuated, Weather Resistant
Trailer	3,500 lb Single Axle
Instrumentation	Illuminated Auto-Start Controller DynaGen TG410
Generator Dimensions	76" x 35" x 46"
Trailer Dimensions	10.6' x 4.7'
Generator Weight	2100 lbs
Approvals	CSA / EPA

AURORA GENERATORS INC
195 PONY DRIVE #2 NEWMARKET ONTARIO L3Y 7B5
WEB: WWW.AURORAGENERATORS.COM
1-877-510-6807

AGi20PM

INDUSTRIAL TOWABLE DIESEL GENERATOR

AURORA
Diesel Generators

STANDBY POWER RATING

20 kW (20 kVA)

PRIME POWER RATING

18 kW (18 kVA)

STANDARD FEATURES

MOBILE / TOWABLE GENERATOR

- Enclosed silenced generator
- Powered by Perkins engines
- All stainless steel fasteners
- Large capacity fuel tank
- Heavy duty trailer
- Made In Canada
- Customizable electrical panel
- Reduced maintenance costs

ENGINE

- Exhaust Silencer
- Oil pressure switch
- Oil pressure sensor
- Coolant temperature switch
- Coolant temperature sensor
- Coolant level sensor
- EZ-Oil drain valve
- Primary fuel filter
- Fuel/water separator

COOLING SYSTEM

- Factory-installed radiator
- 50/50 ethylene glycol antifreeze
- 120 VAC engine block coolant heater

ENGINE ELECTRICAL SYSTEM

- Starter battery
- Battery charging alternator
- Battery cables
- Battery tray
- Solenoid activated starter motor
- Complete engine instrumentation

ALTERNATOR SYSTEM

- UL / CSA approved
- Brushless excitation
- Sealed bearings
- Class H insulation
- Voltage regulator

- Main circuit breaker

GENERATOR CONSTRUCTION

- Steel powder coated base frame assembly
- All stainless steel fasteners
- Vibration Isolation

ENCLOSURE

- Sound attenuated, weather resistant
- Galvannealed steel canopy
- Powder coat finish
- Stainless steel fasteners
- High-performance sound-absorbing material
- Fully lockable enclosure
- Weather stripping around doors
- Weather resistant construction
- Stamped air-intake louvers or vents
- Sound attenuated insulation - 65 dB(A) @23 feet

FUEL TANK

- Internal fuel-tank sub-base diesel fuel tank
- Powder coated steel construction, UL Listed
- Direct readable fuel gauge
- Controller monitored electronic gauge
- Sensors, vents, valves

AURORA GENERATORS INC
195 PONY DRIVE #2 NEWMARKET ONTARIO L3Y 7B5
WEB: WWW.AURORAGENERATORS.COM
1-877-510-6807

AGi20PM INDUSTRIAL TOWABLE DIESEL GENERATOR

AURORA
Diesel Generators

STANDBY POWER RATING

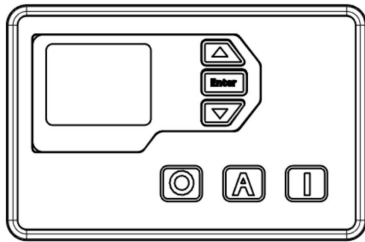
20 kW (20 kVA)

PRIME POWER RATING

18 kW (18 kVA)

CONTROL SYSTEM

FEATURES



- Designed for harsh conditions with extreme shock and vibration
- Easy to understand display messages. (no codes)
- Automatic start/stop control when used with a transfer switch or remote
- Clear generator instrumentation, protection and control. Includes battery voltage, AC ammeter, oil pressure, engine temperature, fuel level, fuel leak, hour meter, tachometer, frequency, voltage, coolant level, service clock, exerciser preheat, postheat, 150 event log, load balance, emergency shut-down monitors
- CANBUS engine control
- Field programmable settings (password protected)
- Programmable setpoint warnings, alarms levels, and sensor trim feature.
- Programmable low battery auto start / exercise
- 2-Wire start compatible
- Computer programmable via USB Port
- Uses standard automotive cube relays
- 5 Year Manufacturer Warranty

CONTROLLER SPECIFICATIONS

Controller Specifications	
Model	DynaGen TG350 - Standard DynaGen TG410 - Optional
Operating Voltage	5.5 to 38 Volts DC Cranking dropouts to 0 VDC for 50 mS Also meets SAEJ113-11
Standby current draw	50 ma
Protection	Reverse battery and overload protected
Operating Temperature	-40c - 70c (-40 - +150 F)
Vibration and Shock	SAEJ1455
Electromagnetic Compatibility	Meets or exceeds MIL-STD-461E Conducted Emissions
Configurable Switched Inputs	5
Configurable Switched Outputs	4
Warranty	5 Years

AURORA GENERATORS INC
195 PONY DRIVE #2 NEWMARKET ONTARIO L3Y 7B5
WEB: WWW.AURORAGENERATORS.COM
1-877-510-6807

AGi20PM

INDUSTRIAL TOWABLE DIESEL GENERATOR

AURORA
Diesel Generators

STANDBY POWER RATING

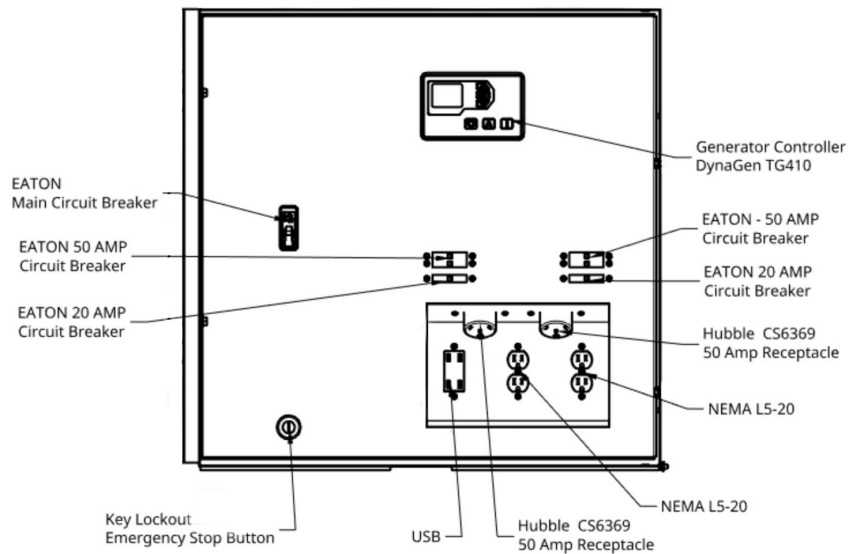
20 kW (20 kVA)

PRIME POWER RATING

18 kW (18 kVA)

POWER PANEL

- Fast and convenient hook-up
- 4 Port USB Power | 4.2 Amp
- 2 x 120 Volt | 20 Amp | Duplex | 5-20R
- 2 x 120 / 240 Volt | 50 Amp | Twistlock | C6369
- 2 x 120/240 locking receptacle L14-30
- Emergency stop/lockout key switch
- Main breaker
- Receptacle branch circuit breakers
- Main load terminal connections
- Ground terminal block
- Alarm and run signal out



AURORA GENERATORS INC
195 PONY DRIVE #2 NEWMARKET ONTARIO L3Y 7B5
WEB: WWW.AURORAGENERATORS.COM
1-877-510-6807

AGi20PM

INDUSTRIAL TOWABLE DIESEL GENERATOR

AURORA
Diesel Generators

STANDBY POWER RATING

20 kW (20 kVA)

PRIME POWER RATING

18 kW (18 kVA)

ENGINE SPECIFICATIONS

ENGINE MODEL 404D-22G	
Make	Perkins
Model	404D-22G
Number of cylinders	4
Cycle	Four stroke
Induction system	Naturally aspirated
Compression Ratio	23,3:1
Bore	84 mm
Stroke	100 mm
Cubic capacity	2.216 litres
Direction of rotation	Anti Clockwise when viewed from flywheel
Firing order	1,3,4,2
Estimated total weight of Electropak (dry)	242 kg
Maintenance	Oil changes 500 Hours
ENGINE PERFORMANCE	Note: All data based on operation to ISO 3046-1:2002 standard reference conditions
Speed variation at constant load	± 0,5%
Test conditions - air temperature	25 °C
Test conditions - barometric pressure	100 kPa
Relative humidity	31.5%
Air inlet restriction at maximum power (nominal)	3 kPa
Exhaust back pressure at maximum power (nominal)	10.2 kPa
Fuel temperature (inlet pump)	40 °C
Sound Level Average sound pressure level for bare engine - WITHOUT inlet and exhaust or canopy enclosure at 1 metre	79 dB(A)
All ratings certified to within	± 5%
<i>If the engine is to operate in ambient conditions other than those of the test conditions, suitable adjustments must be made for these changes. For full details, contact Perkins Technical Service Department. Emissions Statement: Certified against the requirements of EU2007 (EU97/68/EC Stage II) and EPA Interim Tier 4 (EPA 40 CFR Part 1039 Interim Tier 4) legislation for nonroad mobile machinery, powered by constant speed engines</i>	

AURORA GENERATORS INC
195 PONY DRIVE #2 NEWMARKET ONTARIO L3Y 7B5
WEB: WWW.AURORAGENERATORS.COM
1-877-510-6807

AGi20PM

INDUSTRIAL TOWABLE DIESEL GENERATOR

AURORA
Diesel Generators

STANDBY POWER RATING

20 kW (20 kVA)

PRIME POWER RATING

18 kW (18 kVA)

ALTERNATOR

MODEL SM180C	
Type	Brushless
Prime Power	18.0 kW
Standby Power	20.0 kW
Efficiency	84.3%
Approvals	I EC60034, NEMA MG1-32, IS08528, CSA C22.2-100, VDE 0530, GB755
Insulation	Class H
Voltage Regulation AVR Model VR301	± 0.5%
THD	No load < 1.5%
Altitude	≤ 1000m
Winding Pitch	2/3
Protection	IP23
Weight	124 kG 273.4 lb
4 Pole Alternator	Brushless with AVR
Voltage Regulation	± 0.5%
Rated Output	120/240 Volt Single Phase 55 kW 69 kVA
Insulation	Class H
Warranty	5 Years
<i>Ratings based on 60Hz / 1800RPM / 40 °C / PF 0.8</i>	

POWER RATINGS

Single-Phase 120/240 VAC @1.0pf	83 Amps
Three-Phase 120/208 VAC @0.8pf	69 Amps
Three-Phase 277/480 VAC @0.8pf	30 Amps
Three-Phase 346/600 VAC @0.8pf	24 Amps

FUEL CONSUMPTION RATES

Standby Power 20 kW	6.9 L / Hour
Prime Power 18 kW	6.2 L / Hour
75% Prime Power	4.8 L / Hour
50% Prime Power	3.5 L / Hour

AURORA GENERATORS INC
195 PONY DRIVE #2 NEWMARKET ONTARIO L3Y 7B5
WEB: WWW.AURORAGENERATORS.COM
1-877-510-6807

AGi20PM INDUSTRIAL TOWABLE DIESEL GENERATOR



STANDBY POWER RATING

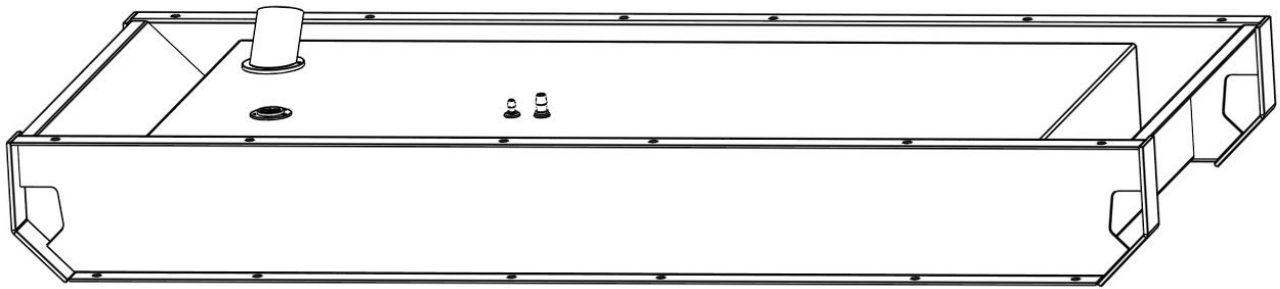
20 kW (20 kVA)

PRIME POWER RATING

18 kW (18 kVA)

Prime power rating is the maximum power accessible at the variable load for an unlimited number of hours per year in a variable load setting
Standby Power rating is the maximum power available. No overload is permitted. Average variable load factor is 70%
Continuous Power is the non-varying load for an unlimited number of hours.

FUEL TANK



Fuel Tank Specifications	
Type	Diesel Sub-Base Tank
Design	Steel Construction with Secondary Containment Rapture Basin Design Heavy Duty Side Channels
Finish	Powder Coat Black
Vent/Fill/Alarm	Low Fuel Level Alarm Switch Manual Locking Fill Cap Visual Fuel Level Gauge
Weight	385 lb
Other	Lifting Plates on side of tank QTY (4)
Optional	UL S601 / B139 50 Gallon Double Wall UL S601 / B139 50 Gallon Double Wall

AGi20PM INDUSTRIAL TOWABLE DIESEL GENERATOR

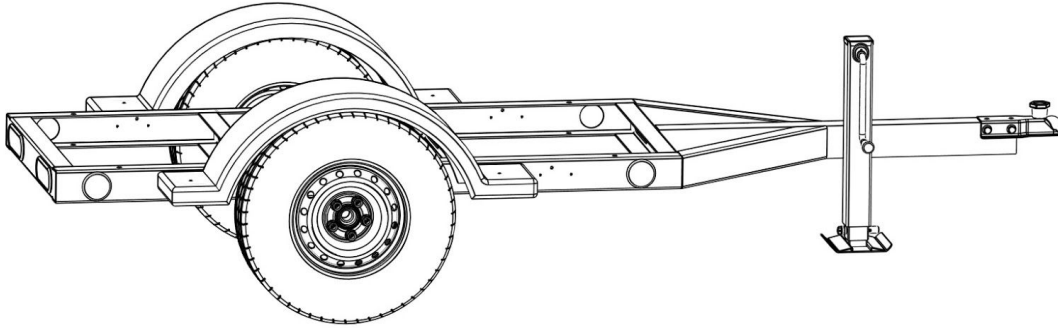
AURORA
Diesel Generators

STANDBY POWER RATING

20 kW (20 kVA)

PRIME POWER RATING

18 kW (18 kVA)



TRAILER

Generator Trailer Specifications	
Construction	Formed Steel
Bed Size	77" x 35"
Finish	Powder coat texture black
Suspension	Single 3.5K Torsion Suspension CSA Certified
Wheels	ST205/75R15
Rims	White
Nitrogen Filled	Yes
Connection	4 Pin
Coupler	5-Position adjustable 2" ball
Jack	Pipe-mount swivel tongue jack
Plate Mount	Included
Fenders	Polycarbonate fenders
Weight	350 lb
Warranty	4 Years

AURORA GENERATORS INC
195 PONY DRIVE #2 NEWMARKET ONTARIO L3Y 7B5
WEB: WWW.AURORAGENERATORS.COM
1-877-510-6807

AGi20PM

INDUSTRIAL TOWABLE DIESEL GENERATOR

AURORA
Diesel Generators

STANDBY POWER RATING

20 kW (20 kVA)

PRIME POWER RATING

18 kW (18 kVA)

GENERATOR OPTIONS

- Cellular-based GPS tracking, monitoring, lock-out and control
- Battery Charger - 4 Amp smart charger
- Battery Charger - Solar panel powered charger
- Cold start circulation pump - 1000 watts
- Pin and sleeve output connectors
- Load centers
- Interior lighting

RATING DEFINITIONS

Standby - Applicable for a varying emergency load for the duration of a utility power outage with no overload capability.

Prime - Applicable for supplying power to a varying load in lieu of utility for an unlimited amount of running time. A 10% overload capacity is available for 1 out of every 12 hours.

AURORA GENERATORS INC
195 PONY DRIVE #2 NEWMARKET ONTARIO L3Y 7B5
WEB: WWW.AURORAGENERATORS.COM
1-877-510-6807