

CNC CALIPER CARRIER

RACE EDITION
FOR RADIAL CALIPER

USER MANUAL

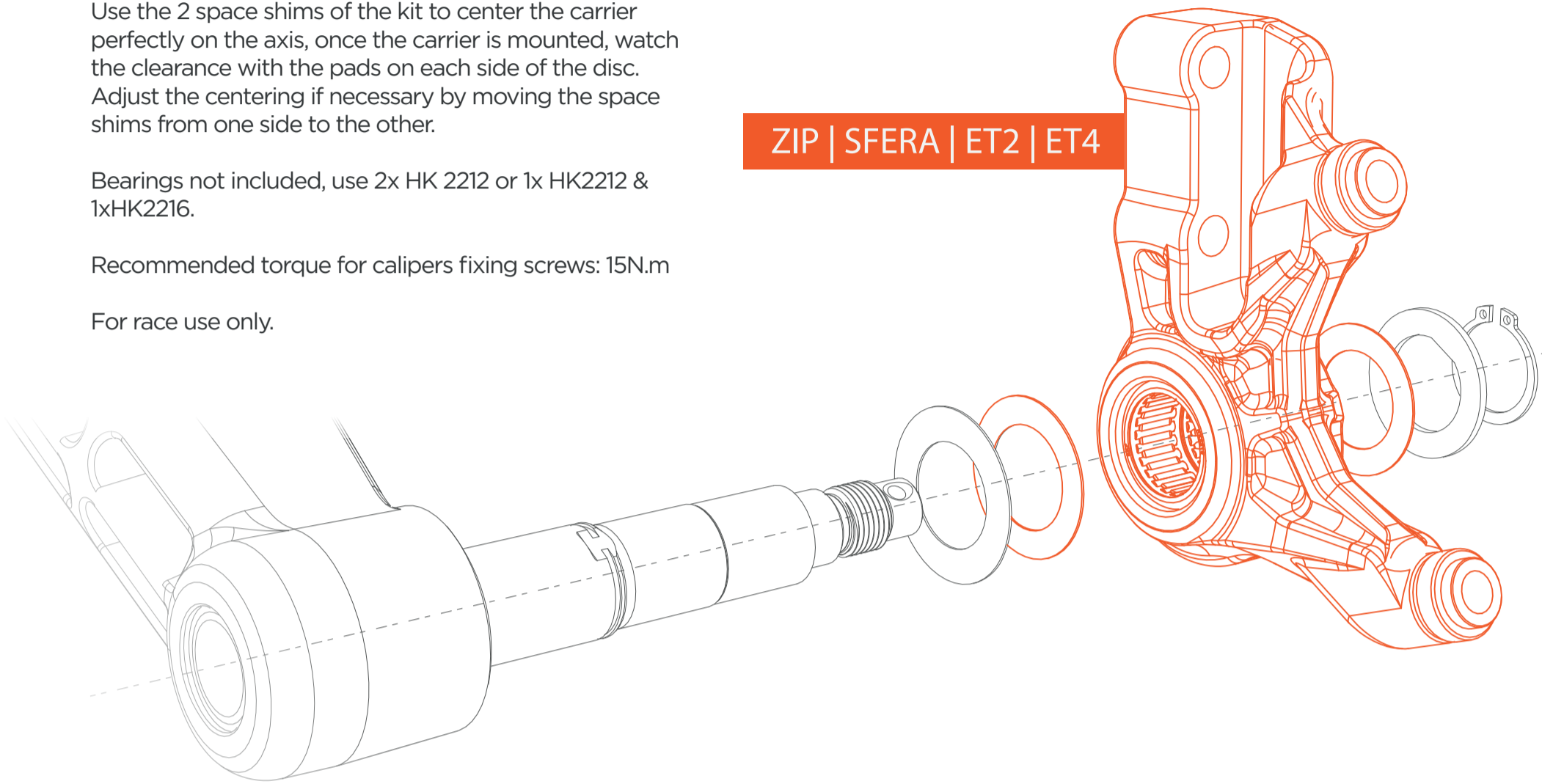
Use the 2 space shims of the kit to center the carrier perfectly on the axis, once the carrier is mounted, watch the clearance with the pads on each side of the disc. Adjust the centering if necessary by moving the space shims from one side to the other.

Bearings not included, use 2x HK 2212 or 1x HK2212 & 1xHK2216.

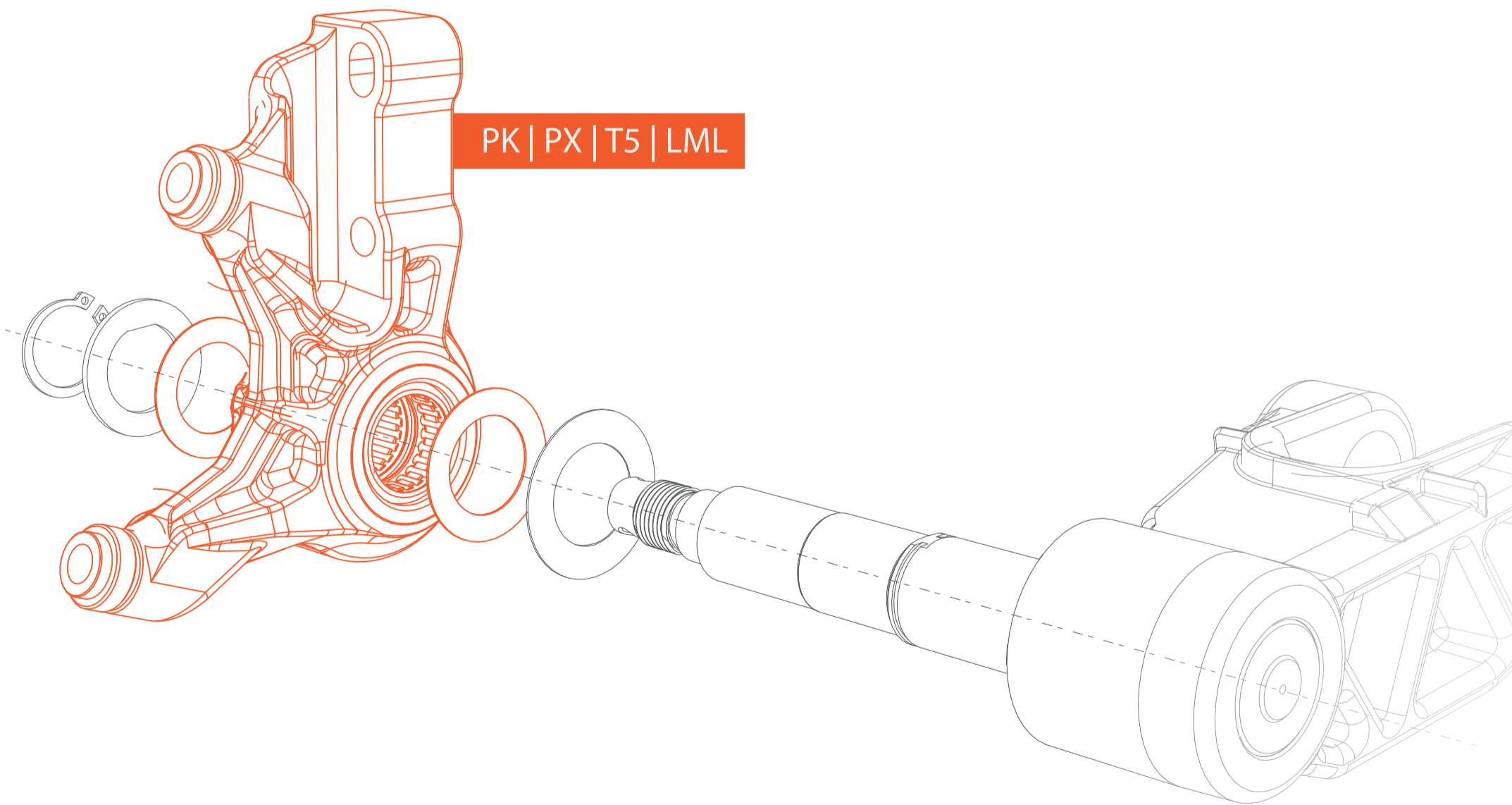
Recommended torque for calipers fixing screws: 15N.m

For race use only.

ZIP | SFERA | ET2 | ET4



PK | PX | T5 | LML



AFP-0001 PK | PX | LML for all shock absorbers

AFP-0002 ZIP | SFERA | ET2 | ET4 for all shock absorbers

AFP-0003 PK lowered for Stage6® / Bitubo® / SIP Performance 2.0® / Carbone Hi-Tech® / YSS Mono X-Pro® schock absorbers

AFP-0004 ZIP | SFERA | ET2 | ET4 lowered for Stage6® / Bitubo® / SIP Performance 2.0® / YSS Mono X-Pro® schock absorbers