

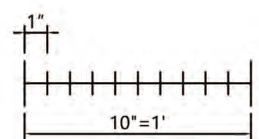
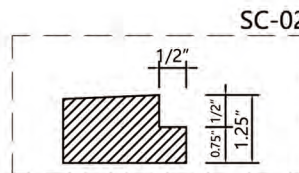
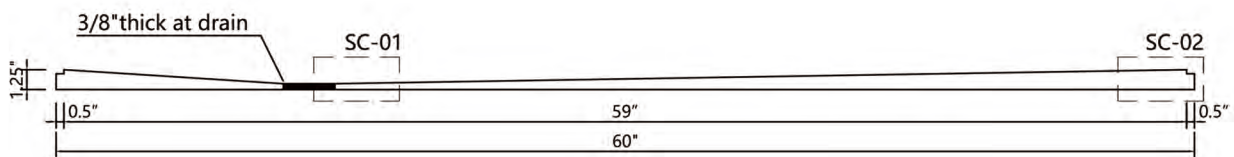
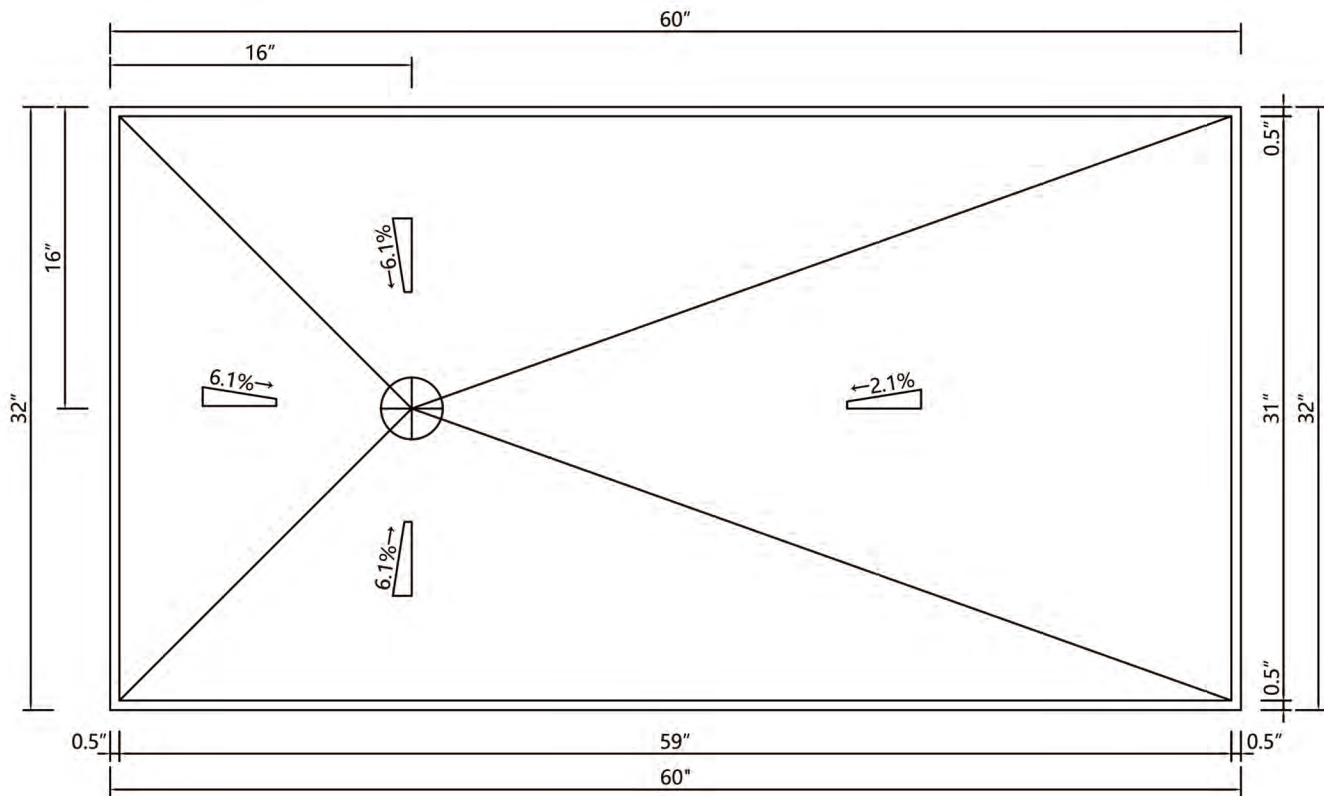
SKU
ZGBSP3260

Description
32" X60" X 1" SHOWER PAN W/DRAIN

EMPERVIOUS
RIGID WATERPROOF SHOWER SYSTEM

Date July 1, 2022	Revision 2022.1	Scale 1:12	Drawing Number 1 of 1
----------------------	--------------------	---------------	--------------------------

www.emser.com
8431 Santa Monica Blvd. Los Angeles, CA 90069



SKU

ZGBSP3260OD

Description

32" X 60" X 1-1/4" SHOWER PAN W/DRAIN OFFSET

EMPERVIOUS™
RIGID WATERPROOF SHOWER SYSTEM

Date

July 1, 2022

Revision

2022.1

Scale

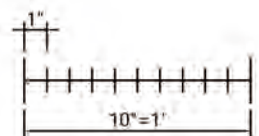
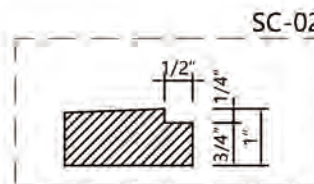
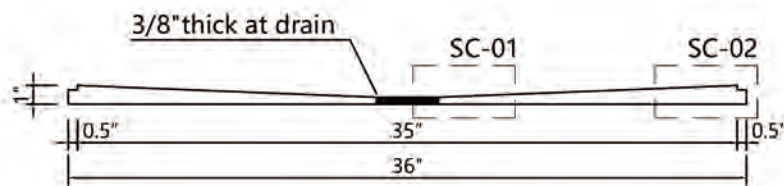
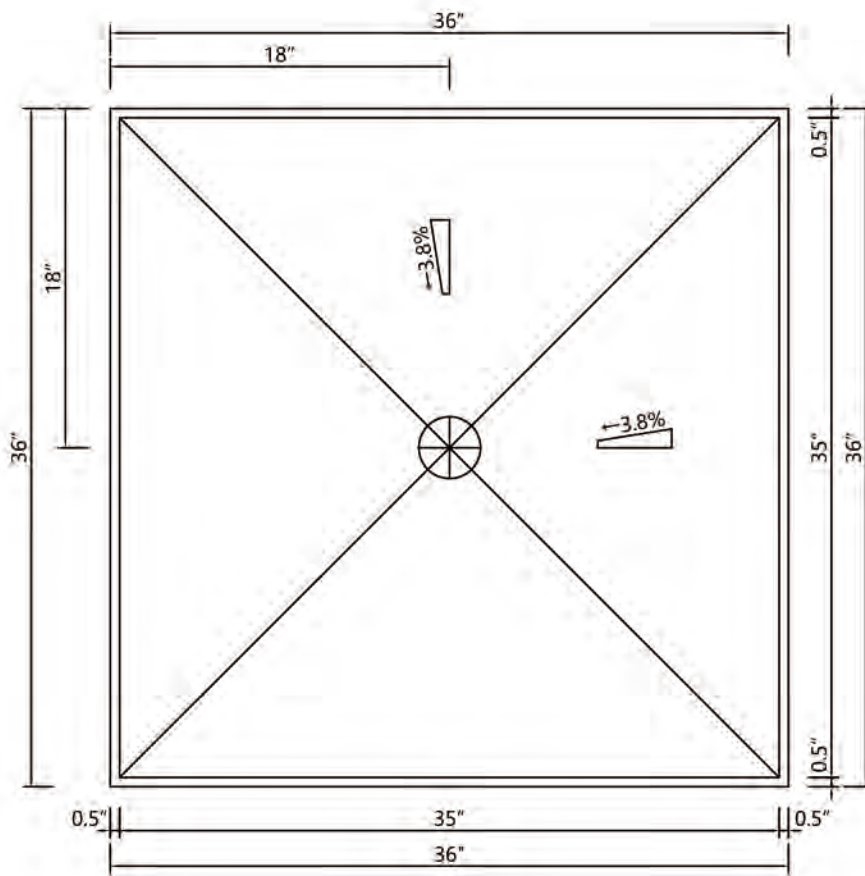
1:12

Drawing Number

1 of 1

www.emser.com

8431 Santa Monica Blvd. Los Angeles, CA 90069



SKU
ZGBSP3636

Description
36" X36" X 1" SHOWER PAN W/DRAIN

Date
July 1, 2022

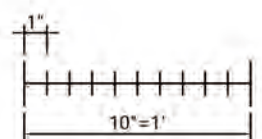
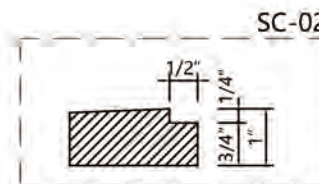
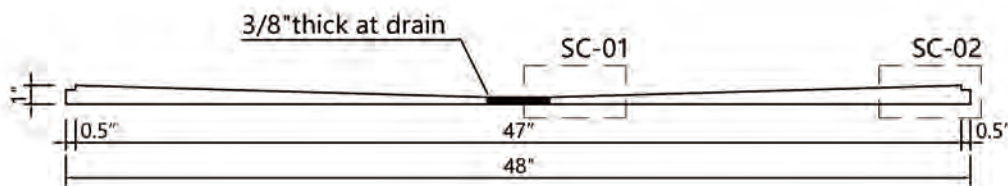
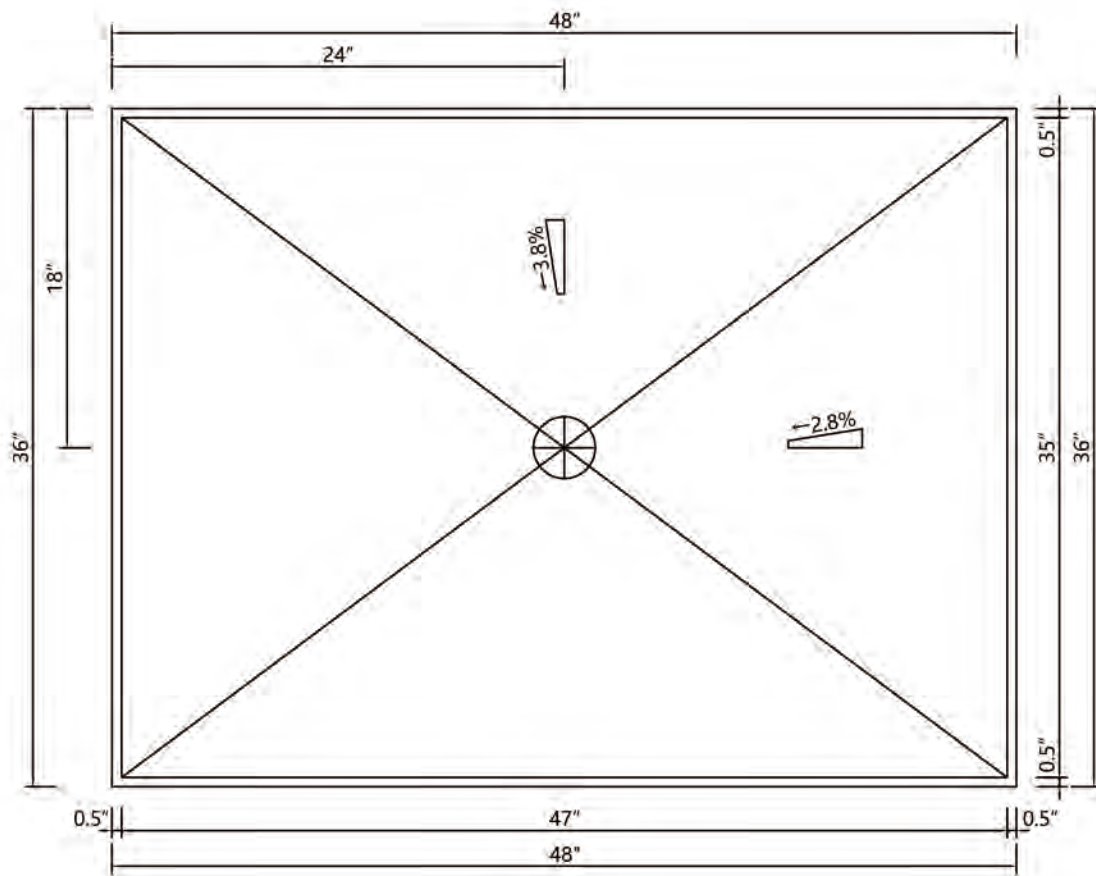
Revision
2022.1

Scale
1:12

Drawing Number
1 of 1

EMPERVIOUS™
RIGID WATERPROOF SHOWER SYSTEM

www.emser.com
8431 Santa Monica Blvd. Los Angeles, CA 90069



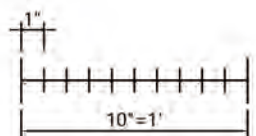
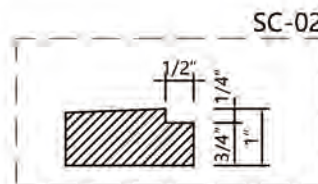
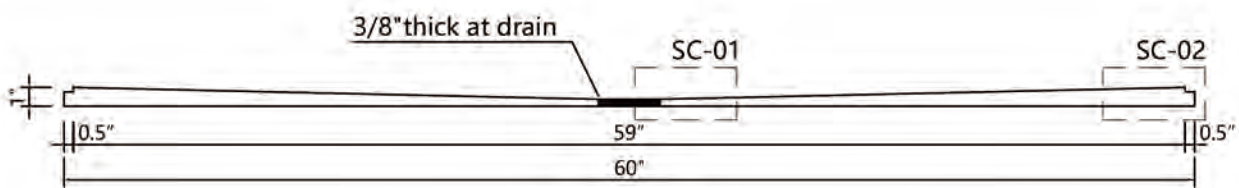
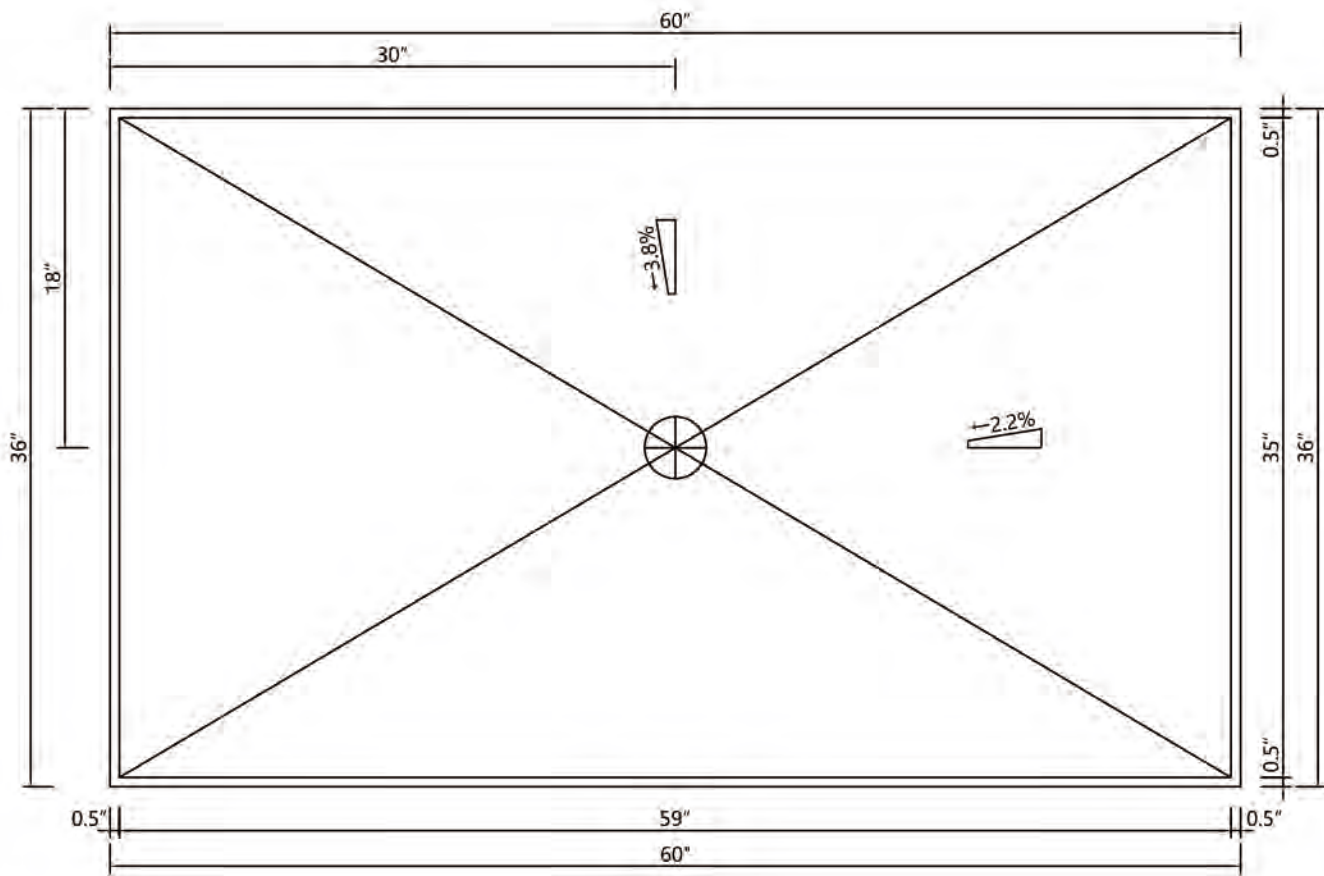
SKU
ZGBSP3648

Description
36" X48"X 1" SHOWER PAN W/DRAIN

EMPERVIOUS™
RIGID WATERPROOF SHOWER SYSTEM

Date July 1, 2022	Revision 2022.1	Scale 1:12	Drawing Number 1 of 1
----------------------	--------------------	---------------	--------------------------

www.emser.com
8431 Santa Monica Blvd. Los Angeles, CA 90069



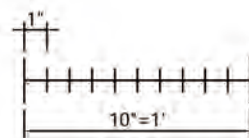
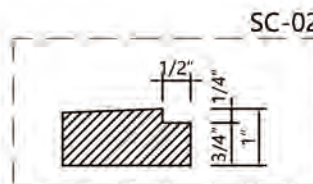
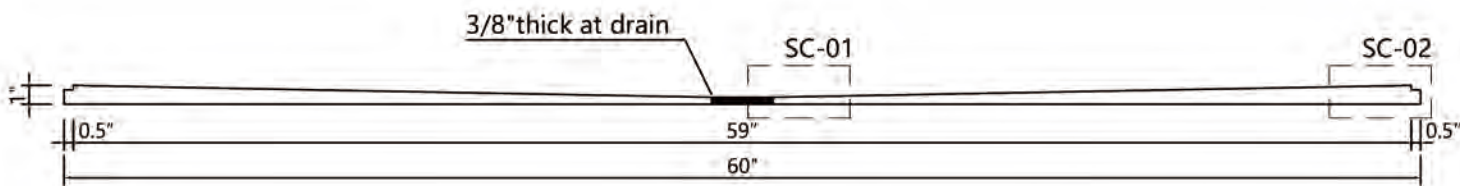
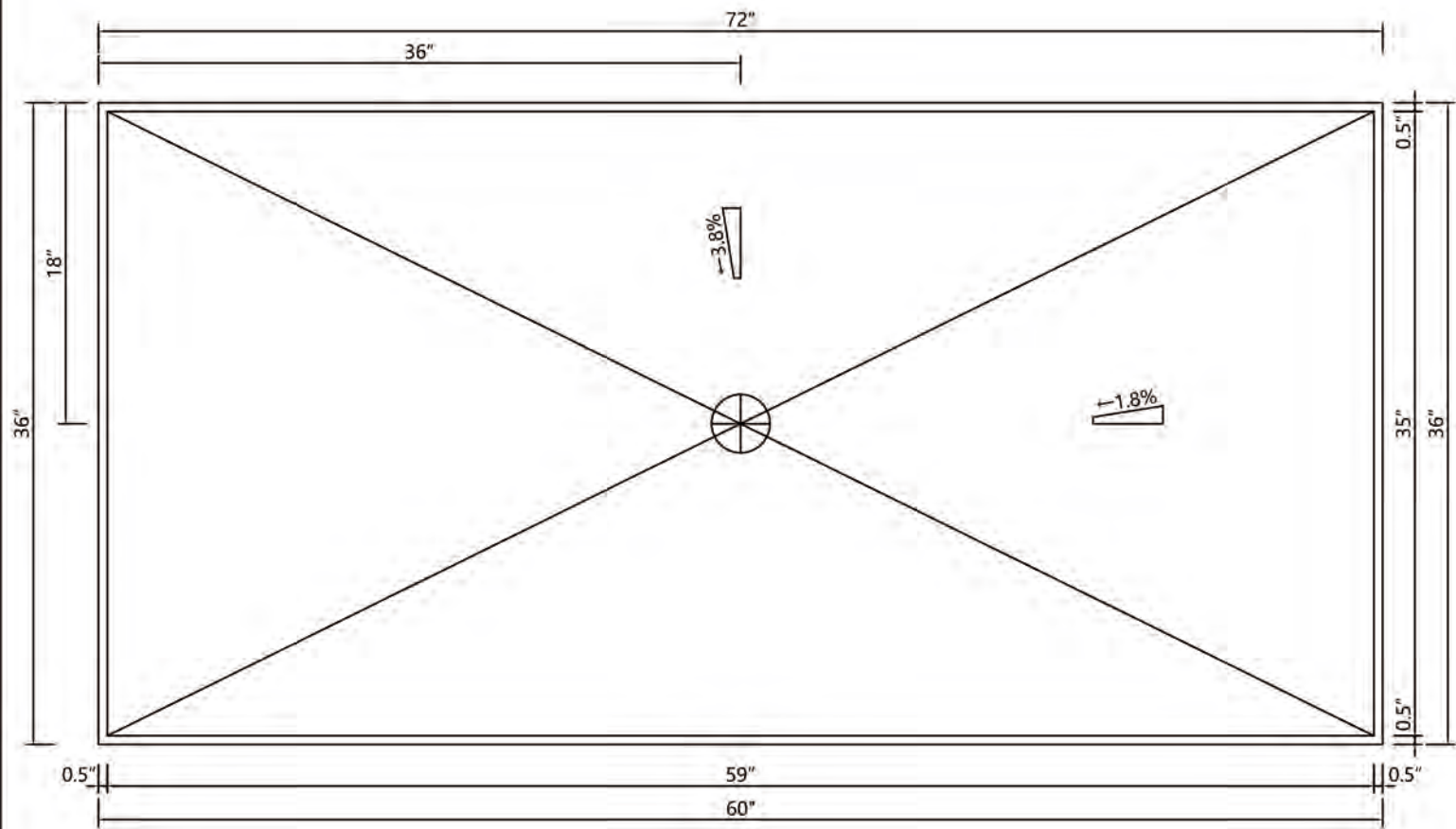
SKU
ZGBSP3660

Description
36" X60" X 1" SHOWER PAN W/DRAIN

EMPERVIOUS™
RIGID WATERPROOF SHOWER SYSTEM

Date July 1, 2022	Revision 2022.1	Scale 1:12	Drawing Number 1 of 1
----------------------	--------------------	---------------	--------------------------

www.emser.com
8431 Santa Monica Blvd. Los Angeles, CA 90069



SKU
ZGBSP3672

Description
36" X 72" X 1" SHOWER PAN W/DRAIN

EMPERVIOUS
RIGID WATERPROOF SHOWER SYSTEM

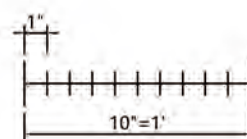
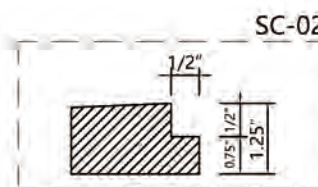
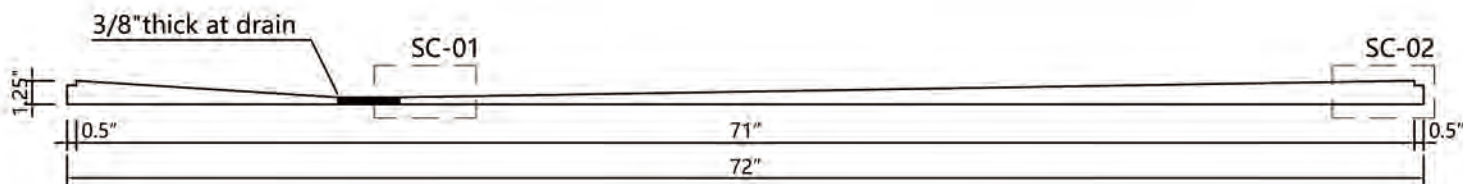
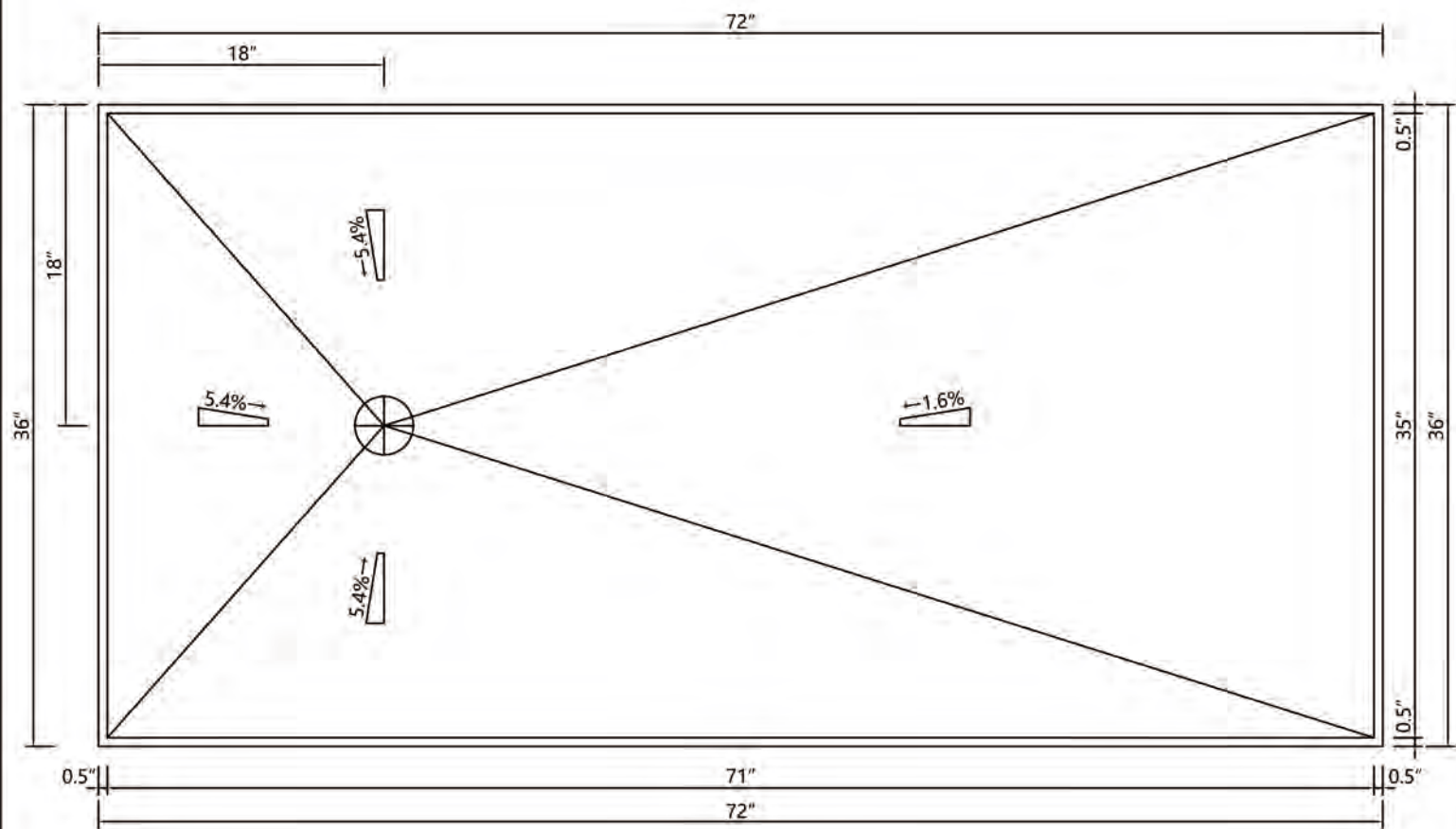
Date
July 1, 2022

Revision
2022.1

Scale
1:12

Drawing Number
1 of 1

www.emser.com
8431 Santa Monica Blvd. Los Angeles, CA 90069



SKU
ZGBSP3672OD

Description
36" X 72 X 1-1/4" SHOWER PAN W/DRAIN OFFSET

Date
July 1, 2022

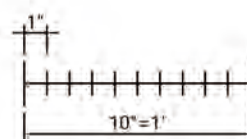
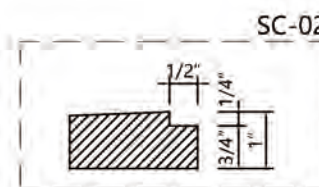
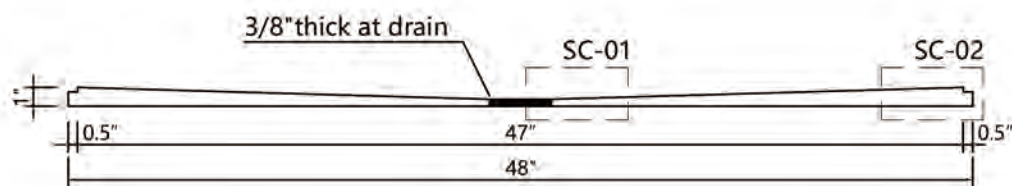
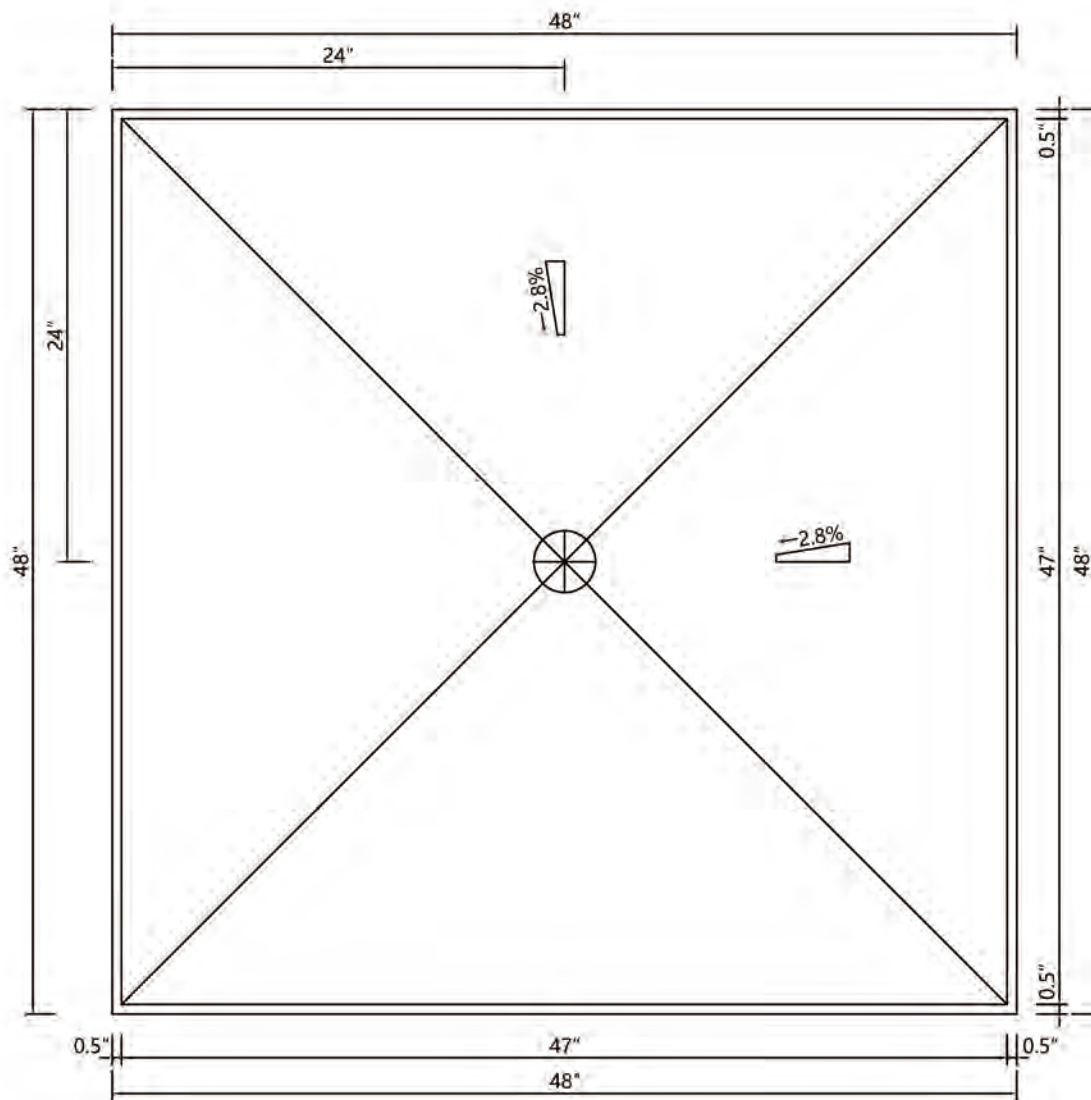
Revision
2022.1

Scale
1:12

Drawing Number
1 of 1

EMPERVIOUS™
RIGID WATERPROOF SHOWER SYSTEM

www.emser.com
8431 Santa Monica Blvd. Los Angeles, CA 90069



SKU
ZGBSP4848

Description
48" X 48" X 1" SHOWER PAN W/DRAIN

EMPERVIOUS™
RIGID WATERPROOF SHOWER SYSTEM

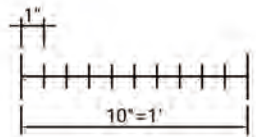
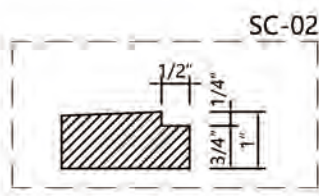
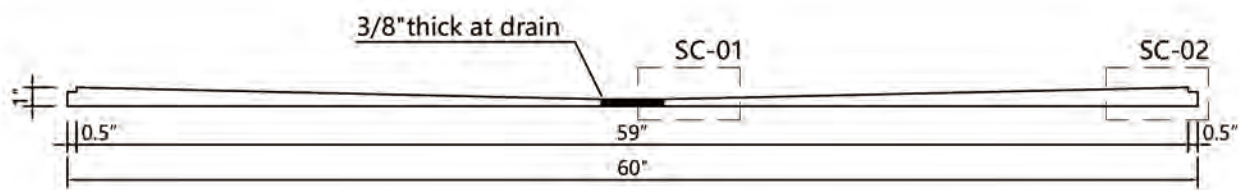
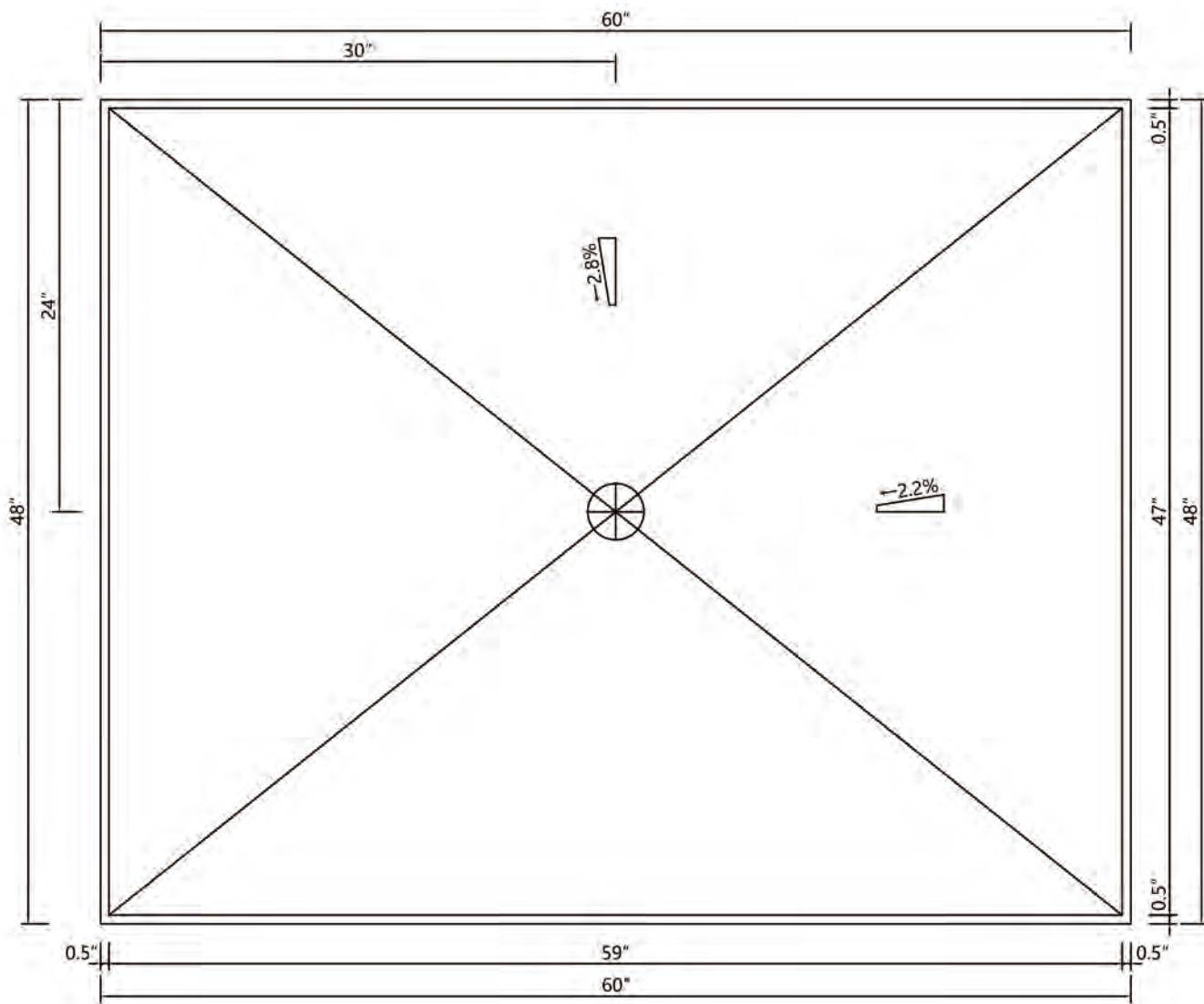
Date
July 1, 2022

Revision
2022.1

Scale
1:12

Drawing Number
1 of 1

www.emser.com
8431 Santa Monica Blvd, Los Angeles, CA 90069



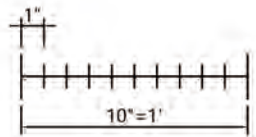
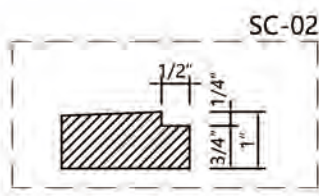
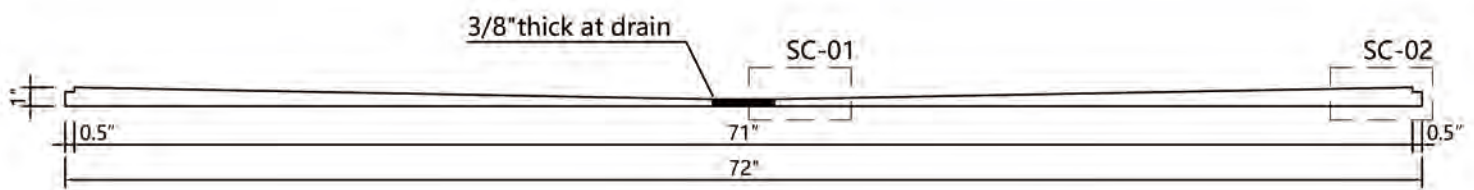
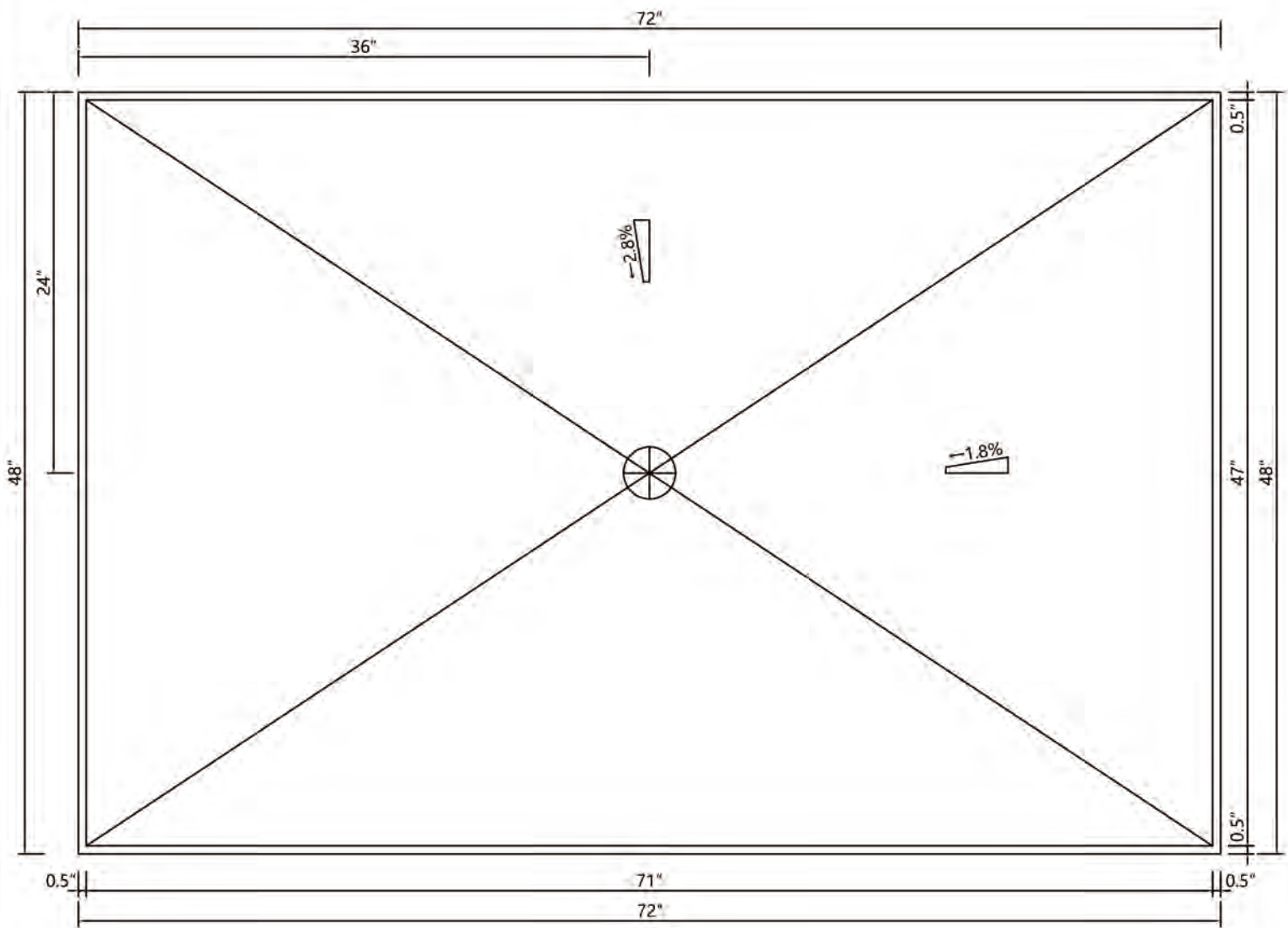
SKU
ZGBSP4860

Description
48" X 60" X 1" SHOWER PAN W/DRAIN

EMPERVIOUS™
RIGID WATERPROOF SHOWER SYSTEM

Date July 1, 2022	Revision 2022.1	Scale 1:12	Drawing Number 1 of 1
----------------------	--------------------	---------------	--------------------------

www.emser.com
8431 Santa Monica Blvd, Los Angeles, CA 90069



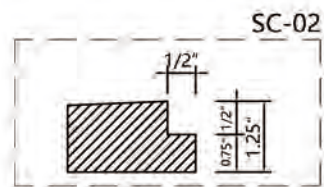
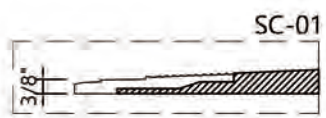
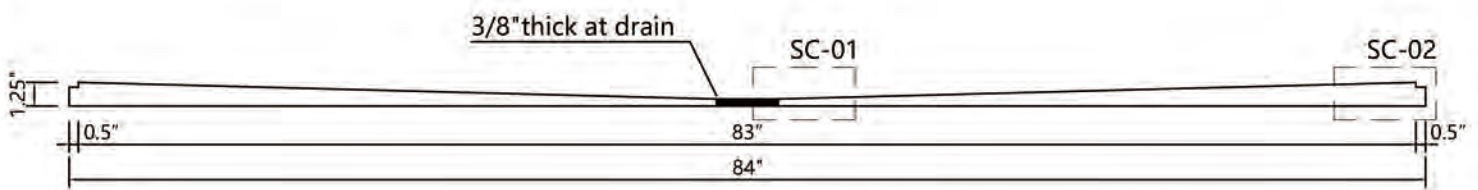
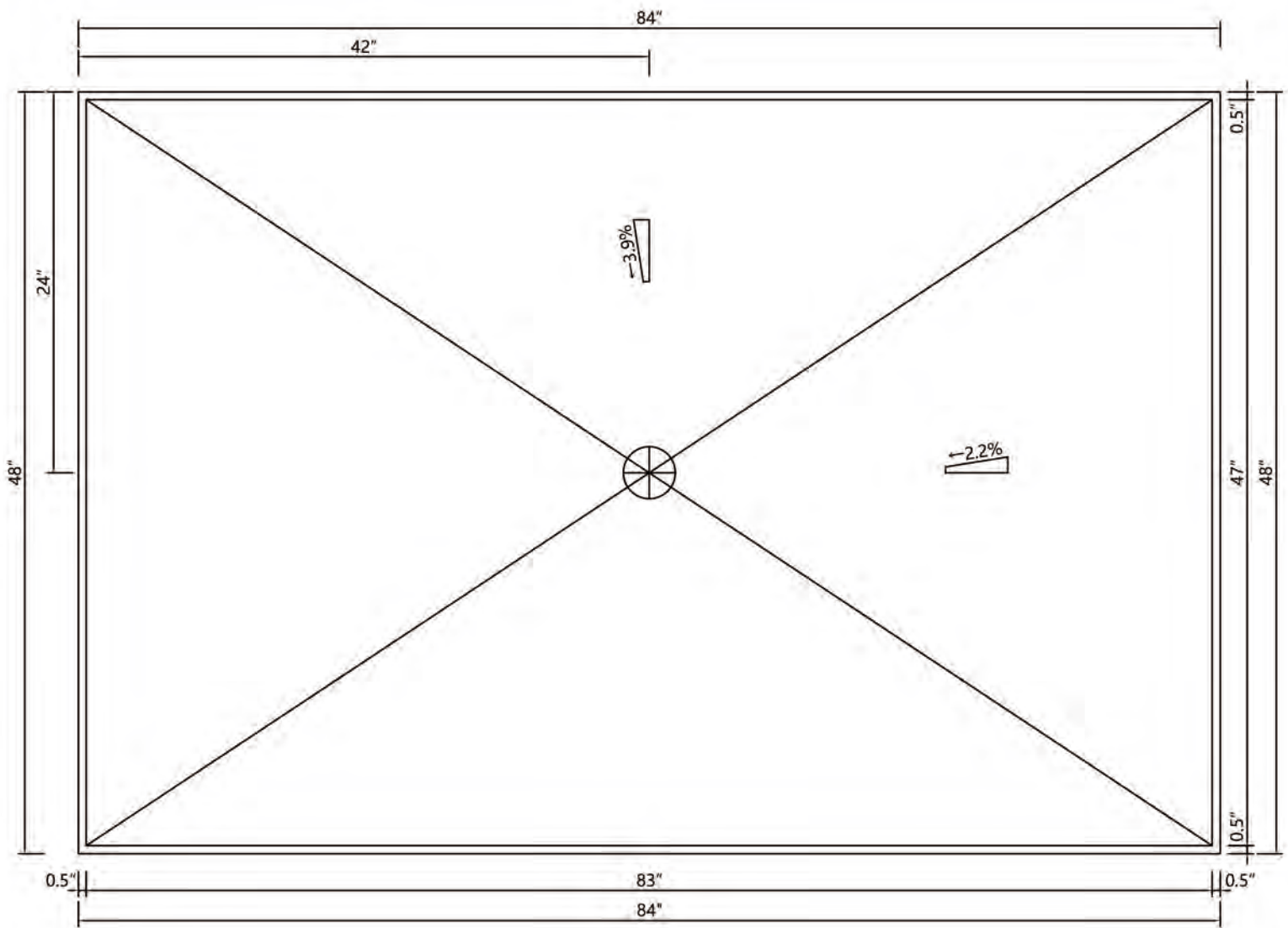
SKU
ZGBSP4872

Description
48" X 72" X 1" SHOWER PAN W/DRAIN

EMPERVIOUSTM
RIGID WATERPROOF SHOWER SYSTEM

Date July 1, 2022	Revision 2022.1	Scale 1:12	Drawing Number 1 of 1
----------------------	--------------------	---------------	--------------------------

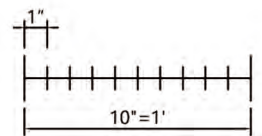
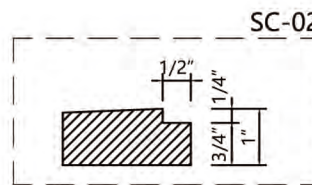
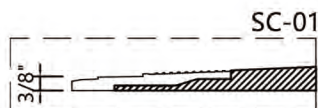
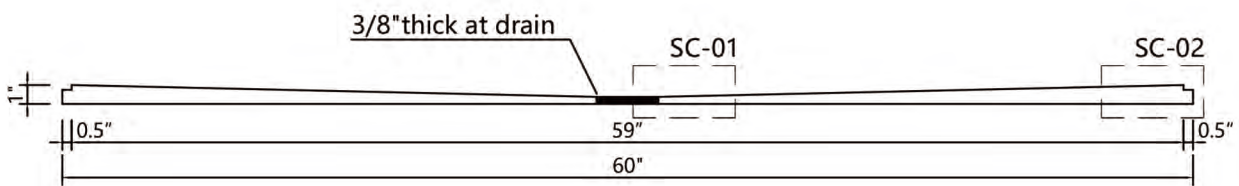
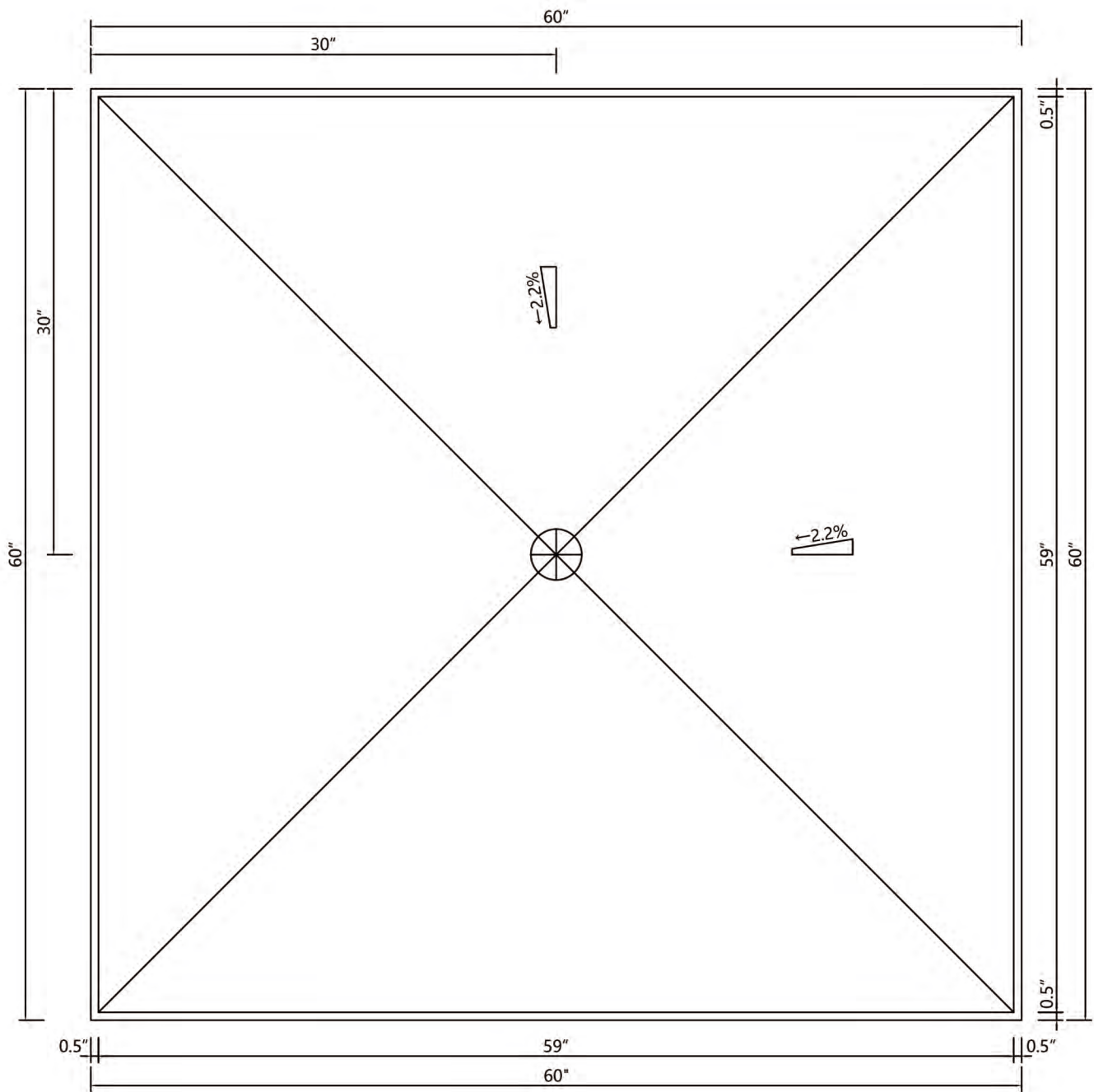
www.emser.com
8431 Santa Monica Blvd. Los Angeles, CA 90069



SKU ZGBSP4884			
Description 48" X 84" X 1-1/4" SHOWER PAN W/DRAIN			
Date July 1, 2022	Revision 2022.1	Scale 1:12	Drawing Number 1 of 1

EMPERVIOUS™
RIGID WATERPROOF SHOWER SYSTEM

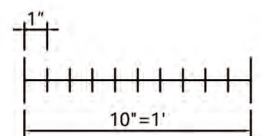
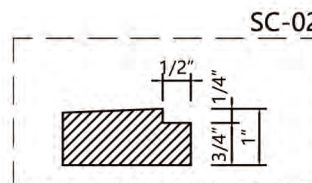
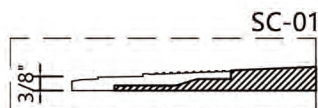
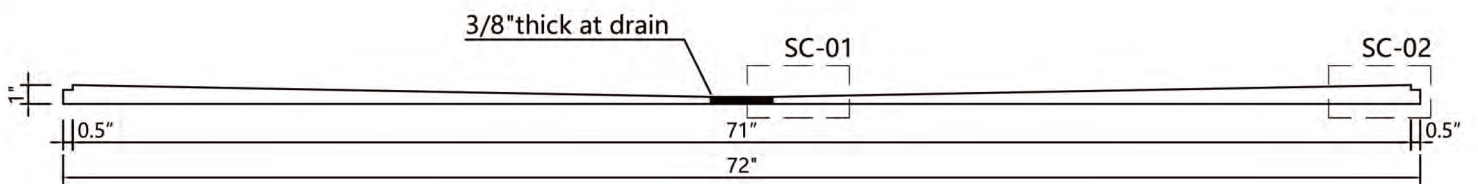
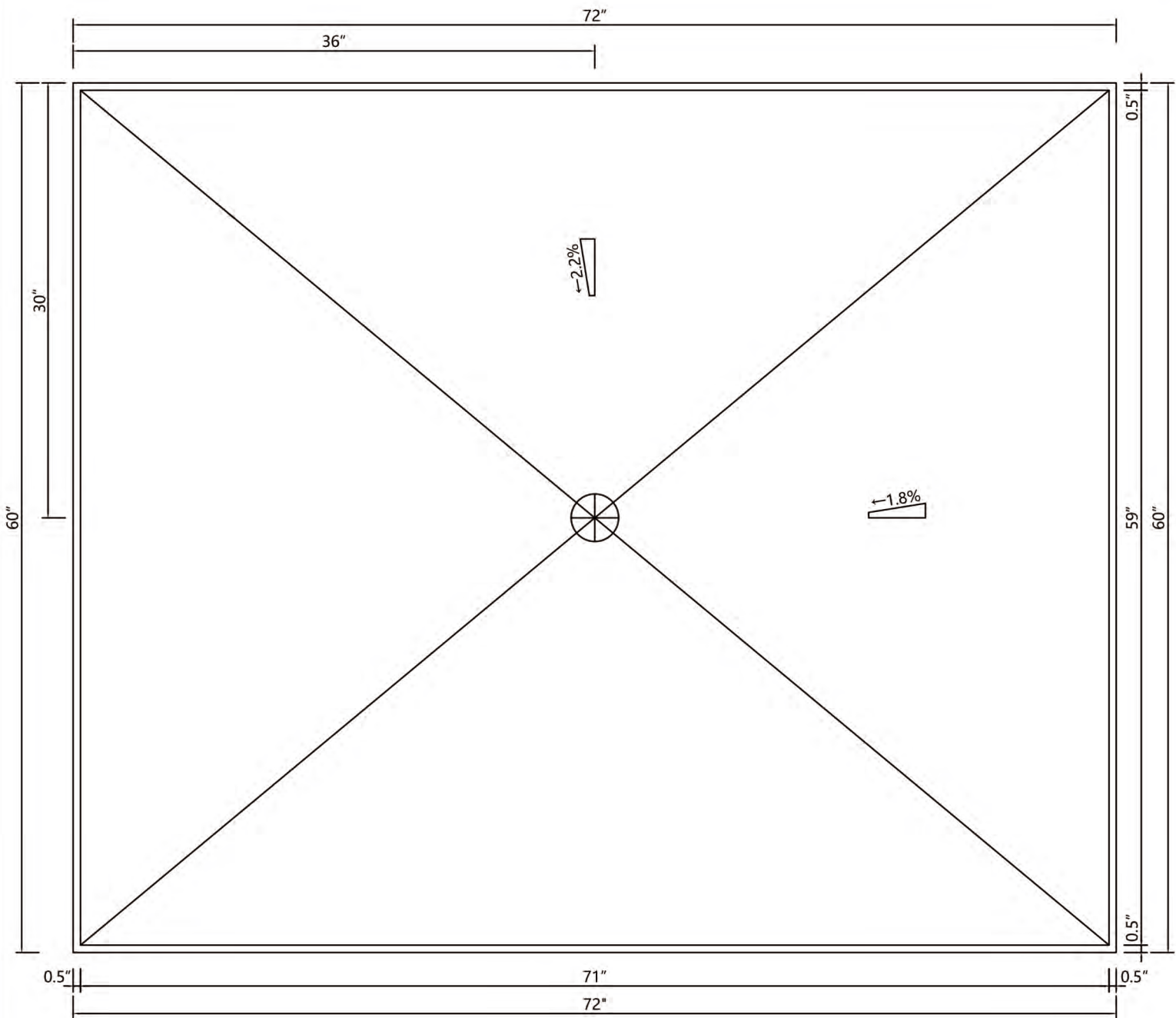
www.emser.com
8431 Santa Monica Blvd. Los Angeles, CA 90069



SKU ZGBSP6060			
Description 60" X 60" X 1" SHOWER PAN W/DRAIN			
Date July 1, 2022	Revision 2022.1	Scale 1:12	Drawing Number 1 of 1

EMPERVIOUS™
RIGID WATERPROOF SHOWER SYSTEM

www.emser.com
8431 Santa Monica Blvd. Los Angeles, CA 90069



SKU

ZGBSP6072

Description

60" X 72" X 1" SHOWER PAN W/ DRAIN

EMPERVIOUS™
RIGID WATERPROOF SHOWER SYSTEM

Date

July 1, 2022

Revision

2022.1

Scale

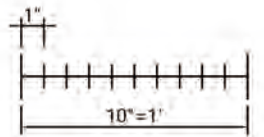
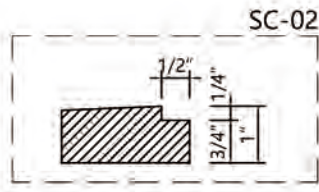
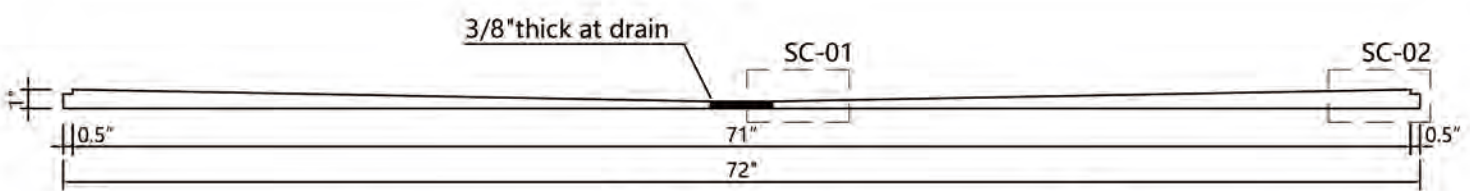
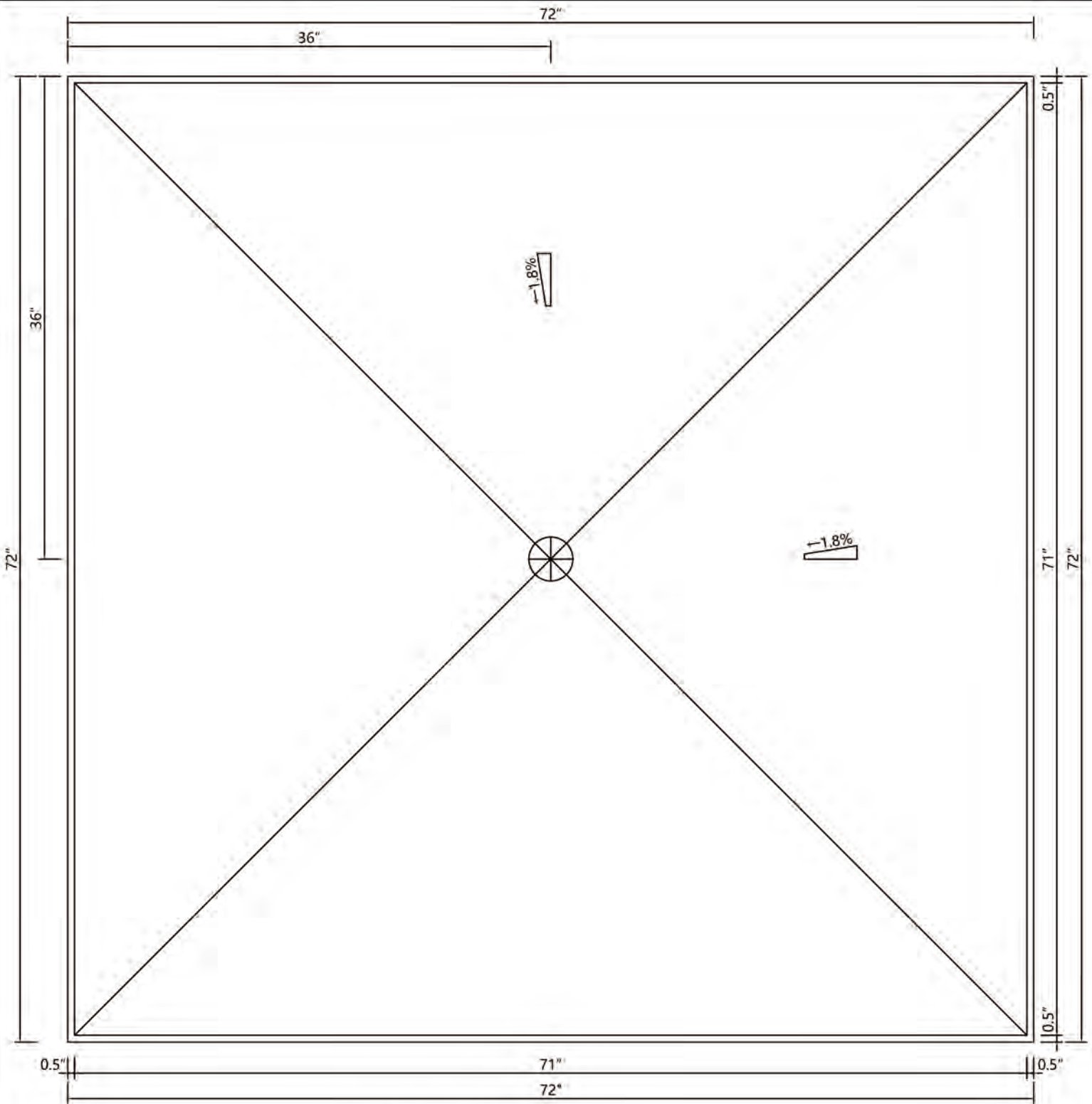
1:12

Drawing Number

1 of 1

www.emser.com

8431 Santa Monica Blvd. Los Angeles, CA 90069



SKU ZGBSP7272			
Description 72" X 72" X 1" SHOWER PAN W/DRAIN			
Date July 1, 2022	Revision 2022.1	Scale 1:12	Drawing Number 1 of 1

EMPERVIOUS™
RIGID WATERPROOF SHOWER SYSTEM

www.emser.com
8431 Santa Monica Blvd. Los Angeles, CA 90069