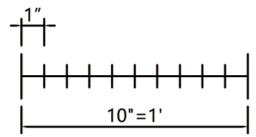
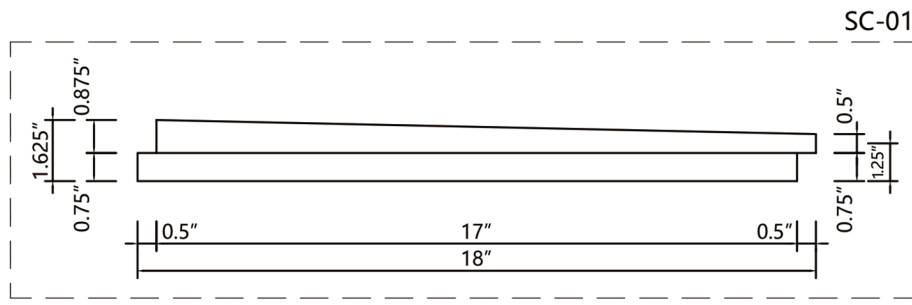
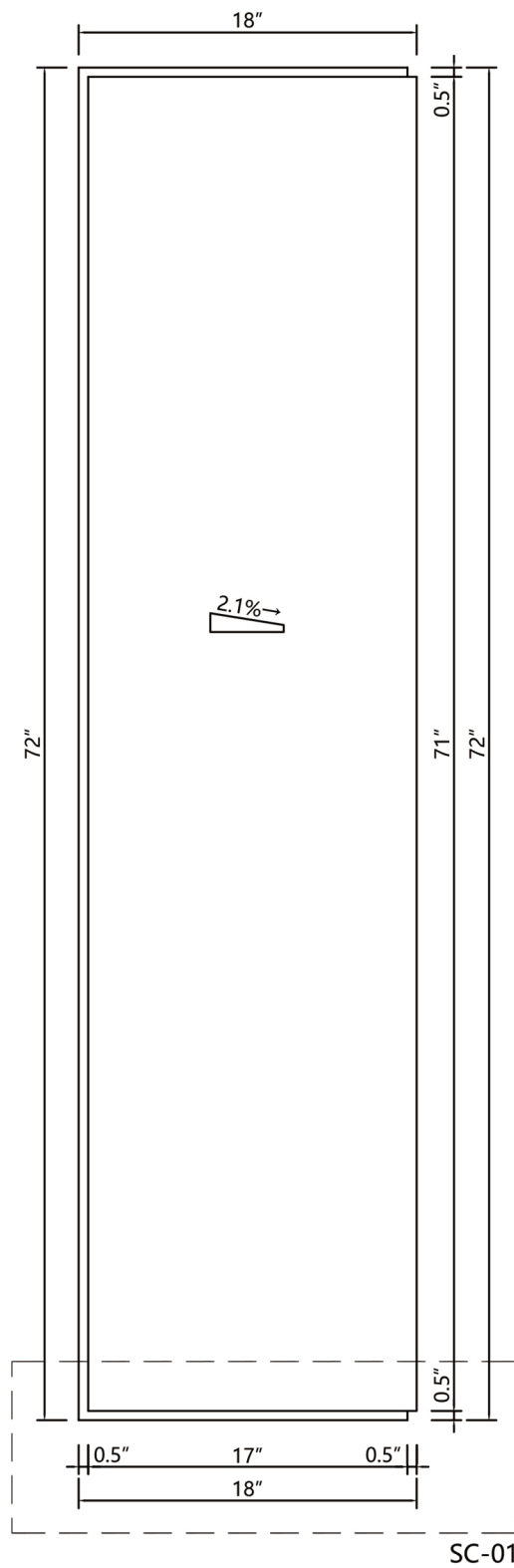


SKU <b>ZGBEXT1872</b>			
Description <b>PRESLOPED 18" X72" PAN EXTENSION</b>			
Date July 1, 2022	Revision 2022.1	Scale 1:12	Drawing Number 1 of 1

**EMPERVIOUS™**  
RIGID WATERPROOF SHOWER SYSTEM

[www.emser.com](http://www.emser.com)  
8431 Santa Monica Blvd. Los Angeles, CA 90069



SKU <b>ZGBEXT1872TH</b>			
Description <b>PRESLOPED 18" X 72" PAN EXTENSION THICK</b>			
Date July 1, 2022	Revision 2022.1	Scale 1:12	Drawing Number 1 of 1

**EMPERVIOUS™**  
RIGID WATERPROOF SHOWER SYSTEM

[www.emser.com](http://www.emser.com)  
8431 Santa Monica Blvd. Los Angeles, CA 90069