

EMPERVIOUS™

RIGID WATERPROOF SHOWER SYSTEM

SHOWER PAN EXTENSION INSTALLATION GUIDE

Installation Tools and Materials Required

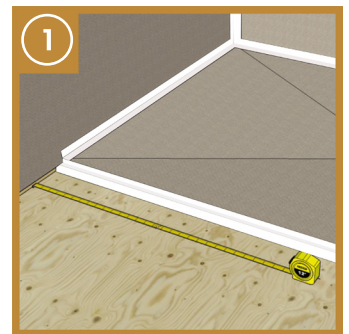
- Putty knife and mesh tape (included with Empervious shower pans)
- Tape measure & fine point marker
- Level, straight edge, and utility knife
- Empervious Shower System joint sealant¹
- Empervious Sausage Gun or caulk gun for joint sealant
- 5 Gallon plastic bucket, sponge, and drill with mixing paddle
- Modified thinset and 3/8" minimum notch trowel
- 7 1/4" Circular saw with a standard wood blade
- Cleaning supplies (recommended: paper towels, citrus wipes, rags, dust pan and brush)

Before starting, ensure the proper extension was selected based on shower pan size. The standard extension (ZGBEXT1872) is for use with all center drain pans except those with a side greater than 84". The thick extension (ZGBEXT1872TH) is required for use with any off-set drain configuration and pans over 84".

Step 1

After fully installing your Empervious Shower pan, prepare the area for the extension. Measure the area for the pan extension and determine if any cutting will be required.

[fig. 1]

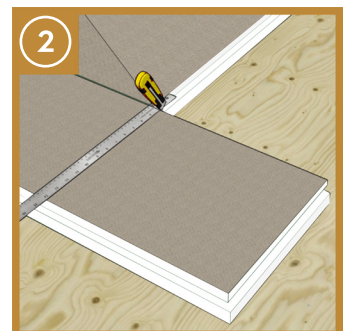


Step 2

Cut the pan extension to the required size and dry fit the extension into place. [fig. 2]

Hint: If the pan extension is on the outside of the shower, this is a good time to mark the edge of the pan on the floor as the boundary where you will apply the thinset.

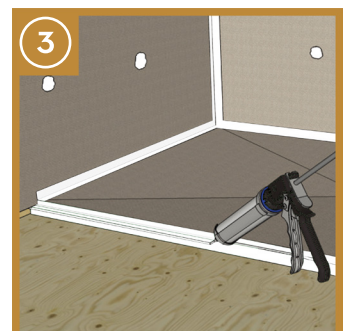
If you need to cut the extension, you'll have to cut the notch back into the bottom of the pan extension as needed to fit into the notch on the pan. See the Empervious Shower System Installation Guide (See Step 3) provided with the shower pan for details on recutting the notch or visit EmperviousSystems.com.



Note: for very large showers requiring multiple extensions you'll need to place wall board underneath the additional extensions in order to match the slope height. This is also referred to as "shimming".

Step 3

Apply a 1/2" solid bead of joint sealant along the shower pan notch and the front edge of the shower pan where the extension will be. [fig. 3]



¹ Recommended joint sealant is SikaFlex 11FC. Failure to use recommended joint sealant will negate warranty.

Step 4

Mix your choice of polymer modified thinset according to the manufacturer's instructions. Apply thinset to the floor with a minimum $\frac{3}{8}$ " x $\frac{3}{8}$ " notched trowel. Make sure the trowel lines are pulled straight towards the front side of the shower opening and that the trowel lines do not cross. This ensures that air can escape creating a more even bond.

[fig. 4a] [fig 4b]

Apply a thin layer of thinset to the back of the pan and smooth out with the straight edge of the trowel. This is also referred to as "back-buttering"

Note: Be careful that the joint sealant and thinset do not mix as this may compromise the curing process. Fix any areas where this may have happened and re-apply joint sealant/ thinset before adhering extension into place.

Step 5

Place the extension into position leading with the front edge and pressing firmly into the pan as you lower the pan extension into place. [fig. 5]

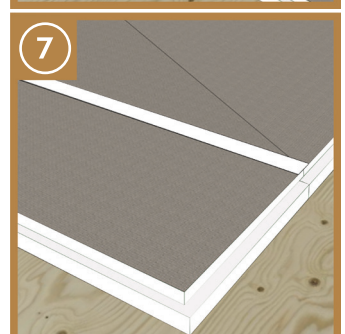
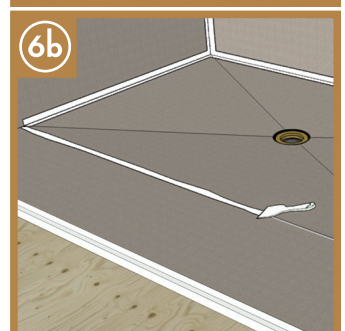
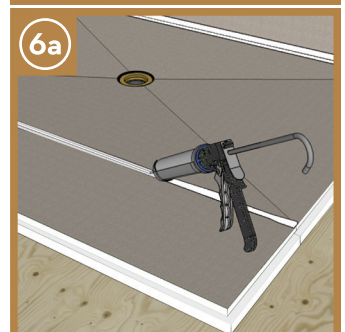
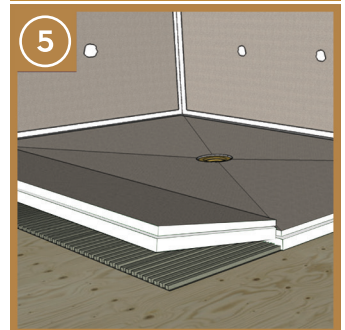
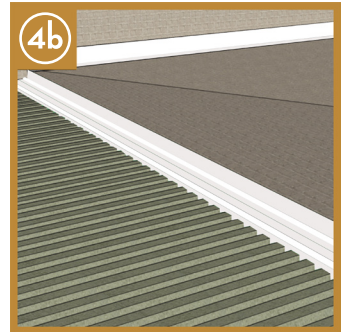
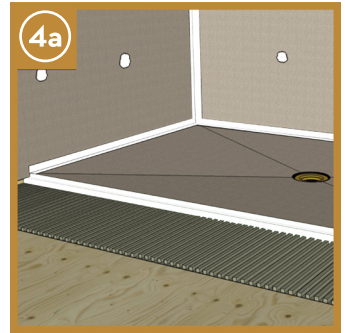
When the extension is in position push it into the pan to ensure it is fully seated into the notch. Push pan extension firmly to the floor and gently step or press on it in several places until it is completely seated into the thinset. It is recommended to apply weight for 30 minutes to ensure even adhesion.

Step 6

Smooth out any extra joint sealant and apply a generous amount of additional joint sealant along the entire seam between the pan and extension. Smooth the joint sealant out with a putty knife ensuring at least 1" coverage on each side of the seam. [fig. 6a] [fig. 6b]

Step 7

Cut a strip of mesh tape about 2" shorter than the seam and place over the top of the wet joint sealant. Add another $\frac{1}{2}$ " solid bead of joint sealant on top of the mesh tape and smooth out with a putty knife. [fig. 7]



For Shower Curb installation instructions or Curb-less Shower Installation Instructions, please visit our website EmperviousSystems.com or Scan Here.