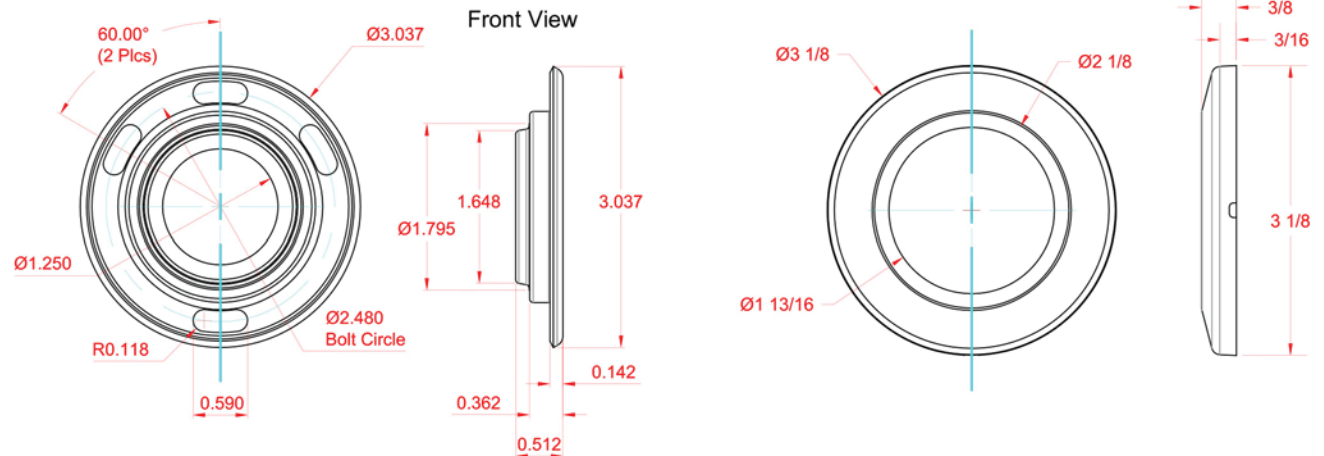


MATERIALS

- 16" x 16" Wedge Bar (both ends straight)
- 1-1/4" Dia. x 18ga. Stainless Steel Tubing
- Post: 1-1/4" Dia. x 18ga. Stainless Steel
- Mounting Flange: 3" Dia., 14ga. Stainless Steel
- Concealed Snap-On Cover: 22ga. Stainless Steel
- Welded End-Caps (both ends)
- Polished Stainless Finish



Grab Bars meet or exceed all applicable federal load specifications when properly installed.