

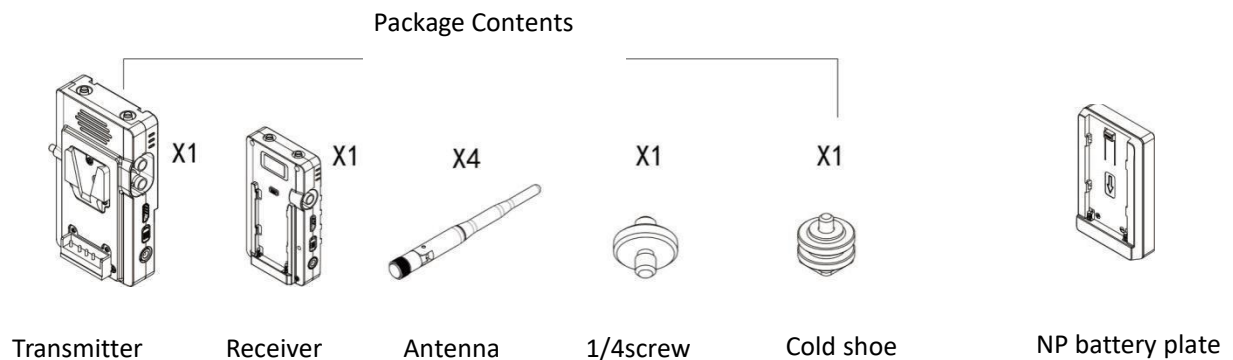
CRYSTAL-V Wireless Video System

Thank you for purchasing the CAME-TV Crystal-V wireless video Transmission system. This product adopts the latest image encoding and decoding technology and 5G transmission technology to achieve ultra-low delay effect. It supports both HDMI and SDI input and output, and outdoor distances up to 100 meters (328 feet).

Product Features:

1. The transmitter supports SDI loop out, which is convenient for the camera operator to install the screen for monitoring.
2. V-mount battery can be used. It can be mounted to a V-mount plate, providing power for both transmitter and camera.
3. The receiver supports HDMI and SDI output screen switching, or display simultaneously. Mobile phones and tablets can monitor video images with apps (both for Apple and Android devices).

Product List



Specification:

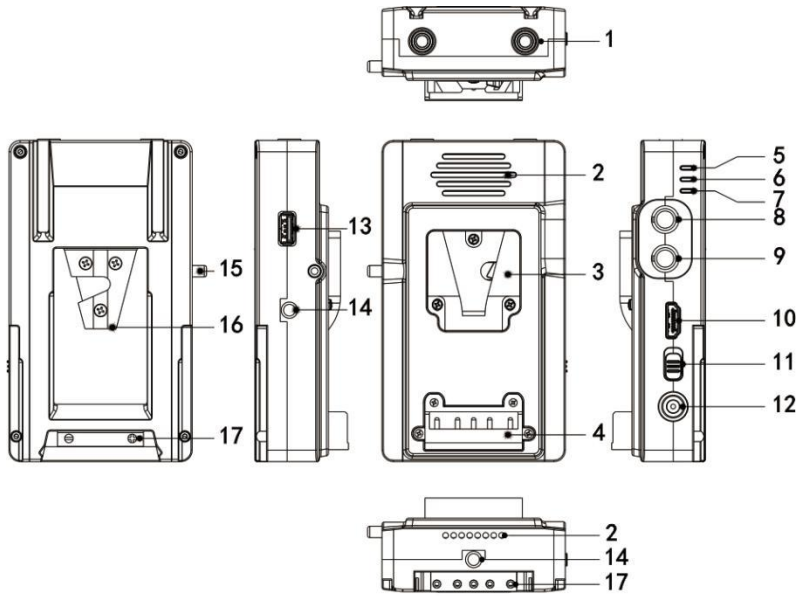
Product	Transmitter	Receiver
Frequency	5.180GHz-5.805GHz	
Antenna	4DB knife-like dual antenna	

Network Bandwidth	10M	
Power Interface	DC2.1, 7-24V	
USB Port	Output DC voltage 5V-2A	/
SDI/HDMI Channel Switch	/	Short press 'Channel' button about 1S to switch HDMI、SDI、HDMI&SDI, 3 different Channels
Input Branch (Max)	SDI&HDMI input simultaneously	SDI&HDMI output simultaneously
Battery	Support V-mount battery (Support NP battery with adapter plate)	Support NP battery
Working Current	12V 510mA@6.12W	12V 550mA@6.6W
Power Led	Red	
Network Led	Yellow	
Video Led	Blue	
Working Temperature	-10°C~65°C (14°F~140°F)	

The Resolution Supported by the Receiver		
Resolution	Frame	Description
1080P	60	If the resolution exceeds 1080P60, the unified decoding is 1080p@60. Other 1080 resolutions are converted to similar resolutions, such as 59.94 to 60.
1080I	60	
1080P	50	
1080I	50	
1080P	30	
1080P	25	
1080P	24	

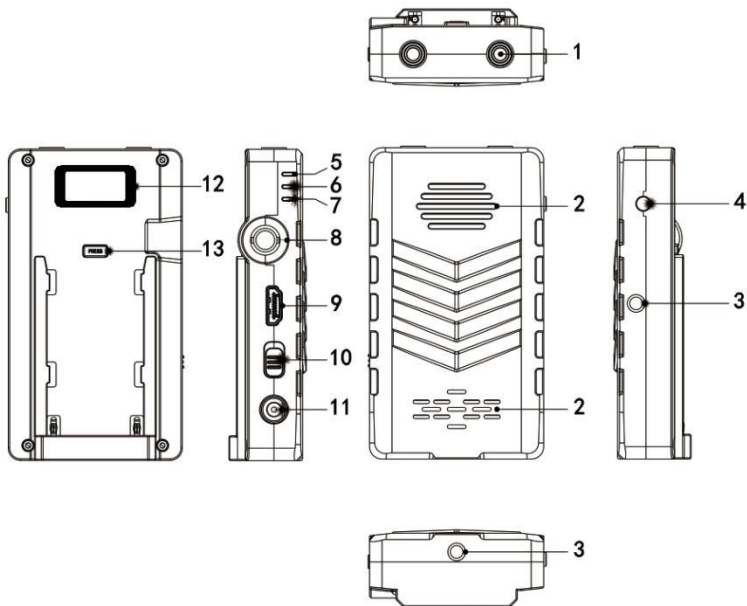
720P	60	Other frames of 720P are decoded into 720P@60
720P	50	
576P	50	
480P	60	

Product Instruction:



Transmitter

1. Antenna port
2. Heat emission hole
3. V-mount battery Locking
4. Battery electrode(male)
5. Network Led
6. Video Led
7. Power Led
8. SDI output
9. SDI input
- 10.HDMI input
- 11.Power Switch
- 12.DC input
- 13.USB
- 14.1/4 screw hole
- 15.V-mount battery lever
- 16.V-mount battery plate
- 17.Battery electrode(female)



Receiver

1. Antenna port
2. Heat emission hole
3. 1/4 screw hole
4. Select Channel Button
- 5.Network Led
- 6.Video Led
7. Power Led
8. SDI Output
9. HDMI Output
- 10.Power Switch
- 11.DC input
- 12.OLED Screen
- 13.Battery press Clasp

General Problems

No picture output on the Receiver

1. Please check whether there is power or low power in the power supply of transmitter and receiver.
2. Whether the antenna is connected well and if the HDMI or SDI cable is intact.
3. Channel selection is correct (for example, the picture transmission screen is input and output by HDMI, but the channel at the Receiver is selected SDI. At this point the video indicator light is on, but there is no picture display at the Receiver, you can simply press the channel selection button to switch to HDMI display).
4. Please check whether the video output format is applicable to this product.

Poor video display

1. Please confirm whether the HDMI cable or SDI cable supports the resolution currently set and whether the quality is acceptable.
2. The transmitter and receiver should be at least 1 meter apart.

CRYSTAL-V APP Installation

1. Download APP

App Store or Google Play by searching CRYSTAL-V to install, or scan below QR code



2. Video transmission system at working status, the receiver will emit a CAME - TV - V WIFI signal, using a mobile phone connection, and then open the APP can receive images.

Note:

When multiple devices are working together at the same time, you can change the channel in the APP Settings --, change the frequency of receivers to different values.

