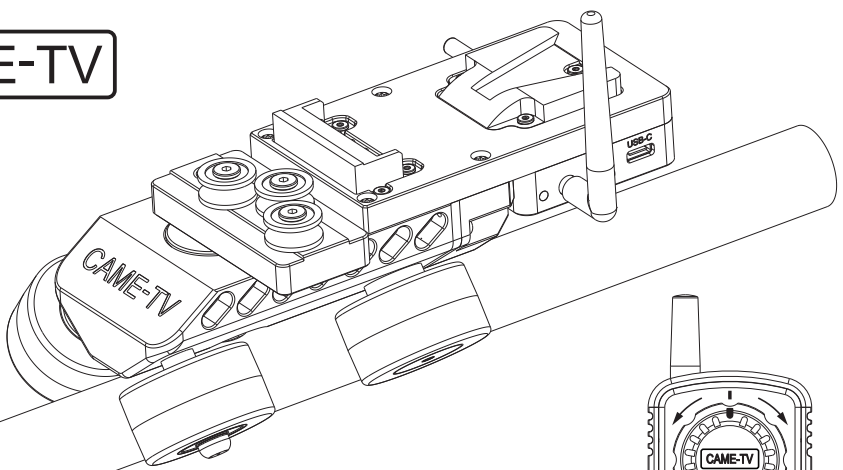
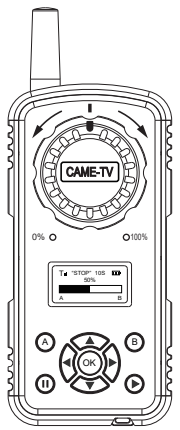


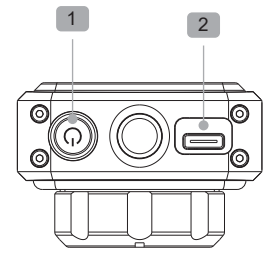
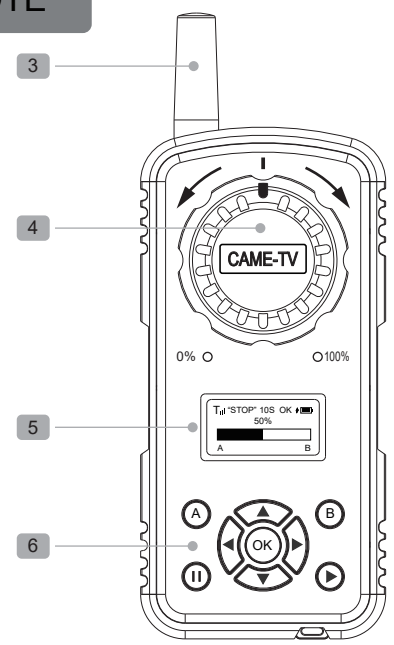
CAME-TV



Power Track Dolly
User Manual



REMOTE



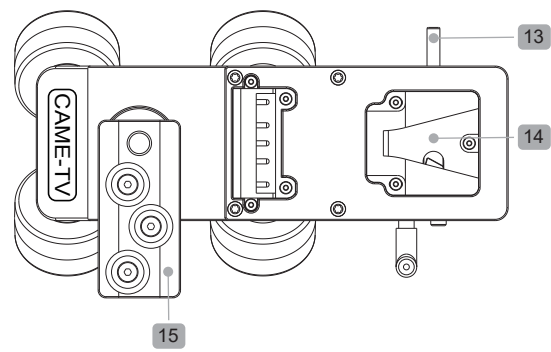
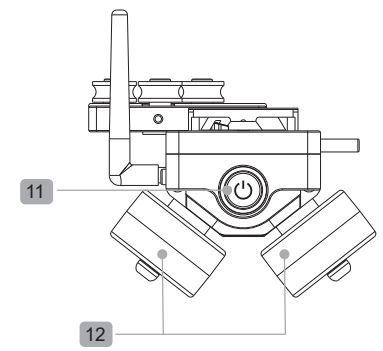
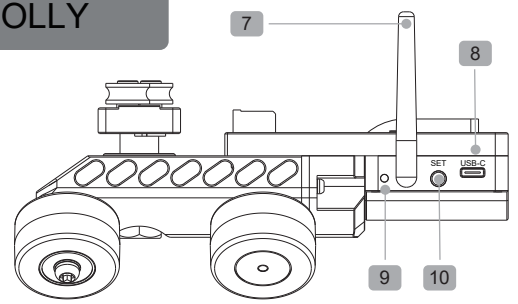
- 1 On /Off Button
- 2 Type-C USB
- 3 Transmit Antenna
- 4 Adjust the Wheel
- 5 Display Screen
- 6 Function Key Area

Parameters

Specification:
 Frequency:2.4G
 Transmitter:Built-in 3.7v/1000mah Battery
 Receiver:External battery rated voltage 14.8v
 Max.Payload:20KG
 Max.Speed:11s/m
 Min.Speed:160s/m
 Movement Distance:Unlimited
 Rail diameter:25mm

FC CE RoHS
MADE IN CHINA

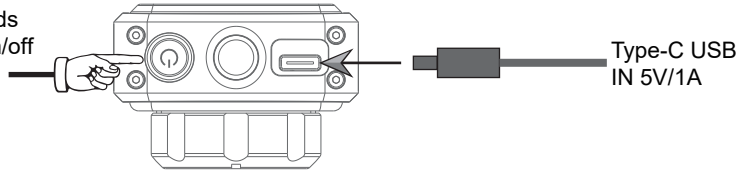
DOLLY



- 7 Receiver Antenna
- 8 Type-C USB
- 9 Indicator Light
- 10 Wireless Pair Button
- 11 On / Off Button
- 12 Power Drive Wheel
- 13 V-mount Battery Lock
- 14 V-mount Battery Plate
- 15 Dolly Connector

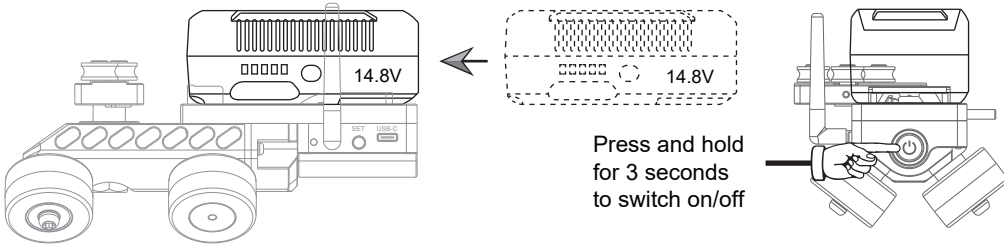
Controller charging and receiver battery installation

Press and hold for 3 seconds to switch on/off



Type-C USB IN 5V/1A

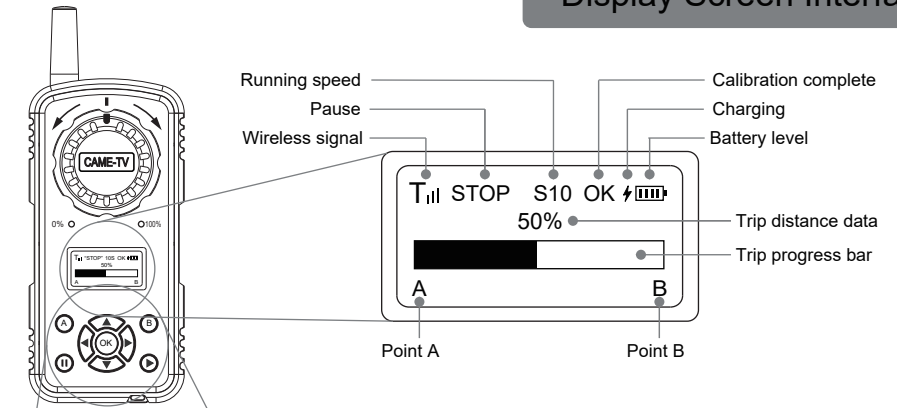
Important: Please correctly select the Type-C USB data cable and the adapter with 5V/1A to charge the controller, otherwise it is easy to cause bad or serious consequences!



Press and hold for 3 seconds to switch on/off

Important: Please correctly select the 12V--16.8V V mount Battery for photography to supply power to the device, otherwise it is easy to cause bad or serious consequences!

Display Screen Interface

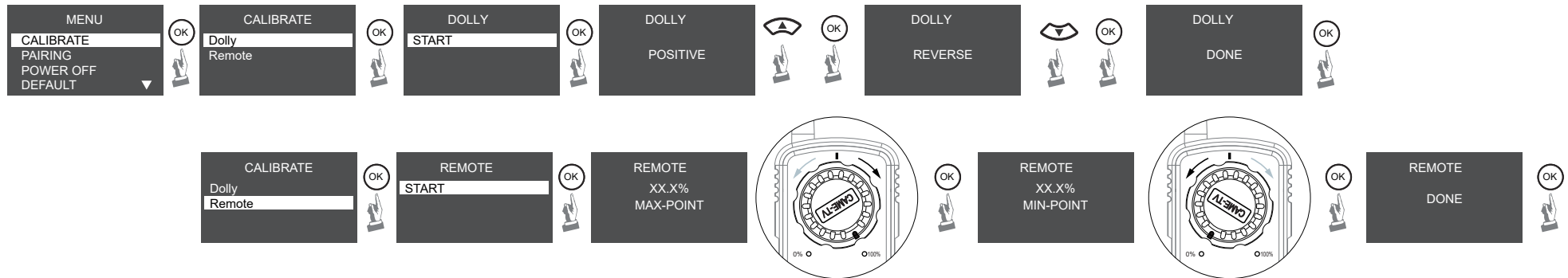


Function button

- | | | | |
|--|-----------------------|--|------------------------|
| | Point A | | Menu Up / Speed Up |
| | Point B | | Menu Down / Speed Down |
| | Pause | | Menu Confirmation |
| | Start | | Menu Back |
| | Menu and Confirmation | | |

Operation Instructions

* The remote and dolly are paired at the factory and ready for use when they are powered on. They can be connected automatically and no need to pair again.



CALIBRATE: **1.Receiver Calibration:** Press OK to display START, then press OK to display POSITIVE, long press or short press the menu up button. Control the receiver to run in the positive direction to the desired position or the positive limit position and stop. That is to confirm that the point is the forward limit position. Press the OK key to display REVERSE to enter the reverse stroke setting. Then long press or short press the menu down button to control the receiver to run in the reverse direction to the desired position or the reverse limit position and stop. That is to confirm that the current position is the reverse limit position. Short press the OK key to display DONE and then OK again to set successfully and return to the main menu interface.)

2.Emitter Calibration: Press the OK key to display START and then press the OK key to display MAX-POINT. Turn the handwheel clockwise to the maximum limit and stop. Then press the OK key, display MIN-POINT. At this time reverse Turn the handwheel clockwise to the minimum limit and stop. Then press the OK key to display DONE and press the OK key to return to the main menu. The setting should be set after this process.

PAIRING: **1.CONNECT:** To pair the transmitter with the receiver, Press the receiver pairing button for more than 3 seconds to enter the pairing mode. At this time, the transmitter enters the CONNECT interface. Select START. If the interface displays Connect, it means that the transmitter is in pairing mode. When the interface displays Connect.....->OK, it means the pairing is successful.

2.CHANNEL: To avoid interferences, when the signal is bad, press the up or down button to modify the channel, the channel modification range is 20~36.

POWER OFF: Auto stand-by and sleep mode: 10 minutes, 30 minutes, 60 minutes, never off

DEFAULT: Restore the factory default Settings, but the calibration process of the receiver will remain unchanged.

ABOUT: Display the firmware version number of the transmitter and receiver. If the receiver is not connected, the receiver part will display "Unknown".