



# CUSTOM ORDER FORM TILE-BASIN® (TB103-R)

**IMPORTANT:** Please read the following instructions before proceeding with your order.

ANY/ALL custom order forms submitted to KBRS must be completed by YOU. KBRS Customer Service Members are NOT ALLOWED to complete and/or edit any forms on your behalf. NO EXCEPTIONS.

**STEP 1:** Make sure you have the most recent version of adobe reader. ([Click Here](#) to Download)

**STEP 2:** Save a copy of this order form to your computer.

**STEP 3:** Open your recently saved form, then completely fill out (*Please Note: all "red" fields are required*)

**STEP 4:** Review the KBRS Terms & Conditions ([Click Here](#) to review), then accept the Terms & Conditions.

*I have read and agree to the KBRS [Terms & Conditions](#)*

**STEP 5:** Save and close this form and attach it to an email addressed to: [sales@kbrsinc.com](mailto:sales@kbrsinc.com)

OR you can fill out and send via Fax: (912) 352-4204.

After you have submitted your order form you will be contacted by a KBRS representative within 24 hours. The KBRS representative will then identify themselves, go over your order, and request your payment information.

**FOR SECURITY PURPOSES PLEASE DO NOT EMAIL OR FAX ANY PAYMENT INFORMATION.**

*If you have not been contacted within 24 hours of submitting your order please call: (866) 912-3211*

## SHIPPING INFORMATION:

*Please fill out your shipping information*

FIRST NAME:

LAST NAME:

COMPANY:

JOB/PO NUMBER:

CONTACT PHONE:

ADDRESS 1:

ADDRESS 2:

CITY:

STATE:

ZIP:

EMAIL:

## BILLING INFORMATION:

*Billing is the same as shipping.*

FIRST NAME:

LAST NAME:

COMPANY:

JOB/PO NUMBER:

CONTACT PHONE:

ADDRESS 1:

ADDRESS 2:

CITY:

STATE:

ZIP:

EMAIL:

SUBTOTAL:

ACCESSORIES:

HARDCURB® UPGRADE:

SHIPPING:

TAX:

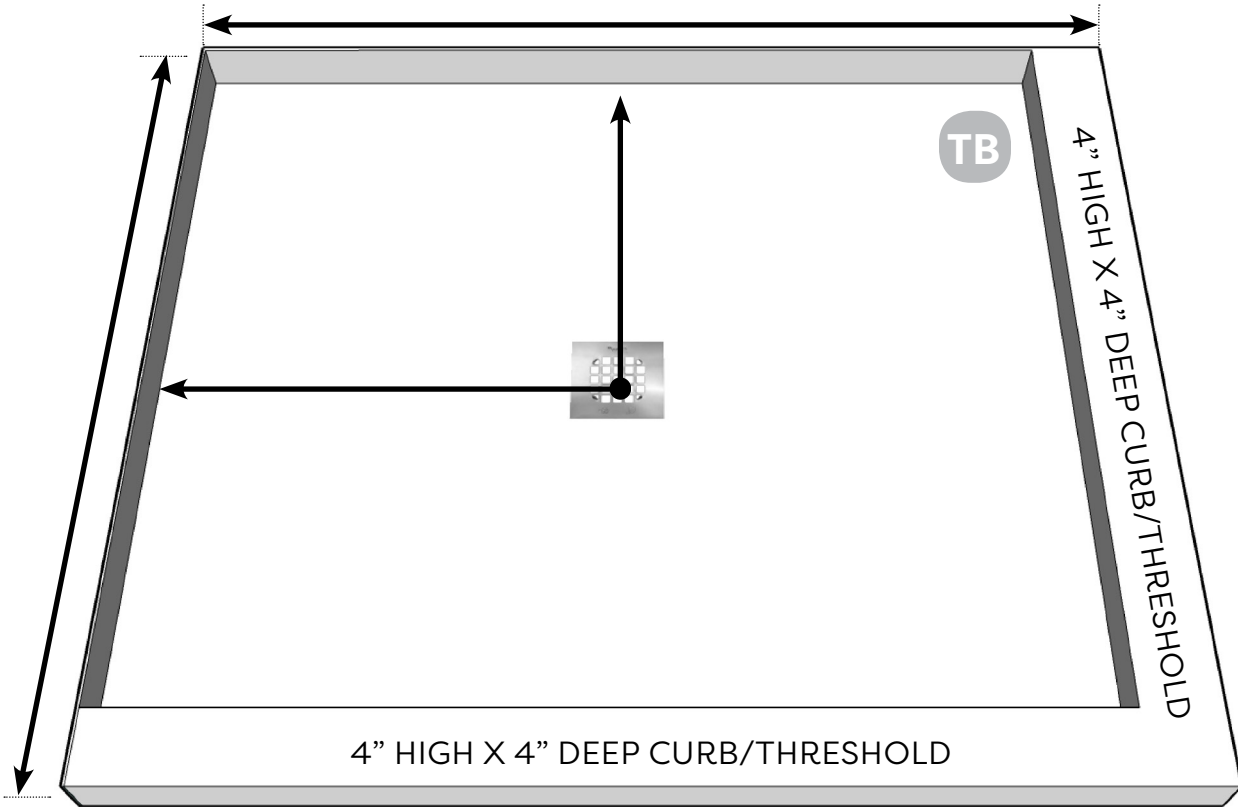
TOTAL:

FIRST NAME:

LAST NAME:

Please indicate the measurements in inches below:

Click Here to View: [How to Measure for Your KBRS Tile-Basin®](#)



Please select curb type:

STANDARD CURB

HARDCURB® UPGRADE

(HardCurb® Upgrades are ideal for anchoring heavy glass shower enclosures)

Please select drain type:

T1 (1/2" height at drain, low profile drain set)

T2 (1" height at drain, generally for deeper drain sets)

CUSTOM DRAIN

YOUR DRAIN MODEL:

Internal Use Only

**SO#**