



CUSTOM ORDER FORM TILE-BASIN® (TB103-L)

IMPORTANT: Please read the following instructions before proceeding with your order.

ANY/ALL custom order forms submitted to KBRS must be completed by YOU. KBRS Customer Service Members are NOT ALLOWED to complete and/or edit any forms on your behalf. NO EXCEPTIONS.

STEP 1: Make sure you have the most recent version of adobe reader. ([Click Here](#) to Download)

STEP 2: Save a copy of this order form to your computer.

STEP 3: Open your recently saved form, then completely fill out (*Please Note: all "red" fields are required*)

STEP 4: Review the KBRS Terms & Conditions ([Click Here](#) to review), then accept the Terms & Conditions.

I have read and agree to the KBRS [Terms & Conditions](#)

STEP 5: Save and close this form and attach it to an email addressed to: sales@kbrsinc.com

OR you can fill out and send via Fax: (912) 352-4204.

After you have submitted your order form you will be contacted by a KBRS representative within 24 hours. The KBRS representative will then identify themselves, go over your order, and request your payment information.

FOR SECURITY PURPOSES PLEASE DO NOT EMAIL OR FAX ANY PAYMENT INFORMATION.

If you have not been contacted within 24 hours of submitting your order please call: (866) 912-3211

SHIPPING INFORMATION:

Please fill out your shipping information

FIRST NAME:

LAST NAME:

COMPANY:

JOB/PO NUMBER:

CONTACT PHONE:

ADDRESS 1:

ADDRESS 2:

CITY:

STATE:

ZIP:

EMAIL:

BILLING INFORMATION:

Billing is the same as shipping.

FIRST NAME:

LAST NAME:

COMPANY:

JOB/PO NUMBER:

CONTACT PHONE:

ADDRESS 1:

ADDRESS 2:

CITY:

STATE:

ZIP:

EMAIL:

SUBTOTAL:

ACCESSORIES:

HARDCURB® UPGRADE:

SHIPPING:

TAX:

TOTAL:



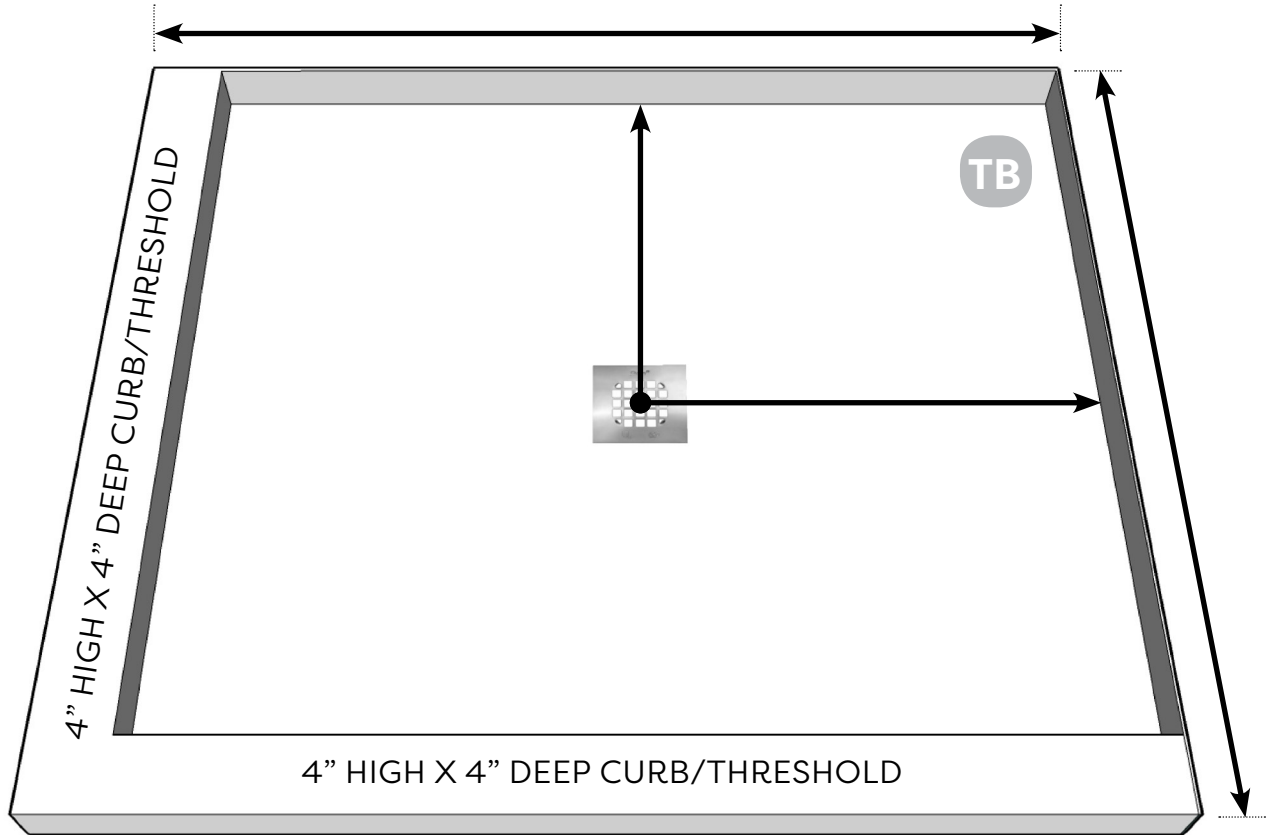
CUSTOM ORDER FORM TILE-BASIN® (TB103-L)

FIRST NAME:

LAST NAME:

Please indicate the measurements in inches below:

Click Here to View: [How to Measure for Your KBRS Tile-Basin®](#)



Please select curb type:

STANDARD CURB

HARDCURB® UPGRADE

(HardCurb® Upgrades are ideal for anchoring heavy glass shower enclosures)

Please select drain type:

T1 (1/2" height at drain, low profile drain set)

T2 (1" height at drain, generally for deeper drain sets)

CUSTOM DRAIN

YOUR DRAIN MODEL:

Internal Use Only

SO#