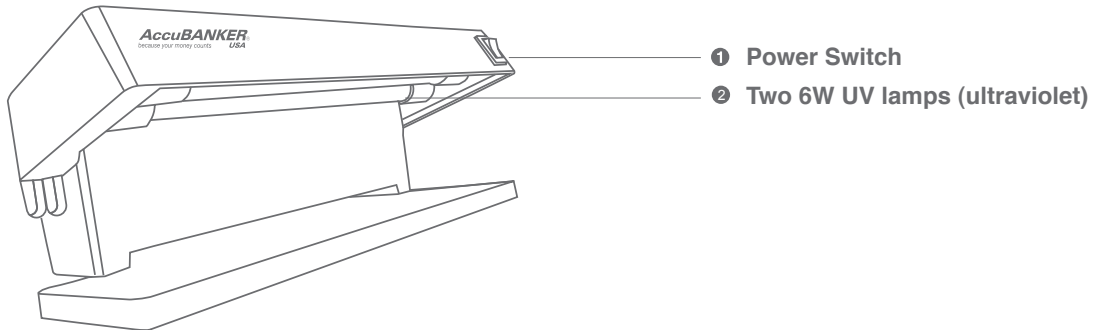


1. Professional Ultraviolet Money detector

Accurate and convenient to use, the D62 is equipped with two powerful 6W UV lamps that help the user to easily inspect the surface of bills and other documents. The user clearly visualize the fluorescence of the security thread in U.S. Dollars or the fibers and other features present in other currencies, credit cards, special documents, etc.

The Unit has been specifically designed to protect the user from direct eye exposure to the UV rays.

2. Parts



3. Operation

About the bills, documents, etc. We recommend the users to familiarize themselves with the security features of the bill or document they want to analyze, in order to use the unit appropriately and efficiently. Additionally, we also recommend the users to compare any dubious bill against a good one, to better determine if it is legitimate or not.

A. Ultraviolet Detection

Plug the unit to a power outlet. Turn ON the UV detection in the UV/WM selector switches. Place the bill or document you want to analyze on the surface under the UV lamps.

The UV features contained in bills and documents will fluoresce under UV light. Using this principle, any document containing UV security features should fluoresce. U.S. dollars, others currencies, credit cards and other special documents containing UV security features will be difficult to reproduce by counterfeiters.

The UV reaction in a bill or document can differ depending on the side that is analyzed (for bills and documents that have UV security features visible from both sides). For this reason, we recommend the user to analyze both sides of the bill or document

4. Cleaning Maintenance

- Avoid operating the unit close to strong natural/artificial light source. The effect of the UV light will be overpowered by that strong secondary light source, diminishing the fluorescence of the analyzed bill or document.
- Don't use this product in areas where it may be exposed to water or other types of liquids.
- Dust may accumulate on the UV lamps, reducing its luminescence. Use a damp soft cloth for cleaning.
- Don't use liquid or aerosol cleaners.
- Unplug the unit from the wall outlet before cleaning or replacing a lamp.
- Don't use the unit if the power cord is damaged or if the plug socket contact is loose. Not following these instructions may result in electric shock, fire or other hazards.
- When not using the unit for a long period of time, remove the power plug from the wall outlet.

Important note: To extend the life of the fluorescent UV and watermark lamps, it is recommended to Turn Off the selectors if you are not using the unit.

5. Specifications

Dimensions	270 x 120 x 105 mm (10 ½ " x 4 ¾" x 4 ¼")	
Ambient Temperature	0° C - 40° (32° F - 104° F)	
Ambient Humidity	≤ 85%	
illumination	200 - 800 lux	
Power Source	110V / 60Hz 220V / 50Hz 220V / 50Hz	American Power Cord (two flat prongs) European Power Cord (two round prongs) Argentina Power Cord (IRAM certified)
Power Consumption	15W	