

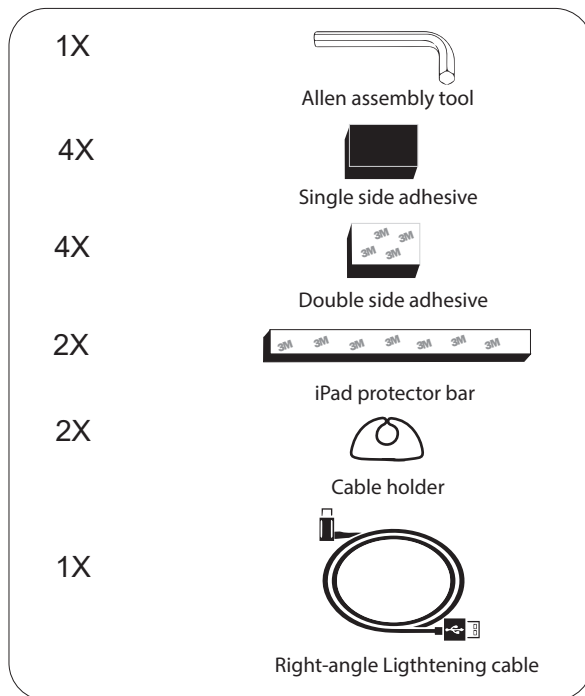
iPad Stand installation instructions

I. For video instructions.

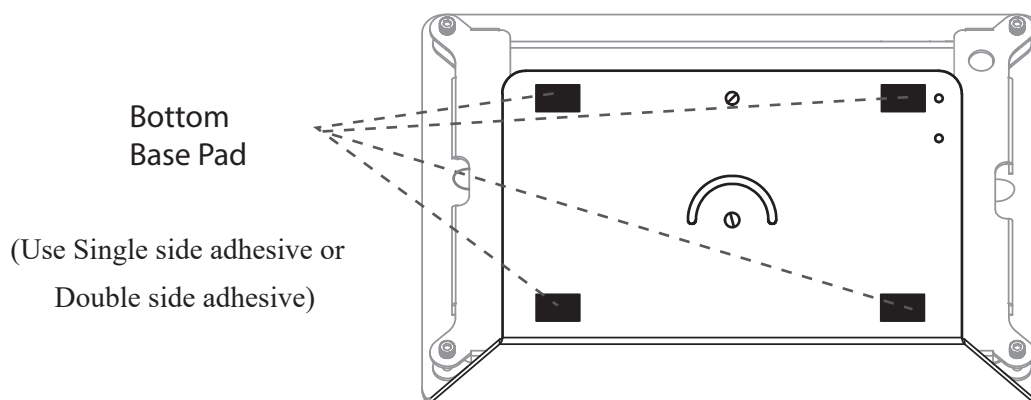
Please scan the QR code using your phone.



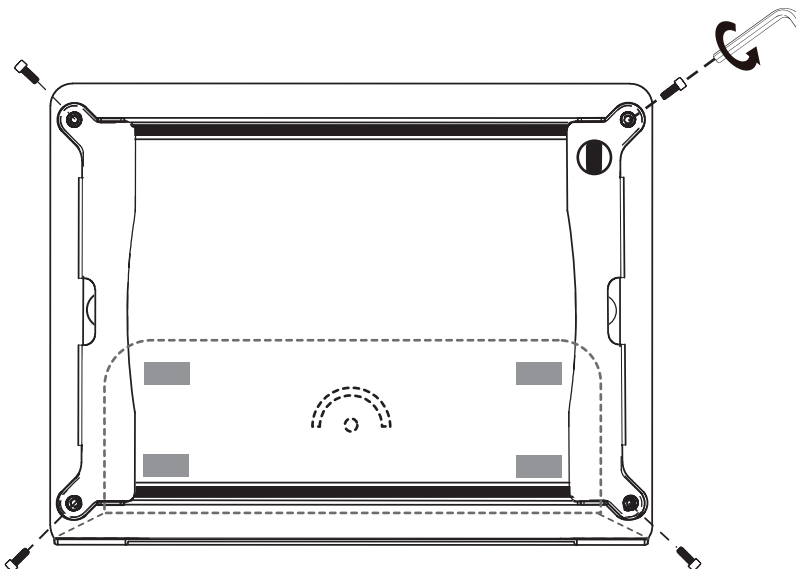
II. For written instructions follow these steps.



1. Place the base pads on the bottom of the stand.

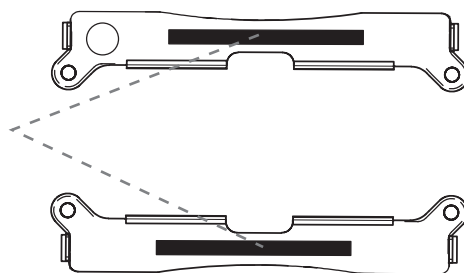


2. Remove the four screws.

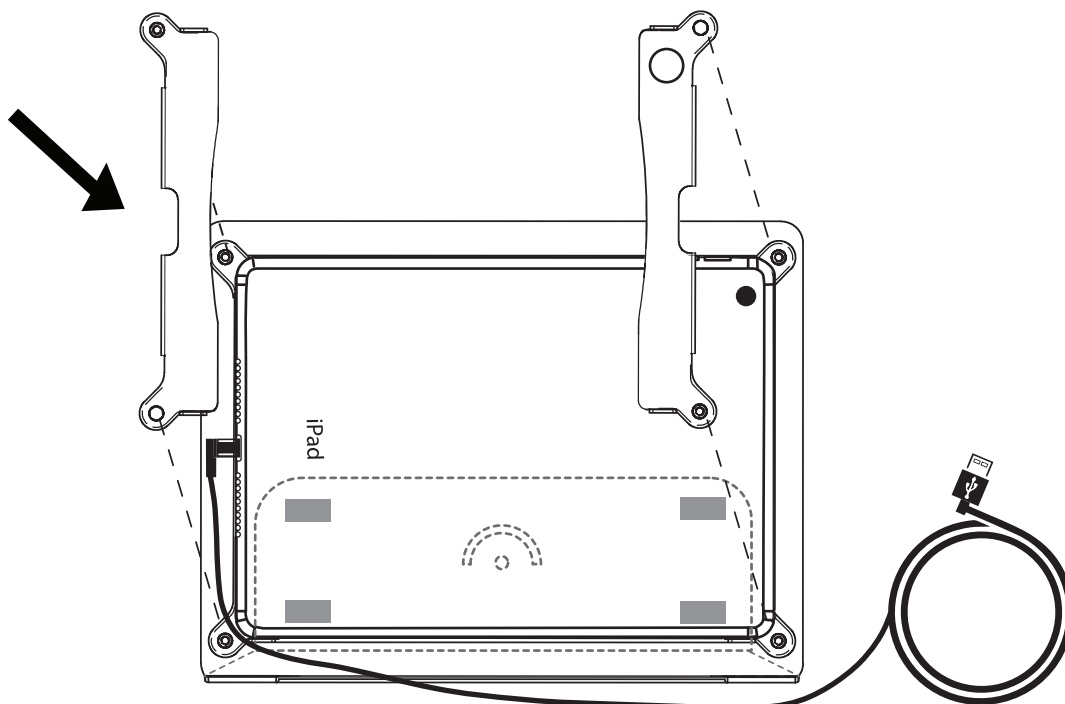


3. Place the iPad protector pads on the holder bars interior.

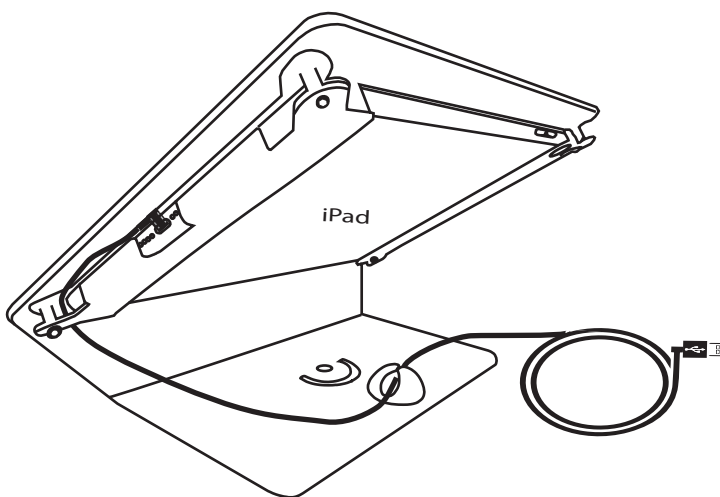
iPad
Protector Pad



4. Route Lightning cable and place the metal holder bars back.



5. Place the Lightning cable holder to route the cord.



Have any questions?

Please contact our customer support at:

Email: support@accubanker.com

Phone: 1-888-993-2228

Hours of Operation

Office Hours:

Monday through Friday

9:00AM to 5:00PM EST