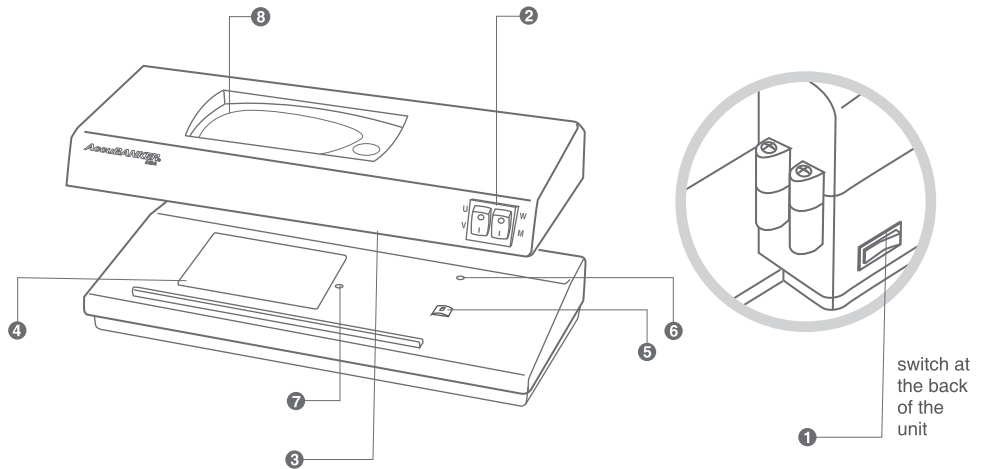


Parts

- ❶ Power Switch
- ❷ UV/WM (Ultraviolet/Watermark) Selector Button
- ❸ Two 6W UV lamps (ultraviolet)
- ❹ Watermark Verification Window
- ❺ Magnetic Head
- ❻ Magnetic Indicator (Green LED)
- ❼ Function Activator Sensor
- ❽ Micro-printing Magnifier



Professional Money Detector with Ultraviolet, Watermark, Magnetic and Micro-printing Systems

Accurate and convenient to use, the Professional Ultraviolet Money Detector is equipped with two powerful 6W UV lamps that help the user to easily inspect the surface of bills and other documents. The user can clearly visualize the fluorescence of the security thread in U.S. dollars or the fibers and other features present in other currencies, credit cards, special documents, etc. Moreover, this unit is equipped with a watermark verification window, a magnetic ink detection device and a micro-printing magnifier to further increase your bill or document analysis capability.

This unit has been specifically designed to protect the user from direct exposure to ultraviolet rays.

Operation

We recommend the users to familiarize themselves with the security features of the bill or document they want to analyze, in order to use the unit appropriately and efficiently. Additionally, we also recommend the users to compare any dubious bill against a good one, to better determine if it is legitimate or not.

Note: The unit will start to operate only when a bill or document is placed on the analysis surface. Moreover, to extend the life of the fluorescent UV and watermark lamps, the unit will automatically shut them OFF after 10 seconds (if nothing is analyzed). The unit remains in standby mode until it is manually turned OFF.

A. Ultraviolet Detection

Plug the unit to a power outlet. Turn it ON. Select UV detection in the UV/WM selector. Place the bill or document you want to analyze on the surface under the UV lamps.

The UV features contained in bills and documents will fluoresce under the UV light. Using this principle, any documents or part thereof containing UV security features, should fluoresce. U.S. dollars, other currencies, credit cards, and other special documents containing UV security features will be difficult to reproduce by counterfeiters.

The UV reaction in a bill or document can differ depending on the side that is analyzed (for bills or documents that have UV security features visible from both sides). For this reason, we recommend the user to analyze both sides of the bill or document.

B. Watermark Verification

Select WM detection in the UV/WM selector. Place the area containing the watermark on the bill or document over the watermark verification window. Verify that the watermark is present on the bill or document. The absence, displacement, or low quality of the watermark will indicate that the bill or document is not legitimate.

C. Magnetic Ink Verification

Once the unit is turned on, the magnetic ink detection device is automatically activated, and remains so while the unit is turned on. Rub the area of the bill or document that may contain magnetic ink against the magnetic head. If there is magnetic ink present on the bill or document, the unit will emit a beeping sound while the green LED display lights up. If no signal turns on while analyzing the bill or document, this may be an indication that the bill or document is not legitimate.

D. Micro-printing Magnifier

Place the bill or document under the magnifier window. Visually, verify the micro-printing and the fine lines present in bills or documents.

Cleaning and Maintenance

- Avoid operating the unit close to a strong natural/artificial light source. The effect of the UV light will be overpowered by that of the strong secondary light source, diminishing the fluorescence of the analyzed bill or document.
- Do not use this product in areas where it may be exposed to other water or liquids.
- Dust may accumulate on the UV lamps, reducing its luminescence. Use a damp soft cloth for cleaning.
- Do not use liquid cleaners or aerosol cleaners.
- Unplug this product from the wall outlet before cleaning or replacing a lamp.
- Do not use the unit if the power cord is damaged or if the plug socket contact is loose. Not following these instructions may result in electric shock, fire, or other hazards.
- When not using the unit for a long period of time, remove the power plug from the wall outlet.

SPECIFICATIONS

Dimensions:	Approx. 270 x 120 x 105mm (10.5 x 4.74 x 4.25 in)
Ambient Temperature	0°C - 40°C
Ambient Humidity	85%
Illumination	200 ~ 800 lx
Power Source	110 VAC / 60 Hz; 220 VAC / 50 Hz
Power Consumption	18W