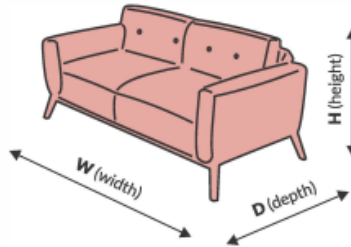




# Will your new furniture fit into your home?

## HAVE YOU ALREADY CHOSEN YOUR FURNITURE?

Please make sure that the KC Sofas Home Delivery won't have any problems bringing the furniture into your home. In this guide, you will find some tips that will allow you to avoid disappointment. Checking the measurements shouldn't take you longer than 15 minutes.



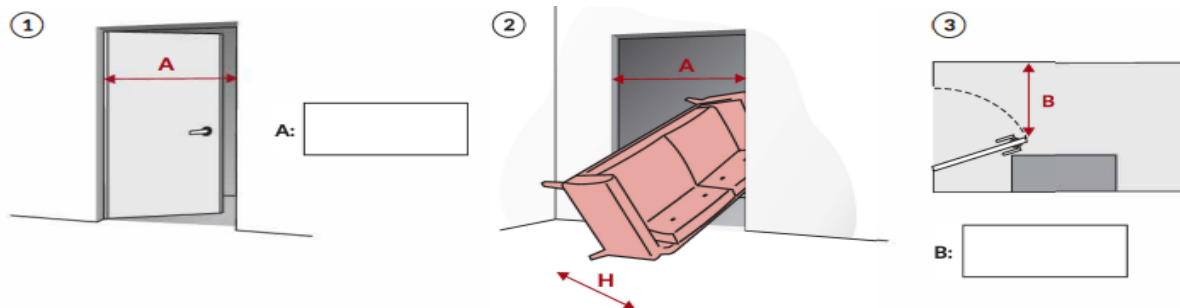
Check whether the dimensions of each item won't cause any problems when moving them through door frames, carrying them upstairs or through narrow corridors.

**IMPORTANT: Please make sure any corridor items (shoes, racks, coat hooks, bikes etc.) are removed before delivery to clear access for our delivery crew.**

## CARRYING THE FURNITURE THROUGH THE FRONT DOOR

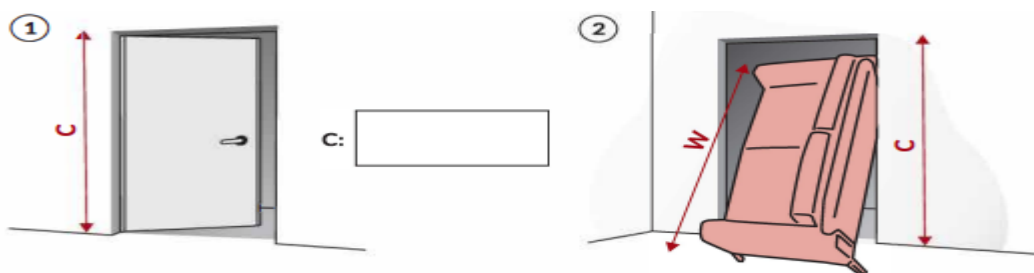
### PLAN A

1. Make sure that the items will fit through the door. Measure and note down the door frame's dimensions.
2. If the door frame's width (A) is a higher number than box's height (H), then we should be able to bring the furniture in through the door.
3. If you have something behind the door and you won't be able to open them fully, open them as wide as you can and measure the distance in the most narrow place, between outer edge of the door and the object that is stopping them opening fully (measurement B). If (B) number is higher than the height of your furniture's box (H), you can move to next section. Otherwise, have a look at **Plan B**.



### PLAN B

1. If the width of your door frame is too small, the chance are that the items won't be able to fit through the space, you may have to remove the door before the delivery crew arrive.
  2. Leave a bit of space to be able to move.
- (TIP: if you cannot open the door wide enough, it should be fairly easy to remove the door from the frame)**

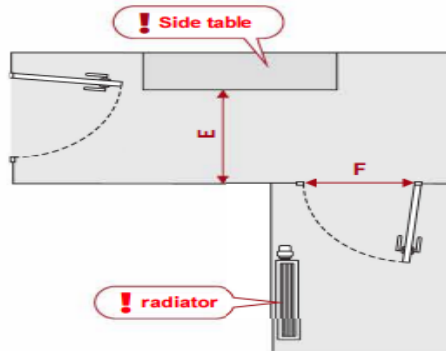




# Will your new furniture fit into your home?

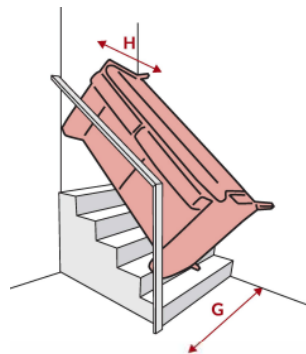
## CORRIDORS AND NARROW PLACES

1. Measure the width of all the places that packed items must be carried through - from corridors (E) to internal door (F).
2. Pay attention to the distance between various objects, furniture, radiators. The package's height must be smaller than the dimensions that you've noted down.



## SIMPLE STAIRS

1. Measure the width of the stairs (G). Pay attention to any protruding banisters. Stairs' width should be higher than (H) number of your chosen item.



## STAIRS WITH A LANDING

1. We might have a problem when turning and will try to position your item vertically. Measure the height between the landing and the ceiling above the landing (J). If the height number above the stairs is bigger than the width of the item (W number), and the width of a flight of stairs (G) is bigger than the depth (D number), then the item should fit.
2. Remember to keep a bit of space for our crew who will be carrying the piece of furniture upstairs, and remove all pictures/mirrors (as if any are left, this is at the responsibility of you if they are damaged).
3. Maybe we will need to lift the box over the banisters? If this is the case, make sure that the distance between the banister and the ceiling is bigger than the depth of your item (D) in the point where the height is the shortest (K number).



## Will your new furniture fit into your home?



### TIPS

1. If you have a ground floor living room, see if you can use the window or remove the window to bring the item in.



**REMEMBER: Size and access of your property is only known by you and is your responsibility to make sure your items will fit.**