

Micro T1 installation manual

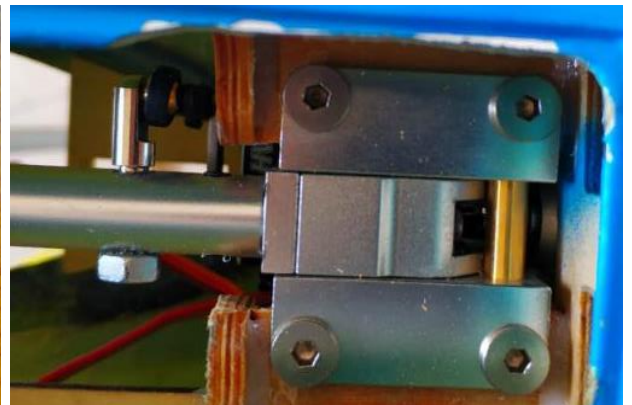
T-one model's Micro T1 length is 1.48m, wingspan is 1.34m. Micro T1 is made of composite materials with strong structure and excellent flight performance.。

1、 Landing gear install

1.1 Nose gear steering lever install



1.2 Nose gear retract install

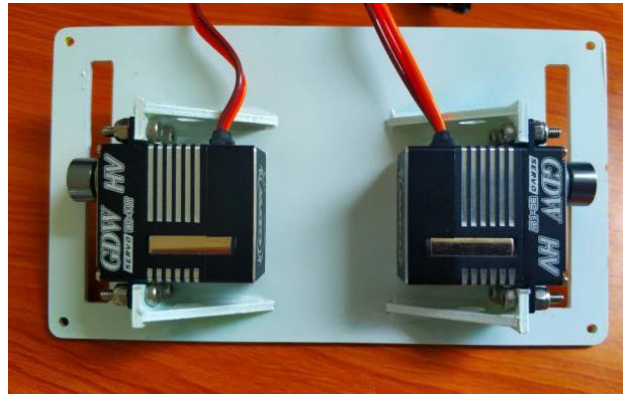


1.3 Main gear retract install

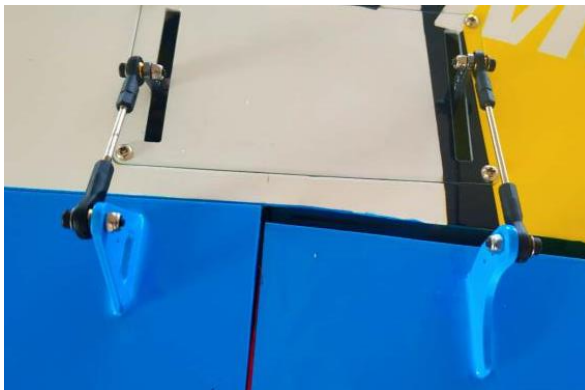
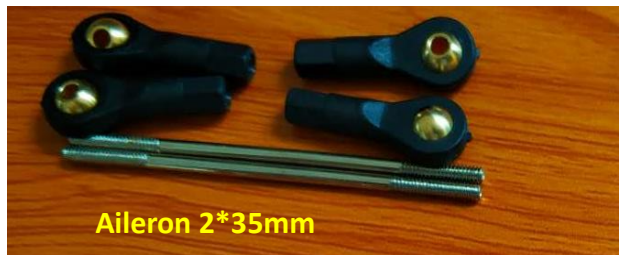


2、 Main wing install

2.1 Flap and aileron servo install



2.2 Servo lever install

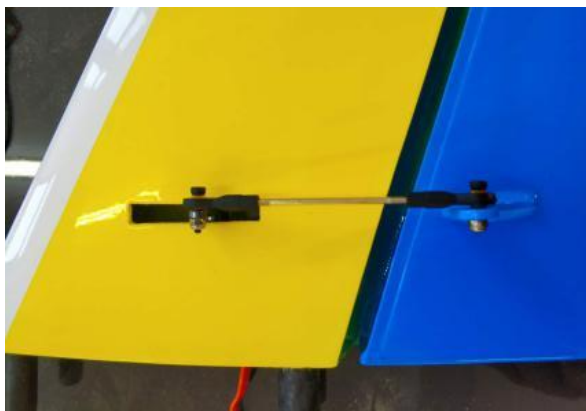
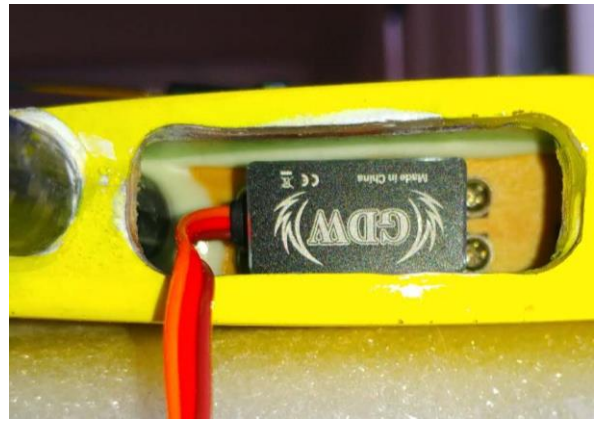


2.3 Fixed main wing

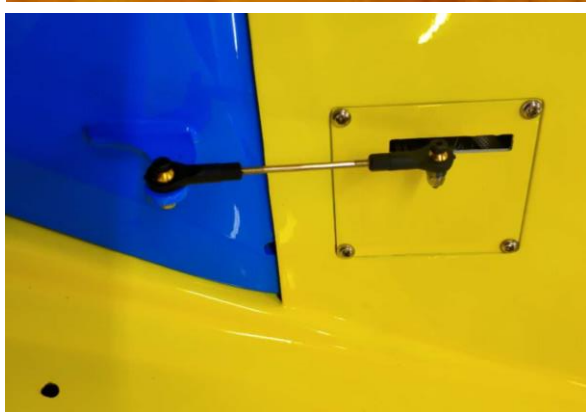


3、 Elevator and rudder install

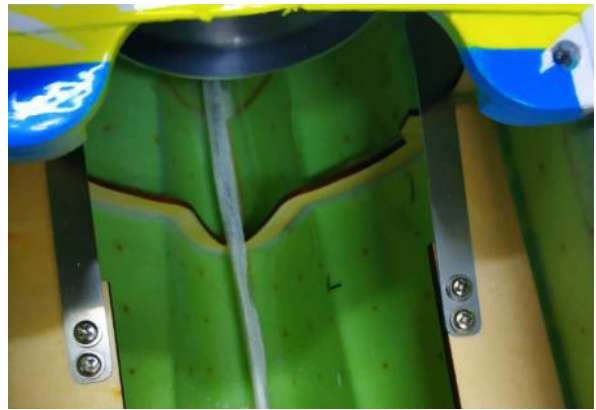
3.1 Elevator servo install



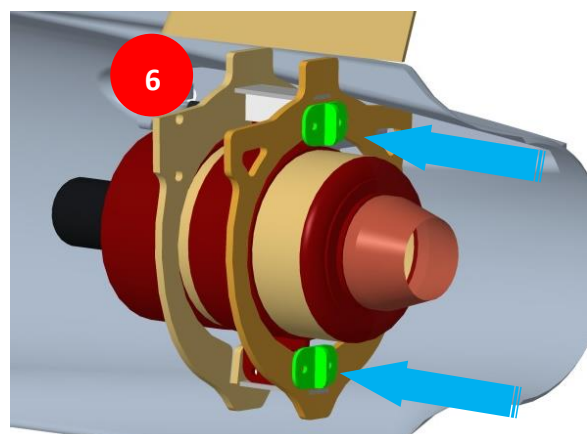
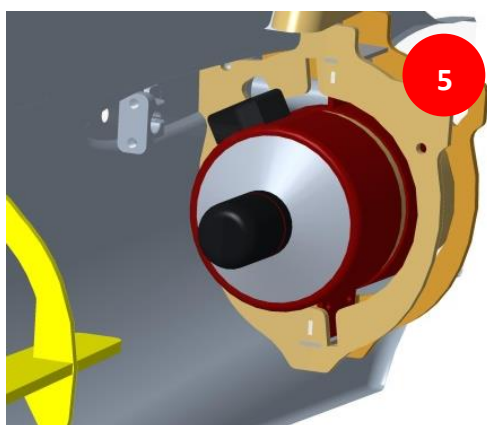
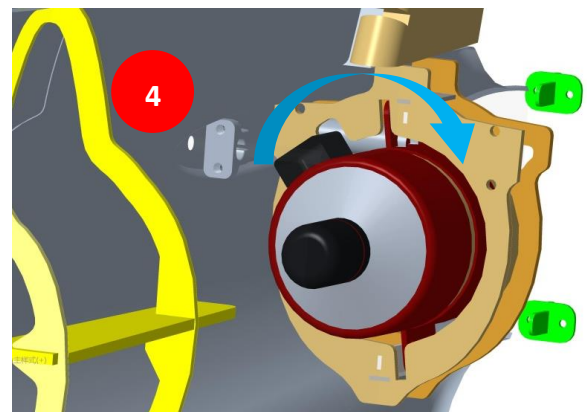
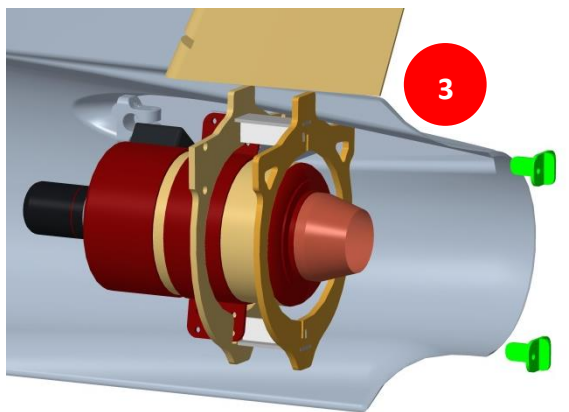
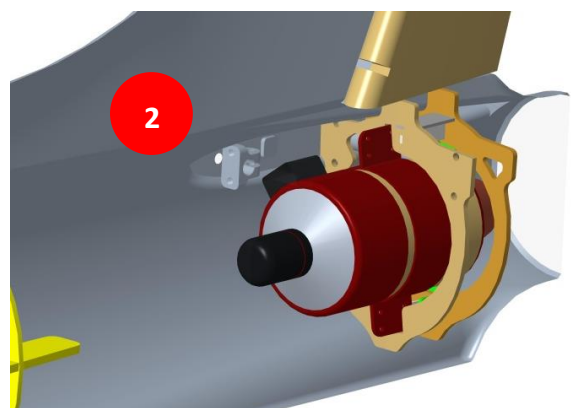
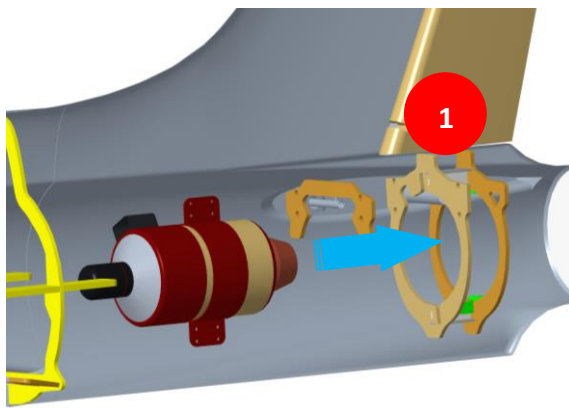
3.2 Rudder servo install



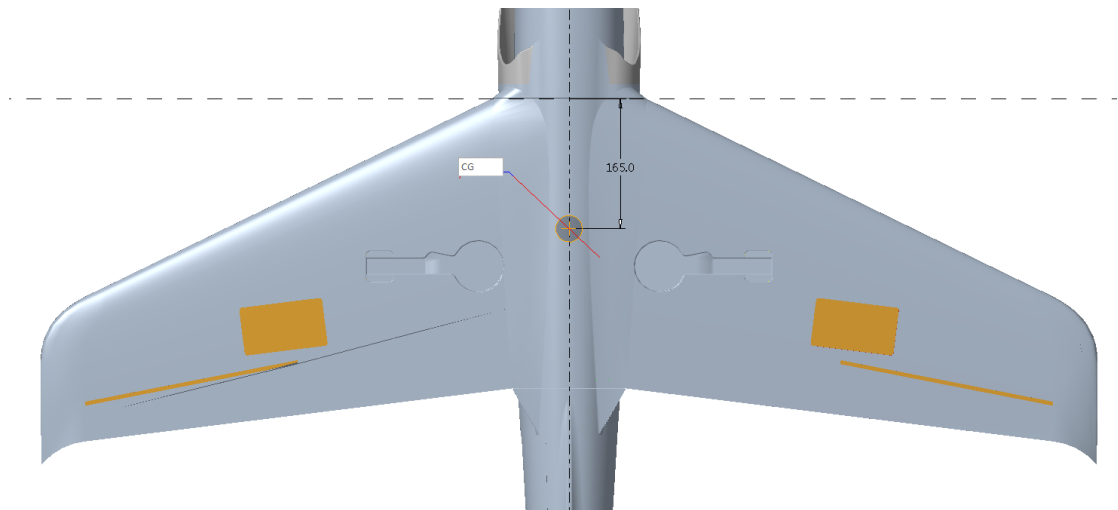
4、 Tail pipe install



5、 Engine install



6、 Center of gravity



7、 Surface parameters

Item	Data
Aileron	$\pm 12\text{mm}$
Flap	30°, 60°
Elevator	$\pm 15\text{mm}$
Rudder	$\pm 15\text{mm}$
CG	165mm