

SPECIFICATIONS:

IPE10 PASTA EXTRUDER

Features:

- Basin/hopper made from 316 stainless steel
- Extruder body & stand made from painted steel
- Bronze dies & auger
- Water resistant body
- Dies and auger are removable for cleaning
- Easy to access basin and mixer for cleaning
- Two Speeds: Mixing & Extruding

Options:

- Comes with 4 dies of your choice
(See the pasta maker brochure to browse the selection)
- Custom body colour

Note: Cable length is 6' / 182cm

Plug Type: NEMA 5-15P



Capacity & Power

| Specification | IPE10 |
|-----------------|----------------|
| Hopper Capacity | 3.5Lb 1.5Kg |
| Output/Hour | 10Lb 4.5Kg |
| Power | 0.4hp 0.3Kw |
| Electrical | 110V |
| Phases | N/A |

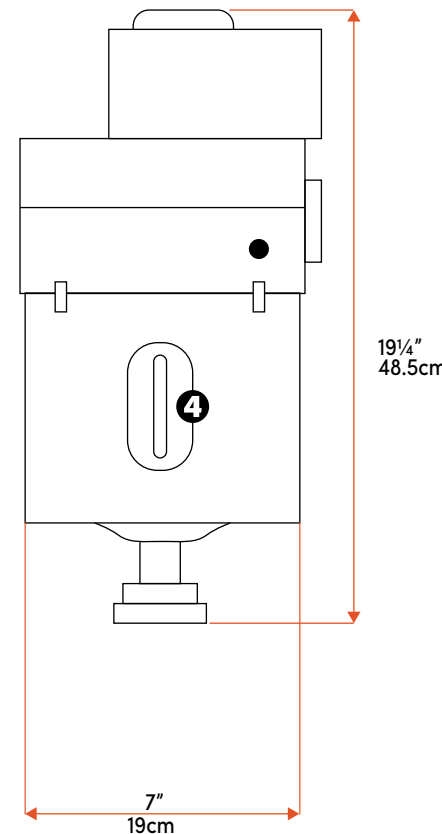
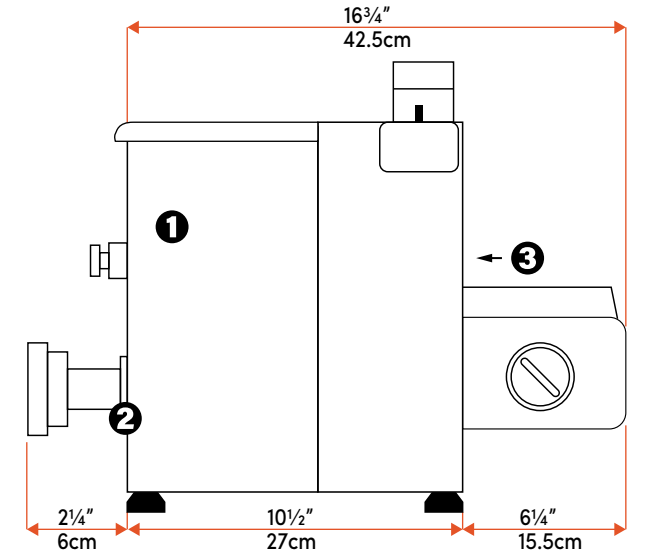
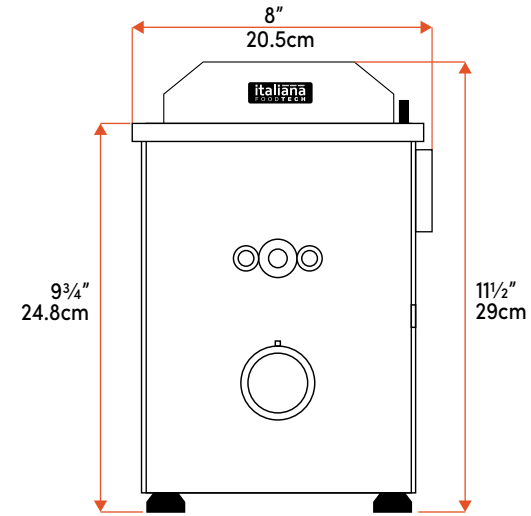


Italiana FoodTech reserves the right to modify the technical data and models without notice.

ITALIANA FoodTech
815 Alness St. Toronto Ont. M3J 2H8 Canada
T: 647.557.3477 - F: 647.977.9214
info@italiana.ca / www.italiana.ca

SPECIFICATIONS:

IPE10 PASTA EXTRUDER



- ❶ Mixing Basin/Hopper
- ❷ Vacuum Extrusion Basin
- ❸ Adjustable Speed Auger
- ❹ Basin Cover

Model Information

| Model | Dimensions Inch | | | Dimensions cm | | | Weight | |
|-------|-----------------|--------|--------|---------------|------|----|--------|----|
| | W | D | H | W | D | H | Lb | Kg |
| IPE10 | 8 | 19 1/4 | 11 1/2 | 20.5 | 48.5 | 29 | 40 | 18 |

Shipping Information

| Model | Dimensions Inch | | | Dimensions cm | | | Weight | |
|-------|-----------------|----|--------|---------------|------|------|--------|----|
| | W | D | H | W | D | H | Lb | Kg |
| IPE10 | 12 1/2 | 23 | 16 1/4 | 32 | 58.5 | 41.5 | 44 | 20 |



Italiana FoodTech reserves the right to modify the technical data and models without notice.

ITALIANA FoodTech
815 Alness St. Toronto Ont. M3J 2H8 Canada
T: 647.557.3477 - F: 647.977.9214
info@italiana.ca / www.italiana.ca

SPECIFICATIONS:

IPE15 PASTA EXTRUDER

Features:

- Basin/hopper made from 316 stainless steel
- Extruder body & stand made from painted steel
- Bronze dies & auger
- Water resistant body
- Dies and auger are removable for cleaning
- Easy to access basin and mixer for cleaning
- Two Speeds: Mixing & Extruding

Options:

- Comes with 4 dies of your choice (See the pasta maker brochure to browse the selection)
- Custom body colour
- Optional Knife

Note: Cable length is 6' / 182cm

Plug Type: NEMA 5-15P



Capacity & Power

| Specification | IPE15 |
|-----------------|-----------------|
| Hopper Capacity | 5.5Lb 2.5Kg |
| Output/Hour | 15Lb 7Kg |
| Power | 0.5hp 0.37Kw |
| Electrical | 110V |
| Phases | N/A |

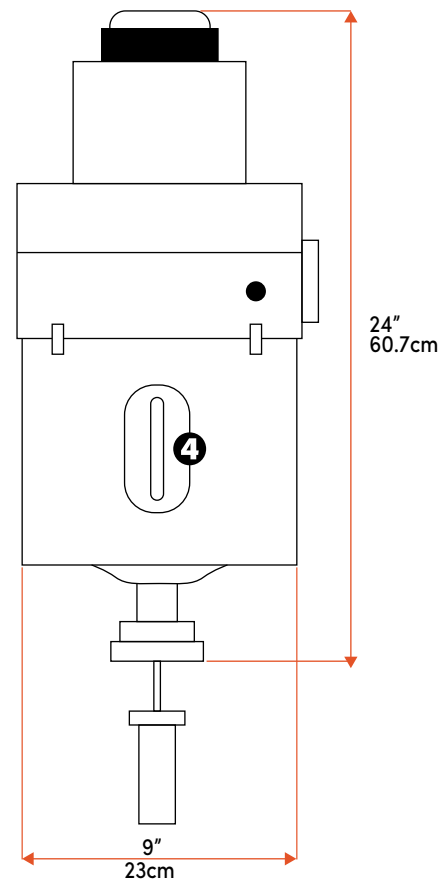
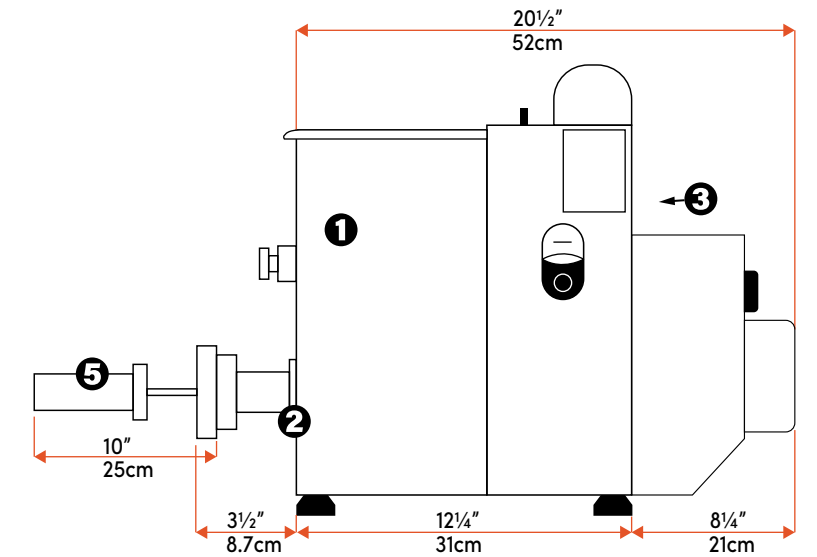
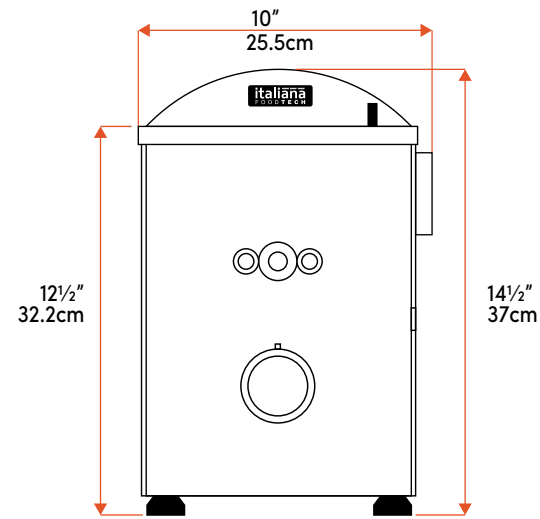


Italiana FoodTech reserves the right to modify the technical data and models without notice.

ITALIANA FoodTech
815 Alness St. Toronto Ont. M3J 2H8 Canada
T: 647.557.3477 - F: 647.977.9214
info@italiana.ca / www.italiana.ca

SPECIFICATIONS:

IPE15 PASTA EXTRUDER



- 1 Mixing Basin/Hopper
- 2 Vacuum Extrusion Basin
- 3 Adjustable Speed Auger
- 4 Basin Cover
- 5 Electronic Cutting Knife

Model Information

| Model | Dimensions Inch | | | Dimensions cm | | | Weight | |
|-------|-----------------|----|----|---------------|------|----|--------|----|
| | W | D | H | W | D | H | Lb | Kg |
| IPE15 | 10 | 24 | 14 | 25.5 | 60.7 | 37 | 64 | 29 |

Shipping Information

| Model | Dimensions Inch | | | Dimensions cm | | | Weight | |
|-------|-----------------|----|--------|---------------|----|----|--------|----|
| | W | D | H | W | D | H | Lb | Kg |
| IPE15 | 14 1/4 | 28 | 17 3/4 | 36 | 71 | 45 | 84 | 38 |



Italiana FoodTech reserves the right to modify the technical data and models without notice.

ITALIANA FoodTech
815 Alness St. Toronto Ont. M3J 2H8 Canada
T: 647.557.3477 - F: 647.977.9214
info@italiana.ca / www.italiana.ca