

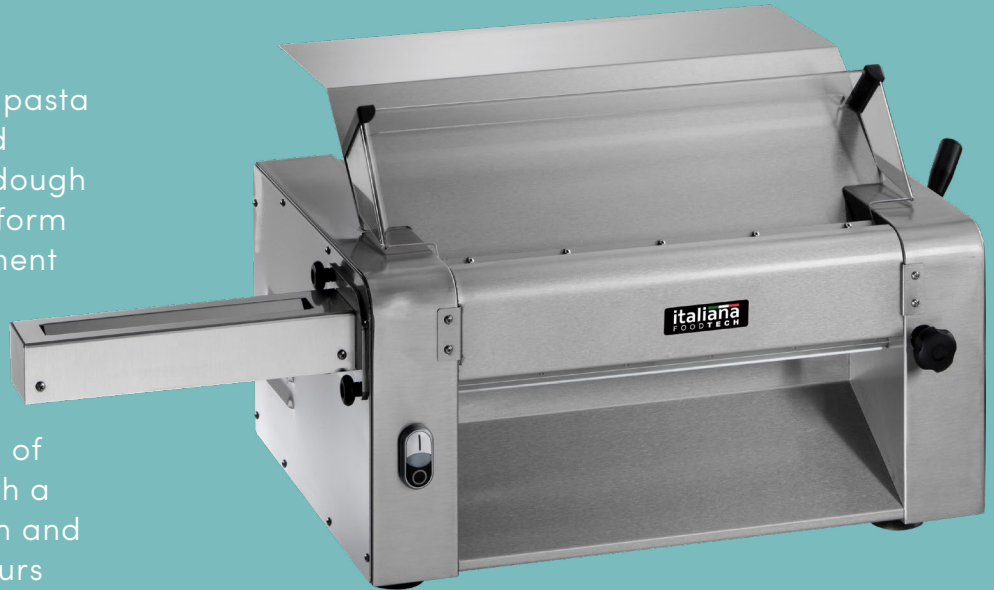
# PASTA SHEETERS



# PASTA SHEETERS

The IPS320 countertop dough sheeter will help speed up your pasta production. Two mirror polished stainless steel rollers press the dough into a perfectly flat sheet of uniform thickness. The thickness adjustment knob allows you to adjust the thickness as needed.

Optional pasta cutters can be added on to cut pasta in widths of 2mm, 4mm, 6mm, or 12mm. With a dough sheeter, perfectly smooth and consistent pasta can now be yours quickly, and easily.



## Features

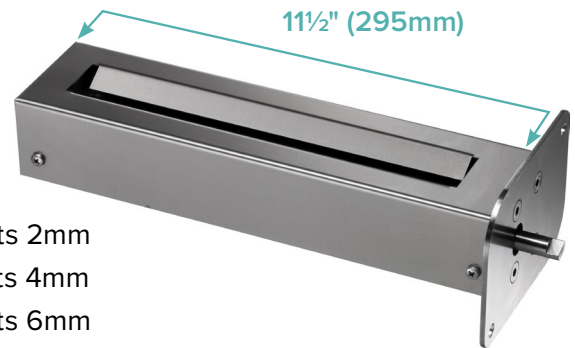
- 2" stainless steel roller with adjustable thickness
- Width of dough sheets: 12.5" (320mm)
- Roller opening: 0 – 3/8" (0-10mm)
- Optional pasta cutter attachment sizes: 2mm, 4mm, 6mm, 12mm

## Electrical

- 110V
- Plug Type: Nema 5-15p



## Pasta Cutters (Optional)



### Sizes:

- IPC2 - Cuts 2mm
- IPC4 - Cuts 4mm
- IPC6 - Cuts 6mm
- IPC12 - Cuts 12mm

**Note:** Width of dough sheets for cutting: 8.5" (220mm)

## Specifications

Model	Dimensions Inch			Dimensions mm			Weight	
	W	D	H	W	D	H	Lb	Kg
IPS320	22¾	19	15¾	580	480	400	114.5	52
Pasta Cutters	11½	2¾	2¼	295	70	55	7.7	3.5