

## SPECIFICATIONS:



# COUNTER TOP PASTA COOKERS

## E64 & E66

## FEATURES:

*The Italiana FoodTech counter top pasta cookers are the perfect solution for restaurants looking to add gluten free pasta options to their menu without risk of cross contamination. With no need for a water connection, a counter top pasta cooker can be set up anywhere, making them ideal for a restaurant with limited space.*

*No service calls, no problems, a pasta cooker you can trust. Whatever your needs, pre-cooked dry pasta, cook fresh pasta, boil vegetables choose a basket combination that suits your needs.*

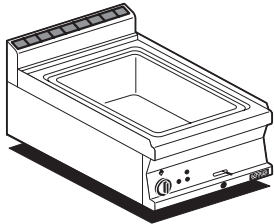
- Unrivaled cooking of pasta, rice, eggs and vegetables
- Made of AISI 316 stainless steel (Salt resistant marine grade)
- Single /double pressed tanks with bottom grid and baskets made of perforated stainless steel sheet
- Baskets available in different sizes to allow for simultaneous cooking of different foods
- Covered top placed to help keep the water clean.
- Adjustable feet for a level machine - Casters Available Infinite range of basket combinations
- Uses a standard power outlet for power

# COUNTER TOP PASTA COOKERS

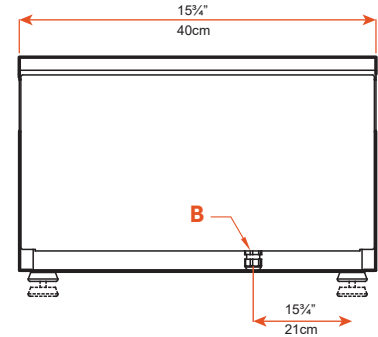
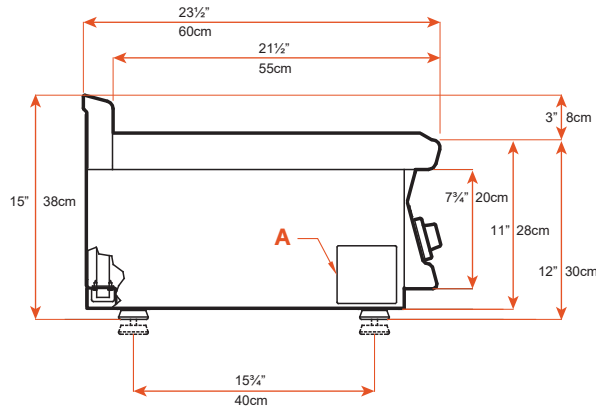
A = DATA PLATE  
B = ELECTRICAL CONNECTION

## E64

17L TANK CAPACITY:  
ELECTRIC PASTA COOKER

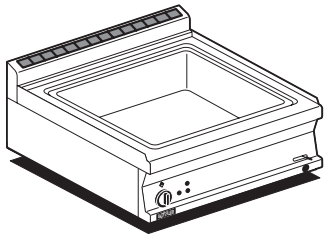


2/3	1/3	1/3	1/6	1/6	1/9	1/9
			1/6	1/6	1/9	1/9
					1/9	1/9

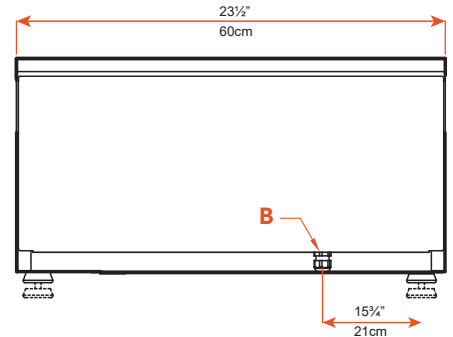
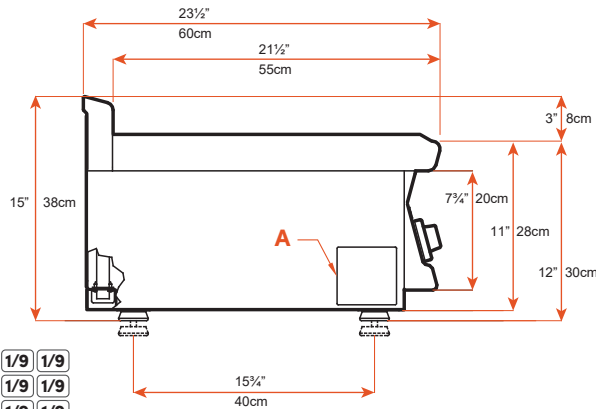


## E66

25L TANK CAPACITY:  
ELECTRIC PASTA COOKER



1/1	1/2	1/3	1/6	1/6	1/9	1/9	1/9
	1/2	1/3	1/6	1/6	1/9	1/9	1/9
		1/3	1/6	1/6	1/9	1/9	1/9



### Electrical Information

Model	Power (Kw)	Voltage	Hz	Phase
E64	5.0	220v	50/60	1
E66	7.5	220v	50/60	1

Cable Length: 6' / 182cm

Cable Type: 4x12AWG

Note: Adjustable legs allow the pasta cooker to be raised or lowered by 1/2 in (4cm). All connections will raise or lower by the amount that the legs are adjusted.

### Model Dimensions

Model	Dimensions (Inch)			Dimensions (cm)			Weight	
	W	D	H	W	D	H	Lb	Kg
E64	15 3/4	23 1/2	15	40	60	38	60	27
E66	23 1/2	23 1/2	15	60	60	38	93	42

### Shipping Dimensions

Model	Dimensions (Inch)			Dimensions (cm)			Weight	
	W	D	H	W	D	H	Lb	Kg
E64	25	25	20	63	63	50	60	27
E66	31	25	20	80	63	50	93	42



The manufacturer reserves the right to modify the technical data and models without previous notice.

ITALIANA Foodtech  
815 Alness St. Toronto Ont. M3J 2H8 Canada  
T: 647.577.3477 - F: 647.977.9214  
info@italiana.ca / www.italiana.ca