

COMPACT PRO
DOUGH MIXER
SPEC SHEETS

SPECIFICATIONS:

COMPACT PRO DOUGH MIXERS

IHM6



The Italiana FoodTech Compact Pro Dough Mixers are professional grade mixers that are compact enough to be used on a countertop in a home, restaurant or food vehicle. For any small scale operation requiring professional quality dough in a compact robust package, a Compact Pro Dough Mixer is the perfect solution. For those with a residential pizza oven, the Compact Pro Mixer brings professional quality dough home for top quality pizza. Add an optional timer dial or custom coloured finish to personalize your dough mixer!

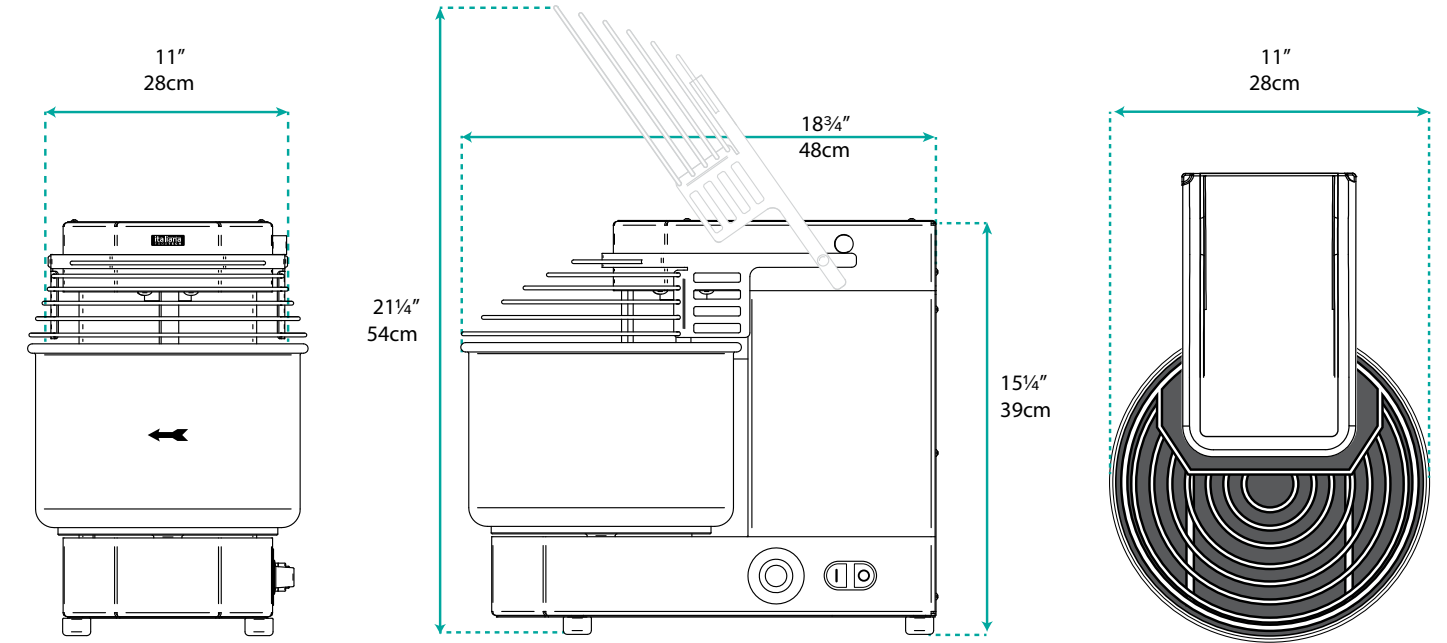
FEATURES:

- Purpose built for mixing dough with 55-100% hydration
- Mixing capacity of 13-33Lb (6-15Kg)
- Reinforced spiral with variable speed from 60-210 rpm
- Stainless steel safety guard, bowl, spiral arm & breaking bar
- 6 different mixing speeds



COMPACT PRO DOUGH MIXERS

IHM6



Note: Cable length is 4' / 122cm
 Plug Type: NEMA 6-15P



Electrical Information

Model	Voltage	Phase	Speed	Motor Power	Amps
IHM6	220V	1	6	0.37Kw	N/A

Model Dimensions

Model	Dimensions Inch			Dimensions cm			Weight	
	W	D	H	W	D	H	Lb	Kg
IHM6	11	18 ³ / ₄	15 ¹ / ₄	28	48	39	68	31

Shipping Dimensions

Model	Dimensions Inch			Dimensions cm			Weight	
	W	D	H	W	D	H	Lb	Kg
IHM6	16	23 ³ / ₄	20 ¹ / ₄	41	60	52	79	36



The manufacturer reserves the right to modify the technical data and models without previous notice.

ITALIANA Foodtech
 815 Alness St. Toronto Ont. M3J 2H8 Canada
 T: 647.577.3477 - F: 647.977.9214
 info@italiana.ca / www.italiana.ca

SPECIFICATIONS:

COMPACT PRO DOUGH MIXERS

IHM10



The Italiana FoodTech Compact Pro Dough Mixers are professional grade mixers that are compact enough to be used on a countertop in a home, restaurant or food vehicle. For any small scale operation requiring professional quality dough in a compact robust package, a Compact Pro Dough Mixer is the perfect solution. For those with a residential pizza oven, the Compact Pro Mixer brings professional quality dough home for top quality pizza. Add an optional timer dial or custom coloured finish to personalize your dough mixer!

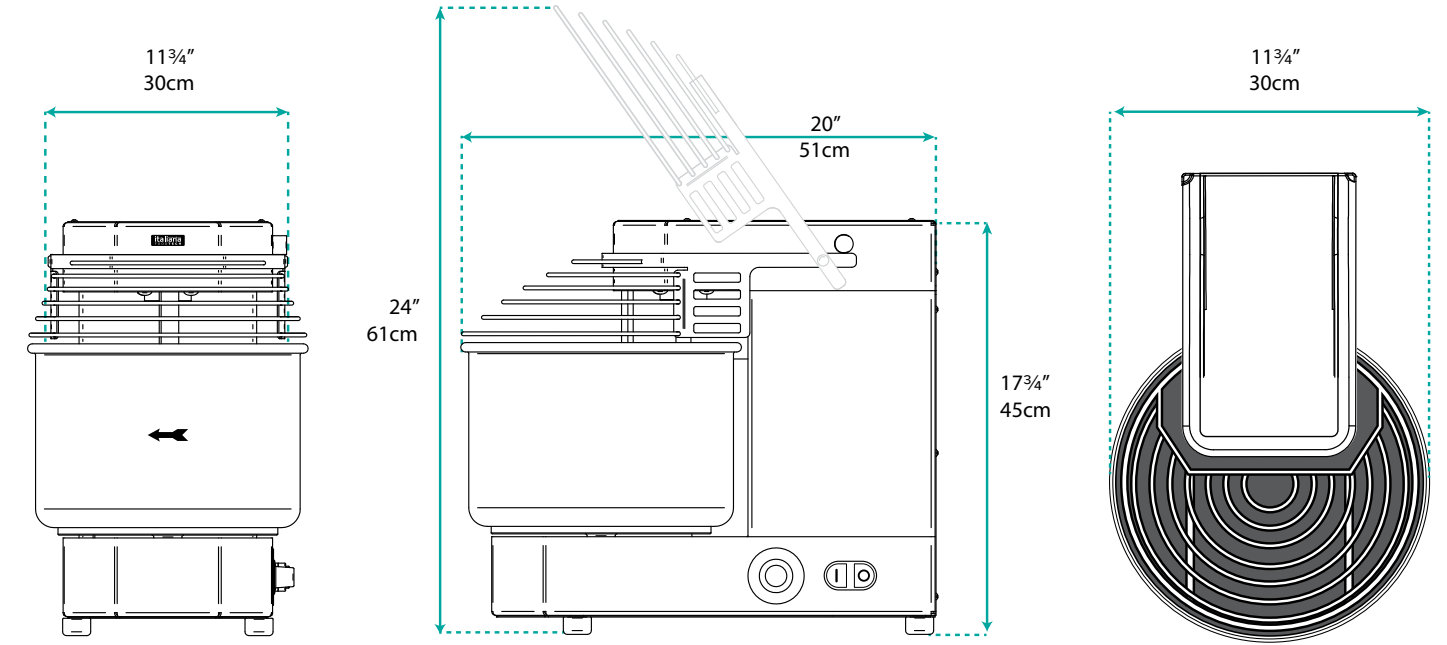
FEATURES:

- Purpose built for mixing dough with 55-100% hydration
- Mixing capacity of 13-33Lb (6-15Kg)
- Reinforced spiral with variable speed from 60-210 rpm
- Stainless steel safety guard, bowl, spiral arm & breaking bar
- 6 different mixing speeds



COMPACT PRO DOUGH MIXERS

IHM10



Note: Cable length is 4' / 122cm
 Plug Type: NEMA 6-15P



Electrical Information

Model	Voltage	Phase	Speed	Motor Power	Amps
IHM10	220V	1	6	0.37Kw	N/A

Model Dimensions

Model	Dimensions Inch			Dimensions cm			Weight	
	W	D	H	W	D	H	Lb	Kg
IHM10	11 3/4	20	17 3/4	30	51	45	77	35

Shipping Dimensions

Model	Dimensions Inch			Dimensions cm			Weight	
	W	D	H	W	D	H	Lb	Kg
IHM10	16 3/4	25	22 3/4	43	63	58	88	40

The manufacturer reserves the right to modify the technical data and models without previous notice.



ITALIANA Foodtech
 815 Alness St. Toronto Ont. M3J 2H8 Canada
 T: 647.577.3477 - F: 647.977.9214
 info@italiana.ca / www.italiana.ca

SPECIFICATIONS:

COMPACT PRO DOUGH MIXERS

IHM15



The Italiana FoodTech Compact Pro Dough Mixers are professional grade mixers that are compact enough to be used on a countertop in a home, restaurant or food vehicle. For any small scale operation requiring professional quality dough in a compact robust package, a Compact Pro Dough Mixer is the perfect solution. For those with a residential pizza oven, the Compact Pro Mixer brings professional quality dough home for top quality pizza. Add an optional timer dial or custom coloured finish to personalize your dough mixer!

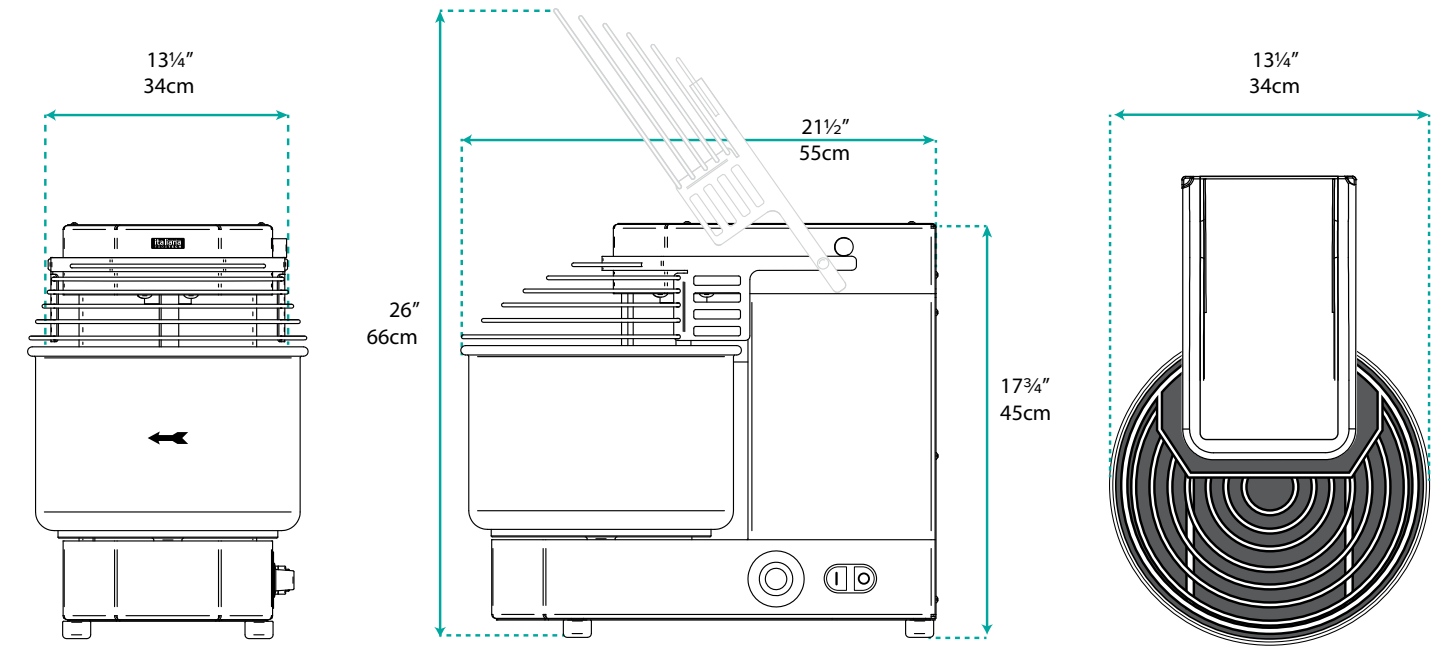
FEATURES:

- Purpose built for mixing dough with 55-100% hydration
- Mixing capacity of 13-33Lb (6-15Kg)
- Reinforced spiral with variable speed from 60-210 rpm
- Stainless steel safety guard, bowl, spiral arm & breaking bar
- 6 different mixing speeds



COMPACT PRO DOUGH MIXERS

IHM15



Note: Cable length is 4' / 122cm
 Plug Type: NEMA 6-15P



Electrical Information

Model	Voltage	Phase	Speed	Motor Power	Amps
IHM15	220V	1	6	0.55Kw	N/A

Model Dimensions

Model	Dimensions Inch			Dimensions cm			Weight	
	W	D	H	W	D	H	Lb	Kg
IHM15	13 1/4	21 1/2	17 3/4	34	55	45	81	37

Shipping Dimensions

Model	Dimensions Inch			Dimensions cm			Weight	
	W	D	H	W	D	H	Lb	Kg
IHM15	18 1/4	26 1/2	22 3/4	46	67	58	95	43

The manufacturer reserves the right to modify the technical data and models without previous notice.



ITALIANA Foodtech
 815 Alness St. Toronto Ont. M3J 2H8 Canada
 T: 647.577.3477 - F: 647.977.9214
 info@italiana.ca / www.italiana.ca