



CASA  
RESIDENTIAL  
OVENS

SPEC SHEETS

SPECIFICATIONS:

# CASA RESIDENTIAL OVENS

## CASA I-A



The *Italiana FoodTech* CASA I Residential Oven is perfect for those who love traditional baking. This oven makes cooking easy, fast, and convenient while out in the open air. Just 10 minutes for the oven to pre-heat and only 2 more to bake the best homemade pizza! The CASA I is lightweight, space-saving and durable. Suited for outside use, you can use the CASA I anywhere, from in the garden to the balcony or porch!

### FEATURES:

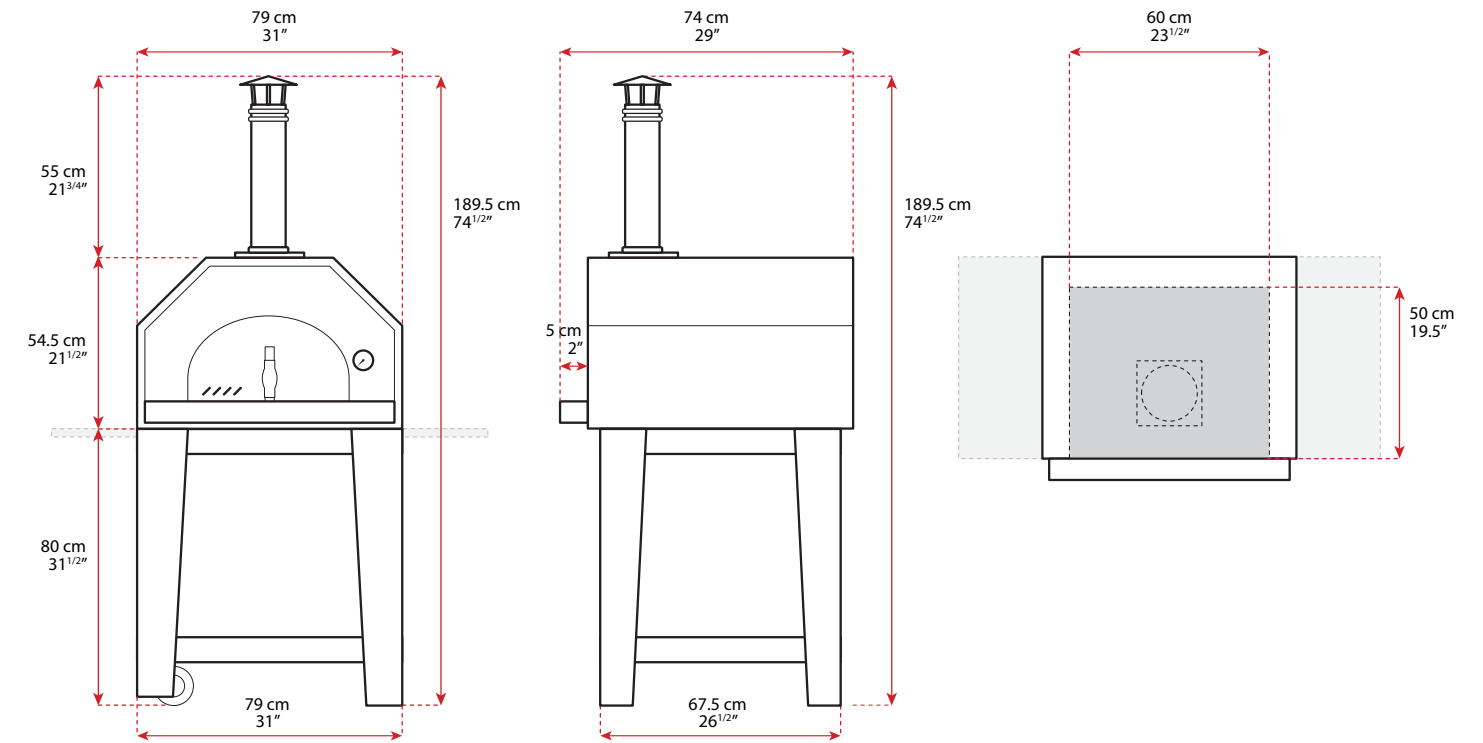
- Front panel in stainless steel
- roof varnished red or brown
- stand-alone trolley made with stainless steel or varnished (black for Gas models).
- **GAS MODELS:** Available for Natural Gas or Propane.



SPECIFICATIONS:

# CASA RESIDENTIAL OVENS

## CASA I-A



Note: Minimum clearances for the oven are 2in (50mm) on the ovens left, right, & back sides.  
 Note: The ovens chimney adds an additional 55cm (21 3/4") to the overall height of the oven.

### Model Information

Model	Chamber Size Inch		Chamber Size cm		Dimensions Inch			Dimensions cm			Weight	
	W	D	W	D	W	D	H	W	D	H	Lb	Kg
CASA I	23 1/2	19 1/2	60	50	31	29	21 1/2	79	74	54.5	170	77

### Stand Information

Model	Dimensions Inch			Dimensions cm			Weight	
	W	D	H	W	D	H	Lb	Kg
CASA I	31 1/8	26 1/2	31 1/2	79	67 1/2	80	44	20

### Shipping Information

Model	Dimensions Inch			Dimensions cm			Weight	
	W	D	H	W	D	H	Lb	Kg
CASA I	32 1/4	30	37	82.5	76.5	94	211.5	96

The manufacturer reserves the right to modify the technical data and models without previous notice.



**ITALIANA Foodtech**  
 815 Alness St. Toronto Ont. M3J 2H8 Canada  
 T: 647.577.3477 - F: 647.977.9214  
 info@italiana.ca / www.italiana.ca

SPECIFICATIONS:

# CASA RESIDENTIAL OVENS

## CASA I-B



The *Italiana FoodTech* CASA I Residential Oven is perfect for those who love traditional baking. This oven makes cooking easy, fast, and convenient while out in the open air. Just 10 minutes for the oven to pre-heat and only 2 more to bake the best homemade pizza! The CASA I is lightweight, space-saving and durable. Suited for outside use, you can use the CASA I anywhere, from in the garden to the balcony or porch!

### FEATURES:

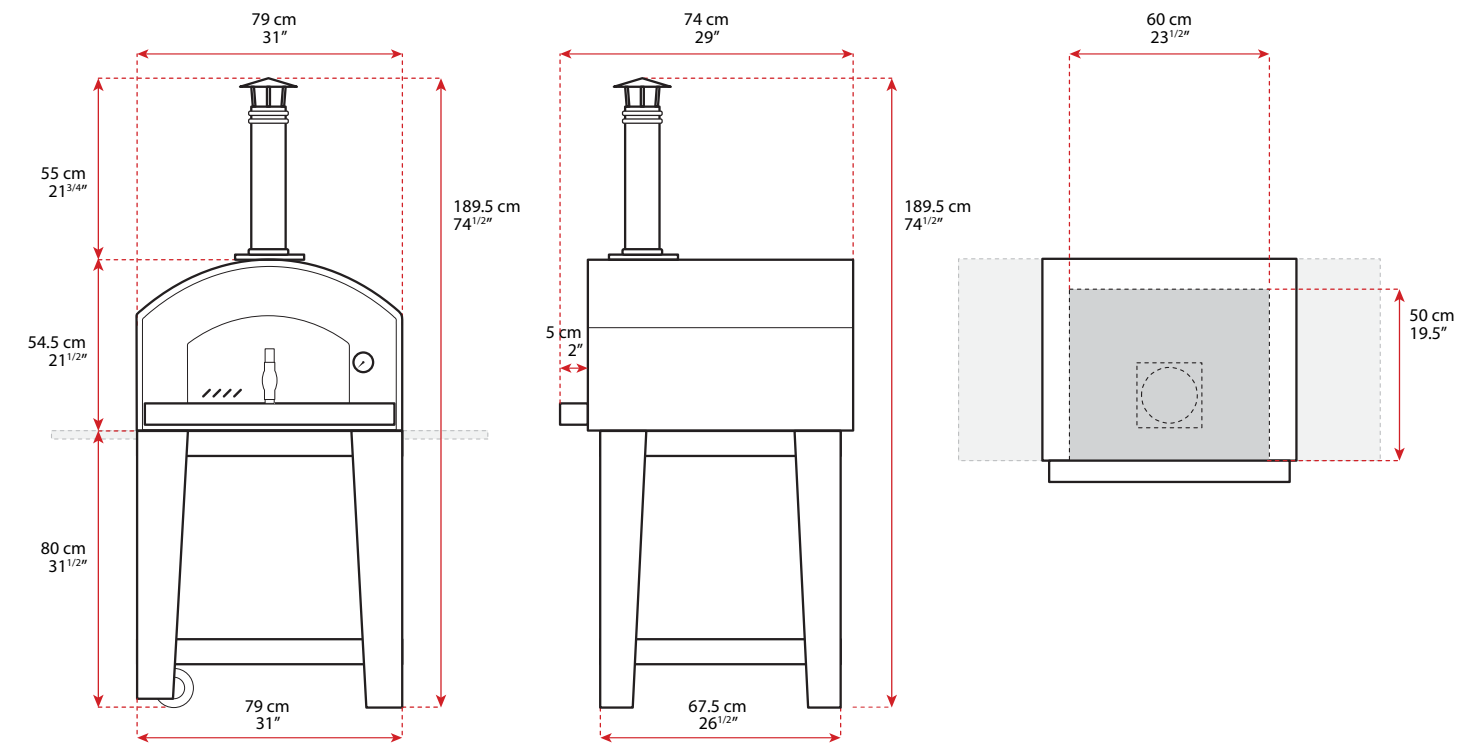
- Front panel in stainless steel
- roof varnished red or brown
- stand-alone trolley made with stainless steel or varnished (black for Gas models).
- **GAS MODELS:** Available for Natural Gas or Propane.



SPECIFICATIONS:

# CASA RESIDENTIAL OVENS

## CASA I-B



Note: Minimum clearances for the oven are 2in (50mm) on the ovens left, right, & back sides.  
 Note: The ovens chimney adds an additional 55cm (21 3/4") to the overall height of the oven.

### Model Information

Model	Chamber Size Inch		Chamber Size cm		Dimensions Inch			Dimensions cm			Weight	
	W	D	W	D	W	D	H	W	D	H	Lb	Kg
CASA I	23 <sup>1/2</sup>	19 <sup>1/2</sup>	60	50	31	29	21 <sup>1/2</sup>	79	74	54.5	170	77

### Stand Information

Model	Dimensions Inch			Dimensions cm			Weight	
	W	D	H	W	D	H	Lb	Kg
CASA I	31 <sup>1/8</sup>	26 <sup>1/2</sup>	31 <sup>1/2</sup>	79	67 <sup>1/2</sup>	80	44	20

### Shipping Information

Model	Dimensions Inch			Dimensions cm			Weight	
	W	D	H	W	D	H	Lb	Kg
CASA I	32 <sup>1/4</sup>	30	37	82.5	76.5	94	211.5	96

The manufacturer reserves the right to modify the technical data and models without previous notice.



**ITALIANA Foodtech**  
 815 Alness St. Toronto Ont. M3J 2H8 Canada  
 T: 647.577.3477 - F: 647.977.9214  
 info@italiana.ca / www.italiana.ca

SPECIFICATIONS:

# CASA RESIDENTIAL OVENS

## CASA II-A



The *Italiana FoodTech* CASA II is the perfect blend between size and traditional baking. With a larger chamber size than the CASA I, you can start to bake pizzas while still saving room for much more! The CASA II is lightweight, space-saving and durable. Suited for outside use, you can use the CASA II anywhere, from in the garden to the balcony or porch!

### FEATURES:

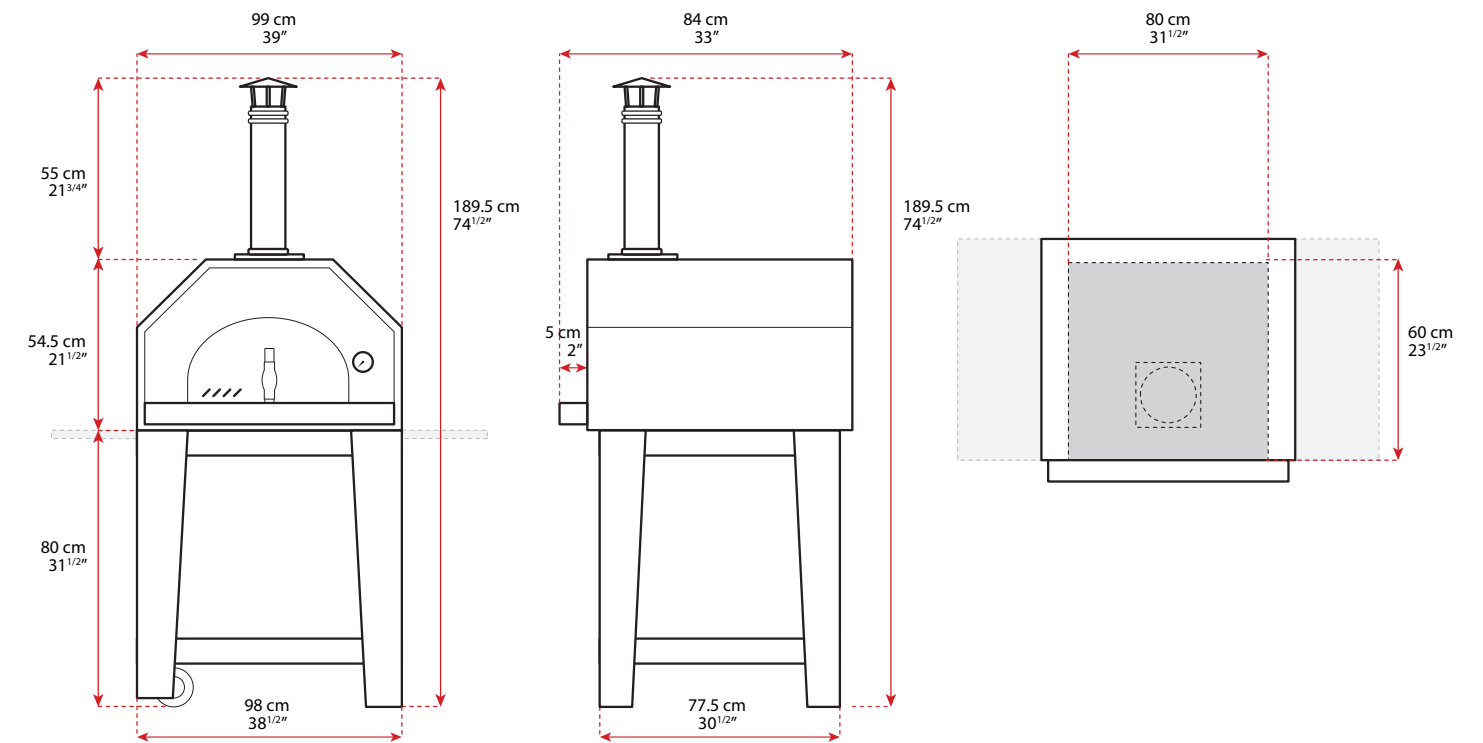
- Front panel in stainless steel
- roof varnished red or brown
- stand-alone trolley made with stainless steel or varnished (black for Gas models).
- **GAS MODELS:** Available for Natural Gas or Propane.



SPECIFICATIONS:

# CASA RESIDENTIAL OVENS

## CASA II-A



Note: Minimum clearances for the oven are 2in (50mm) on the ovens left, right, & back sides.  
 Note: The ovens chimney adds an additional 55cm (21 3/4") to the overall height of the oven.

### Model Information

Model	Chamber Size Inch		Chamber Size cm		Dimensions Inch			Dimensions cm			Weight	
	W	D	W	D	W	D	H	W	D	H	Lb	Kg
CASA II	31 <sup>1/2</sup>	23 <sup>1/2</sup>	80	60	39	33	21 <sup>1/2</sup>	99	84	54.5	240	108.5

### Stand Information

Model	Dimensions Inch			Dimensions cm			Weight	
	W	D	H	W	D	H	Lb	Kg
CASA II	38 <sup>1/2</sup>	30 <sup>1/2</sup>	31 <sup>1/2</sup>	98	77 <sup>1/2</sup>	80	47	21

### Shipping Information

Model	Dimensions Inch			Dimensions cm			Weight	
	W	D	H	W	D	H	Lb	Kg
CASA II	40	33 <sup>3/4</sup>	37	102	86	94	285.5	129.5

The manufacturer reserves the right to modify the technical data and models without previous notice.



**ITALIANA Foodtech**  
 815 Alness St. Toronto Ont. M3J 2H8 Canada  
 T: 647.577.3477 - F: 647.977.9214  
 info@italiana.ca / www.italiana.ca

SPECIFICATIONS:

# CASA RESIDENTIAL OVENS

## CASA II-B



The *Italiana FoodTech* CASA II is the perfect blend between size and traditional baking. With a larger chamber size than the CASA I, you can start to bake pizzas while still saving room for much more! The CASA II is lightweight, space-saving and durable. Suited for outside use, you can use the CASA II anywhere, from in the garden to the balcony or porch!

### FEATURES:

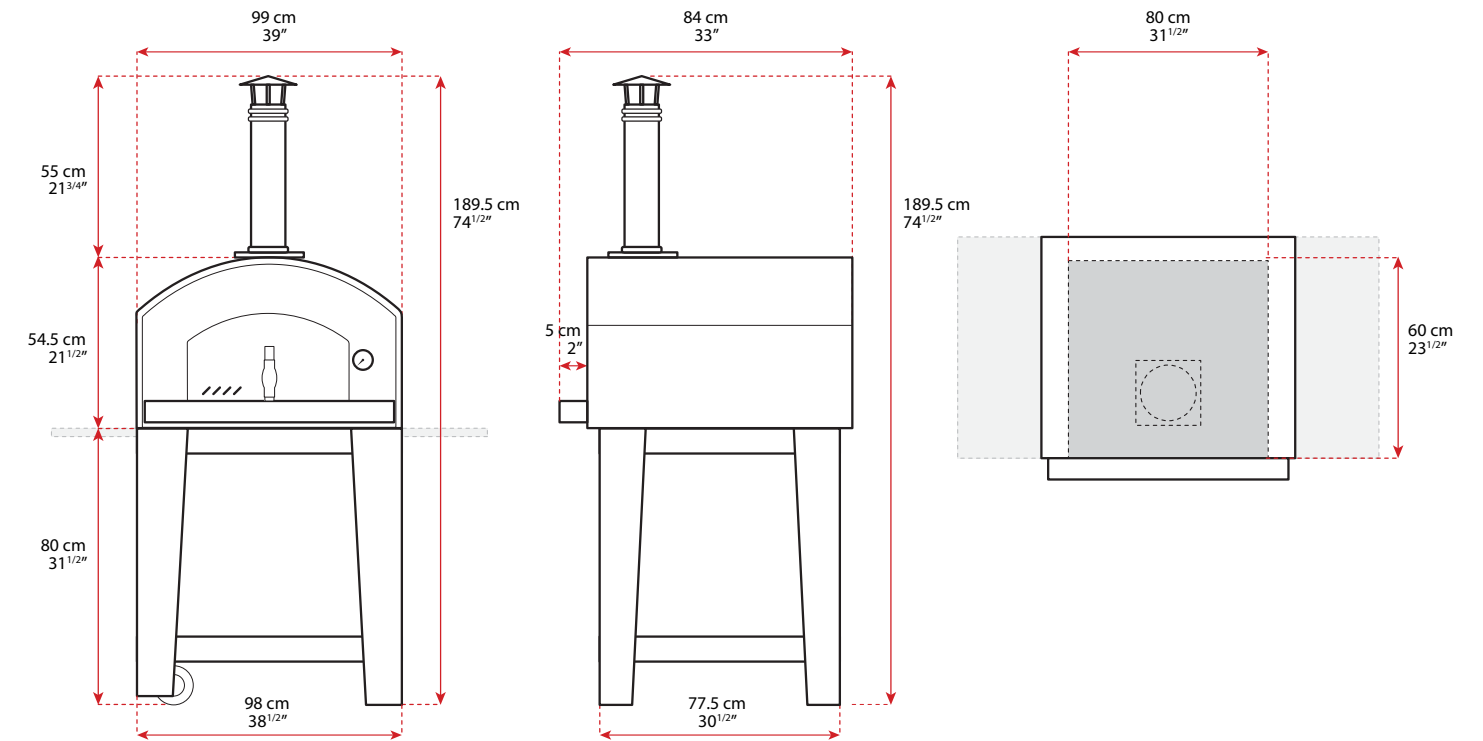
- Front panel in stainless steel
- roof varnished red or brown
- stand-alone trolley made with stainless steel or varnished (black for Gas models).
- **GAS MODELS:** Available for Natural Gas or Propane.



SPECIFICATIONS:

# CASA RESIDENTIAL OVENS

## CASA II-B



Note: Minimum clearances for the oven are 2in (50mm) on the ovens left, right, & back sides.  
 Note: The ovens chimney adds an additional 55cm (21<sup>3/4</sup>" ) to the overall height of the oven.

### Model Information

Model	Chamber Size Inch		Chamber Size cm		Dimensions Inch			Dimensions cm			Weight	
	W	D	W	D	W	D	H	W	D	H	Lb	Kg
CASA II	31 <sup>1/2</sup>	23 <sup>1/2</sup>	80	60	39	33	21 <sup>1/2</sup>	99	84	54.5	240	108.5

### Stand Information

Model	Dimensions Inch			Dimensions cm			Weight	
	W	D	H	W	D	H	Lb	Kg
CASA II	38 <sup>1/2</sup>	30 <sup>1/2</sup>	31 <sup>1/2</sup>	98	77 <sup>1/2</sup>	80	47	21

### Shipping Information

Model	Dimensions Inch			Dimensions cm			Weight	
	W	D	H	W	D	H	Lb	Kg
CASA II	40	33 <sup>3/4</sup>	37	102	86	94	285.5	129.5

The manufacturer reserves the right to modify the technical data and models without previous notice.



**ITALIANA Foodtech**  
 815 Alness St. Toronto Ont. M3J 2H8 Canada  
 T: 647.577.3477 - F: 647.977.9214  
 info@italiana.ca / www.italiana.ca

SPECIFICATIONS:

# CASA RESIDENTIAL OVENS

## CASA III



The Italiana FoodTech CASA II is the perfect blend between size and traditional baking. With a larger chamber size than the CASA I, you can start to bake pizzas while still saving room for much more! The CASA II is lightweight, space-saving and durable. Suited for outside use, you can use the CASA II anywhere, from in the garden to the balcony or porch!

### FEATURES:

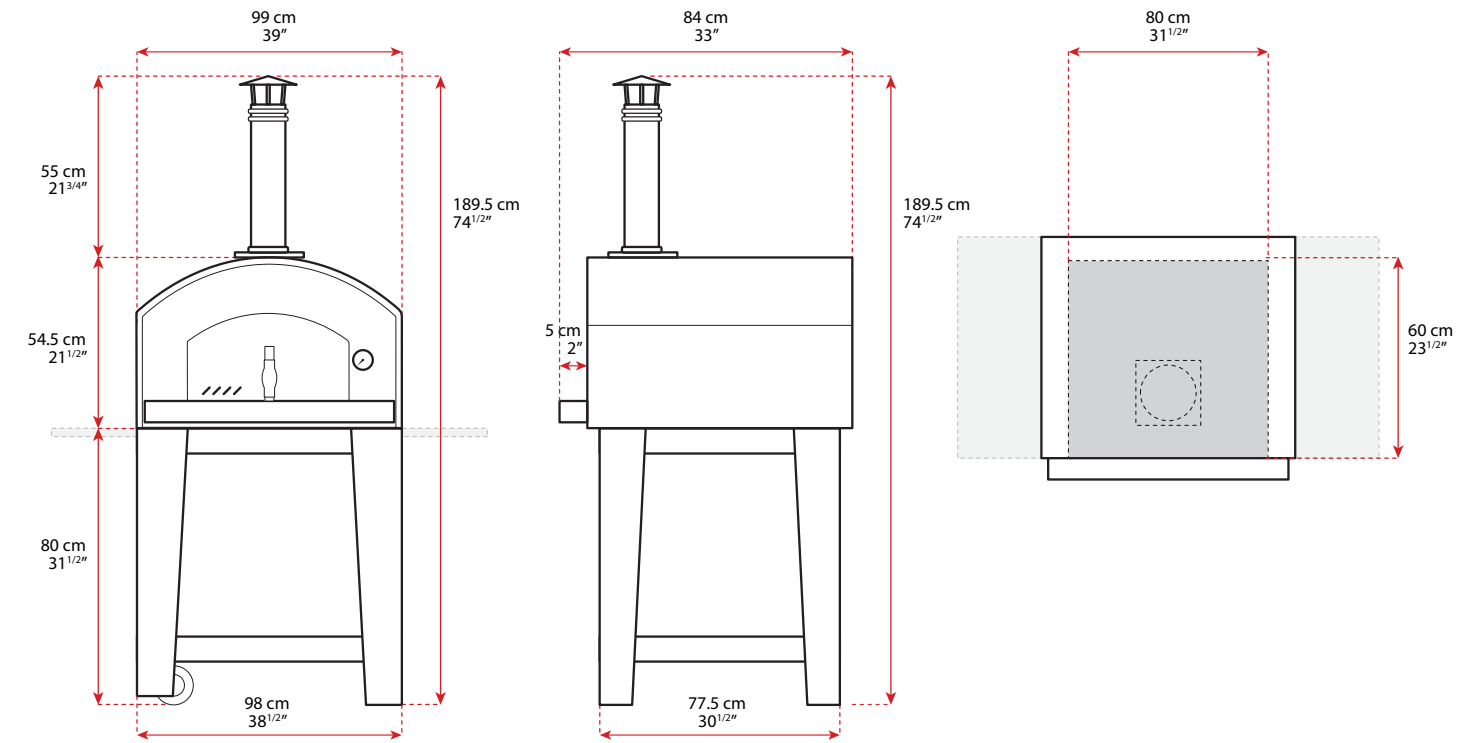
- Front panel in stainless steel
- roof varnished red or brown
- stand-alone trolley made with stainless steel or varnished (black for Gas models).
- **GAS MODELS:** Available for Natural Gas or Propane.



SPECIFICATIONS:

# CASA RESIDENTIAL OVENS

## CASA III



Note: Minimum clearances for the oven are 2in (50mm) on the ovens left, right, & back sides.  
 Note: The ovens chimney adds an additional 55cm (21 3/4") to the overall height of the oven.

### Model Information

Model	Chamber Size Inch		Chamber Size cm		Dimensions Inch			Dimensions cm			Weight	
	W	D	W	D	W	D	H	W	D	H	Lb	Kg
CASA III	31 <sup>1/2</sup>	35 <sup>1/2</sup>	80	90	39	44 <sup>3/4</sup>	21 <sup>1/2</sup>	99	114	54.5	350	158.5

### Stand Information

Model	Dimensions Inch			Dimensions cm			Weight	
	W	D	H	W	D	H	Lb	Kg
CASA III	38 <sup>1/2</sup>	30 <sup>1/2</sup>	31 <sup>1/2</sup>	98	77 <sup>1/2</sup>	80	47	21

### Shipping Information

Model	Dimensions Inch			Dimensions cm			Weight	
	W	D	H	W	D	H	Lb	Kg
CASA II	39 <sup>1/4</sup>	47 <sup>1/4</sup>	63	100	120	160	440	200

The manufacturer reserves the right to modify the technical data and models without previous notice.



ITALIANA Foodtech  
 815 Alness St. Toronto Ont. M3J 2H8 Canada  
 T: 647.577.3477 - F: 647.977.9214  
 info@italiana.ca / www.italiana.ca