



CANOPY FIXTURES

Parking Lots, Garages, Gas Stations, Corridors, Schools,
Shopping Malls, Etc.



CATALOG

888-241-9498 | info@ecilight.com

957 Nasa Parkway #106 Houston, TX 77058

CANOPY FIXTURES



Canopy lights are great for underpasses, loading docks and parking garages, as well as wet locations or where vandal-resistant lighting is required.



ECI-C-LPRWP Series



ECI-C-LPRA Series



ECI-C-LPR Series



ECI-C-HPSQR Series



After

Before





Canopy Fixtures

ECI-C-LPRWP Series

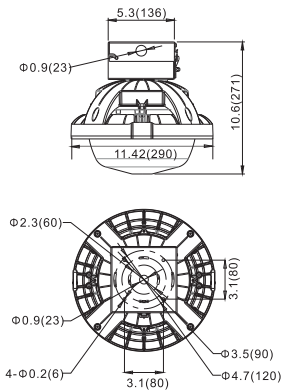


Applications

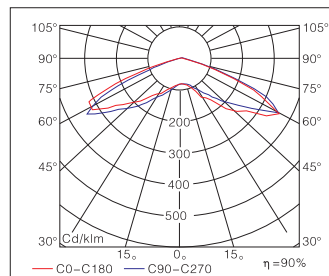
Parking Lots, Garages, Gas Stations, Corridors, Schools, Shopping Malls, etc.

- Efficiency of chips: 150-165 lm/w, 170-180 lm/w
- LENS: Optical grade PC, anti-UV oxidation.
- Beam Angle: TYPE V
- Housing: die casting aluminum housing with excellent heat dissipation, surface treated with powder coated finish for corrosion and static resistance.
- Input voltage: 100-277 VAC, 50/60 HZ
- LED module can be dismantled separately for maintenance.
- LED driver: constant current, efficiency is up to 92%, PF ≥ 0.95.
- IP class: IP 65

Dimension [Inch(mm)]



Distribution Curve Flux



Type V

Ordering Information

Example: **ECI-1CLPRWP-40-750-G-5-1**

Company code	Voltage	Type	Power	Ra	Colour Temp.	Colour Options	Optic	Options
ECI	1 100~277VAC	CLPRWP	40 [40W 4450Lumens]	7 70	27 2700K	G Green (standard)	5 Type V	1 0~10V dimming
	2 200~240VAC		40P (40W 4900Lumens)	8	30 3000K	B Black		2 Timing dimming
	3 100~120VAC		60 (60W 6750Lumens)	80	40 4000K	C Coffee		3 Occupancy sensor (dimming control/ on off control)
	4 277~480VAC		80 (80W 8350Lumens)	9	50 5000K	S Silver		5 Wireless
	5 347~480VAC		80P (80W 9150Lumens)	90	57 5700K			
					65 6500K			



Canopy Fixtures

ECI-C-LPRA Series



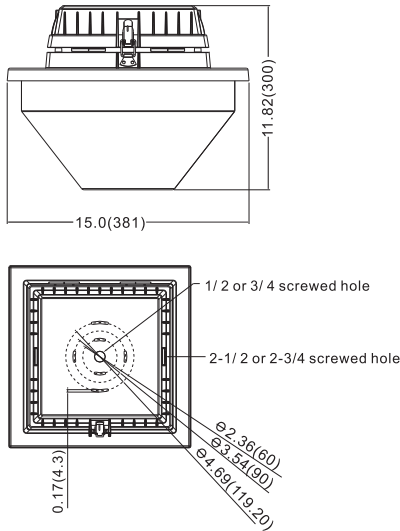
UL1598



Applications

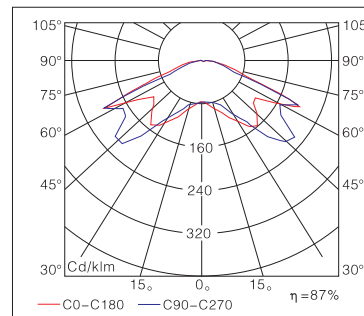
Parking Lots, Garages, Gas Stations, Corridors, Schools, Shopping Malls, etc.

Dimension [Inch(mm)]



- Efficiency of chips: 150-165 lm/w, 170-180 lm/w
- Beam Angle: Type V
- Cover: high light transmittance PC, anti-UV oxidation.
- Housing: die casting aluminum housing with excellent heat dissipation, surface treated with powder coated finish for corrosion and static resistance.
- Input voltage: 100-277 VAC, 50/60 HZ
- LED driver: constant current, efficiency is up to 92%, PF ≥ 0.95.
- IP class: IP 53

Distribution Curve Flux



ECI-1CLPRA-80-750-5

Ordering Information

Example: ECI-1CLPRA-40-750-C-5-1

Company code	Voltage	Type	Power	Ra	Colour Temp.	Colour Options	Optic	Options
ECI	1	CLPRA	40 (40W 4450Lumens)	7	27	C	5	1
	100~277VAC		40P(40W 4900Lumens)	70	2700K	Coffee (standard)	Type V	0~10V dimming
	2		60 (60W 6750Lumens)	8	30	B	2	Timing dimming
	200~240VAC		60P(60W 7400Lumens)	80	3000K	Black	3	Occupancy sensor
	3		80 (80W 8900Lumens)	9	40	S	3	(dimming control/
	100~120VAC		80P(80W 9800Lumens)	90	4000K	Silver	3	on off control)
	4		100 (100W 11700Lumens)		50		5	Wireless
	277~480VAC		100P (100W 12850Lumens)		57			
	5				5700K			
	347~480VAC				65			
			6500K					



Canopy Fixtures

ECI-C-LPR-Series



UL1598

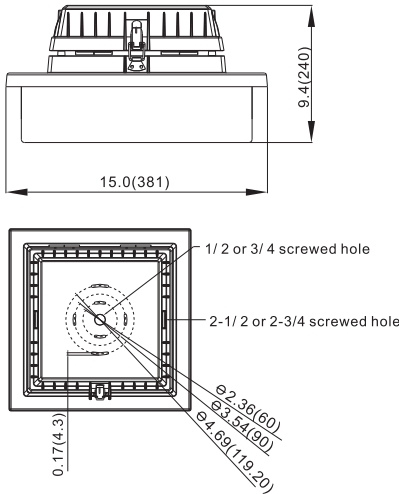


Applications

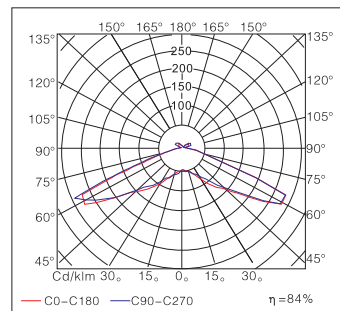
Parking Lots, Garages, Gas Stations, Corridors, Schools, Shopping Malls, etc.

- Efficiency of chips: 150-165 lm/w, 170-180 lm/w
- Beam Angle: Type V
- Cover: high light transmittance PC, anti-UV oxidation.
- Housing: die casting aluminum housing with excellent heat dissipation, surface treated with powder coated finish for corrosion and static resistance.
- Input voltage: 100-277 VAC, 50/60 HZ
- LED driver: constant current, efficiency is up to 92%, PF ≥ 0.95.
- IP class: IP 53

Dimension [Inch(mm)]



Distribution Curve Flux



ECI-1CLPR-80-750-5

Ordering Information

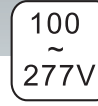
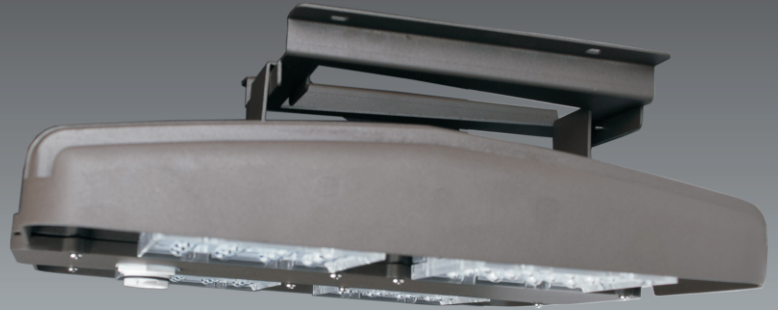
Example: **ECI-CLPR-40-750-C-5-1**

Company code	Voltage	Type	Power	Ra	Colour Temp.	Colour Options	Optic	Options	
ECI	1 100-277VAC	CLPR	40 (40W 4450Lumens)	7	27	C Coffee (standard) B Black S Silver	5 Type V	1 0-10V dimming 2 Timing dimming 3 Occupancy sensor (dimming control/ on off control) 5 Wireless	
	2 200-240VAC		40P (40W 4900Lumens)	70	2700K				
	3 100-120VAC		60 (60W 6750Lumens)	8	30				3000K
	4 277-480VAC		60P (60W 7400Lumens)	80	40				4000K
	5 347-480VAC		80 (80W 8900Lumens)	9	50				5000K
		80P (80W 9800Lumens)	90	57	5700K				
		100 (100W 11700Lumens)		65	6500K				
		100P (100W 12850Lumens)		6500K					



Canopy Fixtures

ECI-C-HPSQR Series

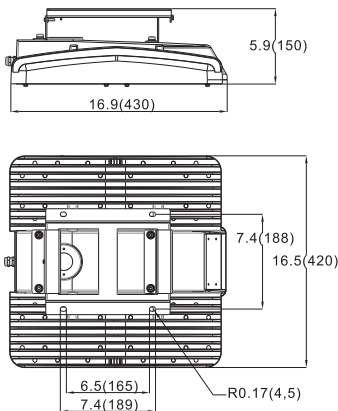


Applications

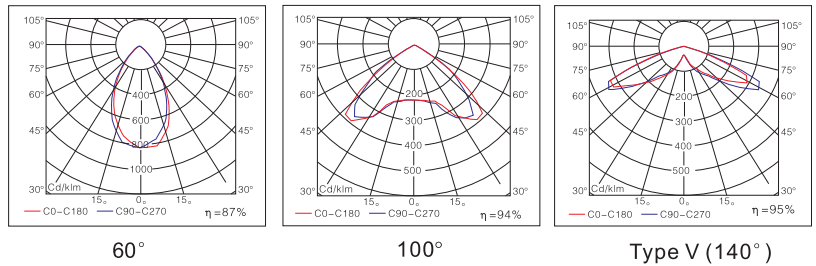
Parking Lots, Garages, Gas Stations, Corridors, Schools, Shopping Malls, etc.

- Efficiency of chips: 150-165 lm/w, 170-180 lm/w
- LENS: Optical grade PC, anti-UV oxidation.
- Beam Angle: 60° , 100° ,140° , special beam angle is available upon request.
- Housing: die casting aluminum housing with excellent heat dissipation, surface treated with powder coated finish for corrosion and static resistance.
- Input voltage: 100-277 VAC, 277~480VAC,50/60 HZ
- LED module can be dismantled separately for maintenance.
- LED driver: constant current, efficiency is up to 92%, PF≥0.95.
- IP class: IP 65

Dimension[Inch(mm)]



Distribution Curve Flux



Ordering Information

Example: **ECI-CHPSQR-200-750-C-060-1**

Company code	Voltage	Type	Power	Ra	Colour Temp.	Colour Options	Optic	Options
ECI	1 100~277VAC	CHPSQR	150 (150W 19200Lumens)	7	27	C	060	1 0~10V dimming
	2 200~240VAC		150P (150W 21100Lumens)	70	2700K	Coffee(standard)	60°	2
	3 100~120VAC		200 (200W 23400Lumens)	8	3000K	B	100	3
	4 277~480VAC		200P(200W 25750Lumens)	80	4000K	Black	100°	Occupancy sensor
	5 347~480VAC		240 (240W 26150Lumens)	9	4000K	S	140°	(dimming control/ on off control)
			240P (240W 28750Lumens)	90	5000K	Silver		5
			300 (300W 35400Lumens)		57			Wireless
			300P (300W 38950Lumens)		65			
					6500K			