

jason.l

your office furniture mate



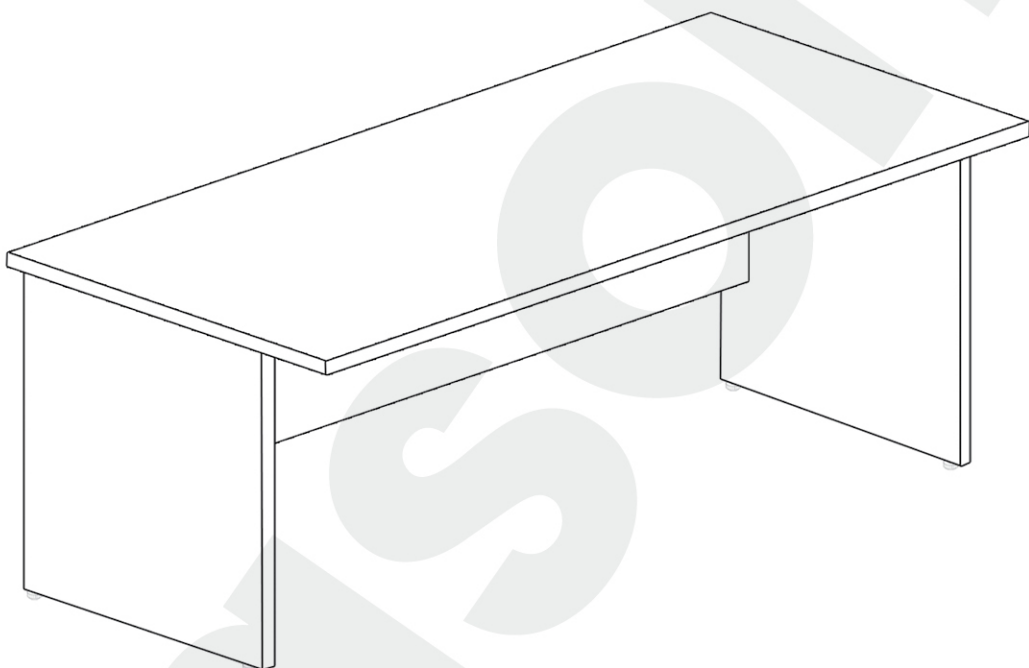
www.jasonl.com.au

1300 527 665

customerservice@jasonl.com.au

LITEWALL PANEL DESK assembly

jason.l
your office furniture mate



Needed

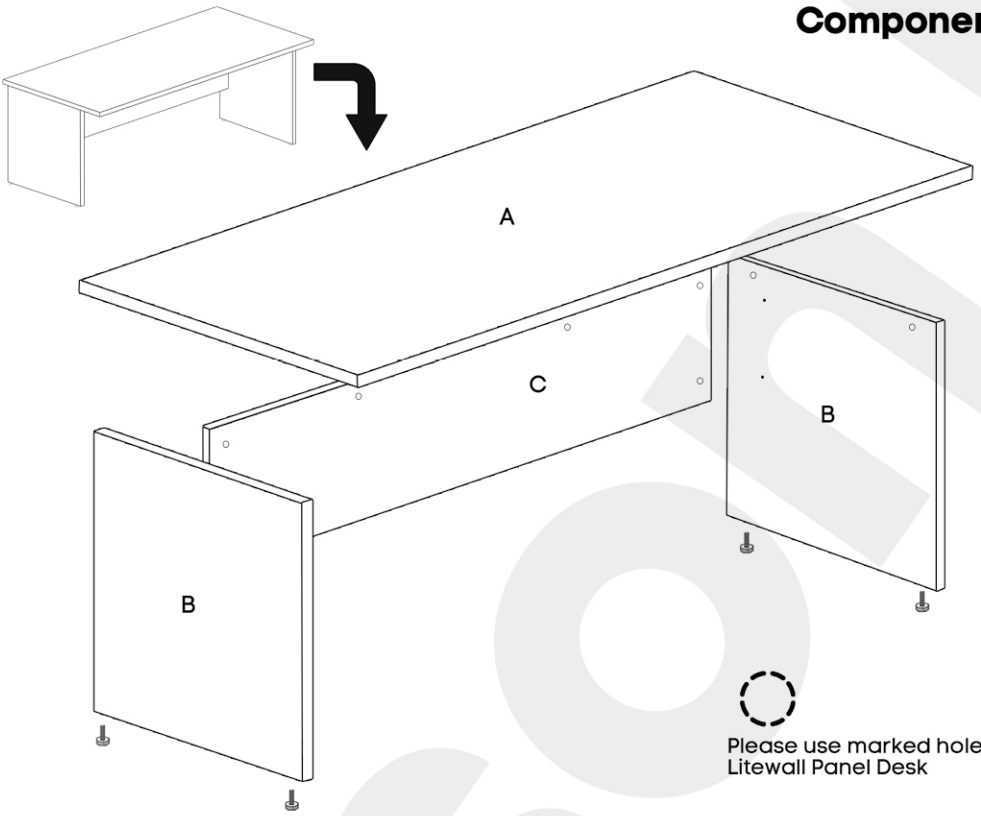


Need help!

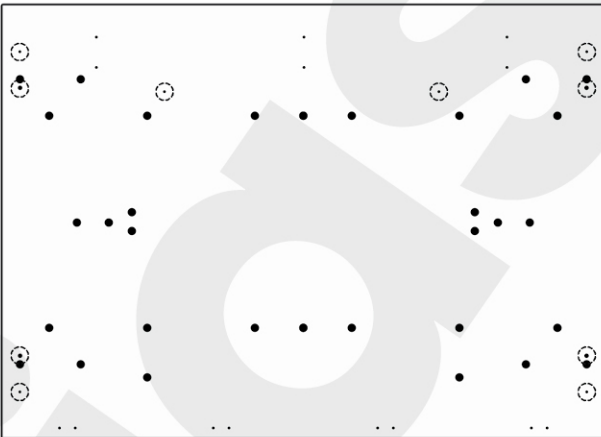
Call us on

1300 527 665

Components

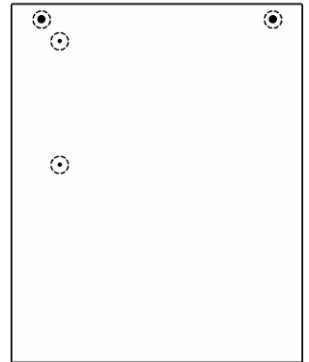


Please use marked holes for Litewall Panel Desk



1x A

Litewall Panel Desk Top
1200 | 1600 | 1800mm



2x B

Litewall Panel Desk legs

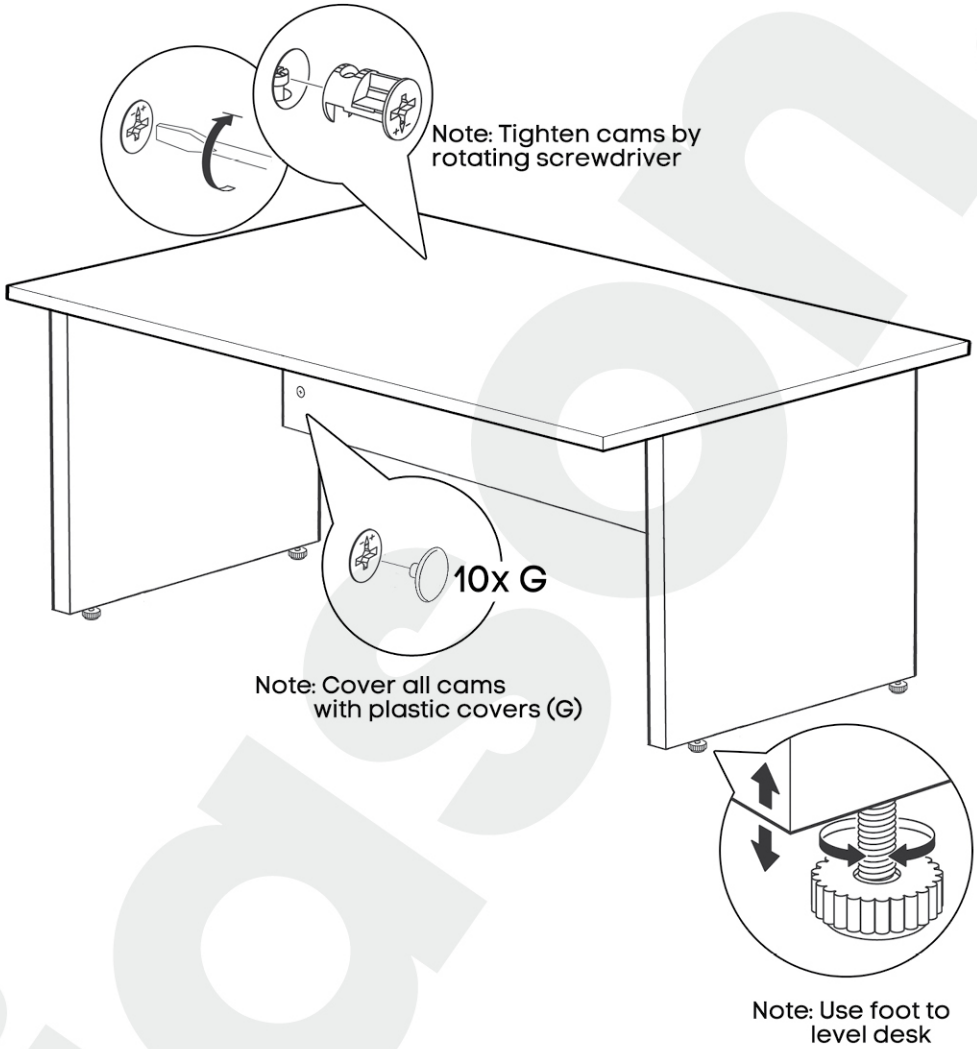


1x C

Litewall Panel Desk
Panel Modesty

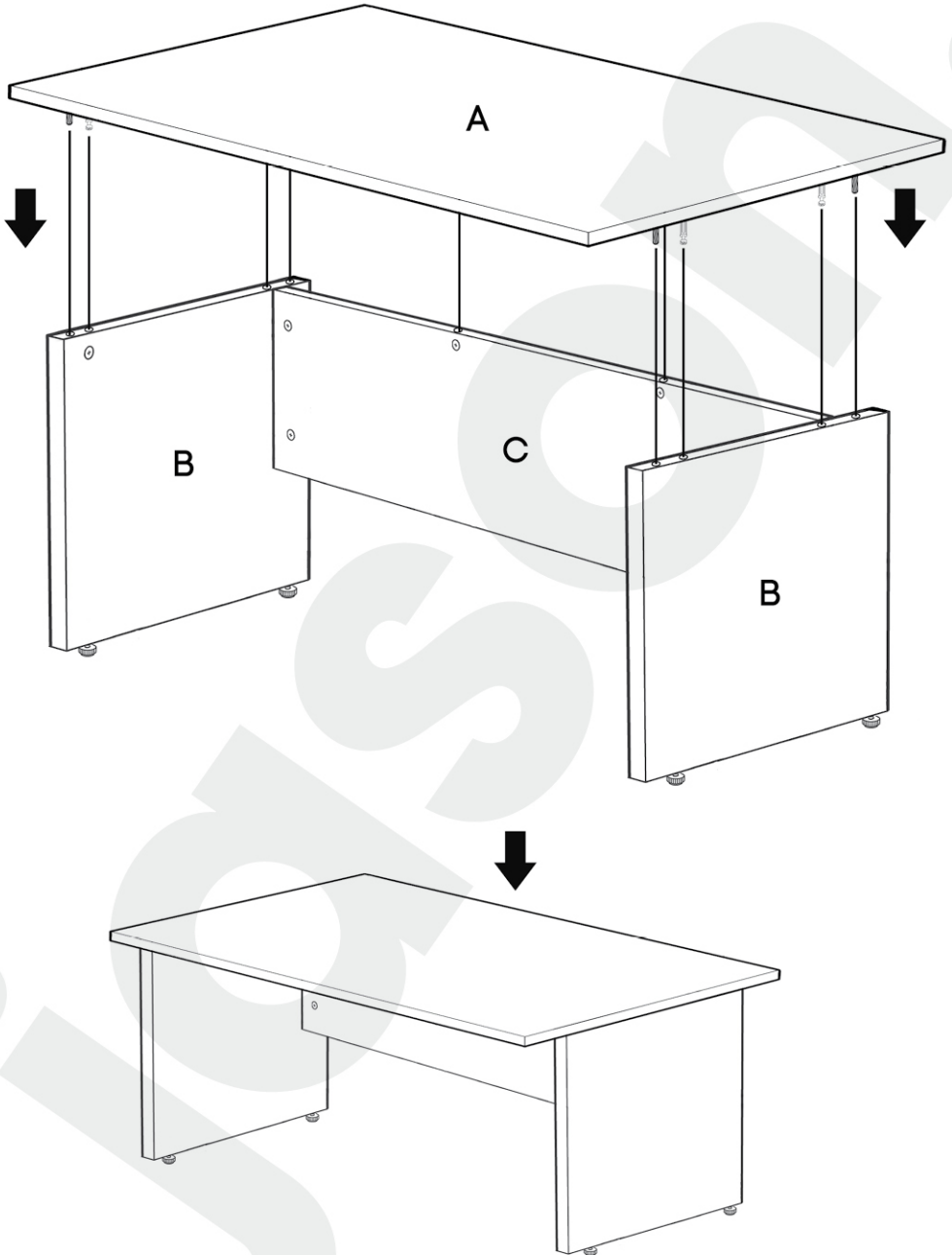
Step 5

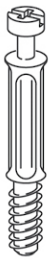
Tighten and cover cams



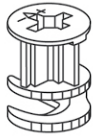
Step 4

Rotate Desk base and attach Desk top panel (A).





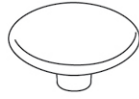
10x D
Metal Pin



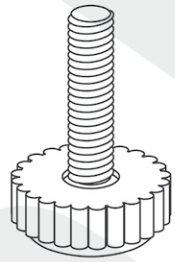
10x E
Cam



4x F
Wood Pin



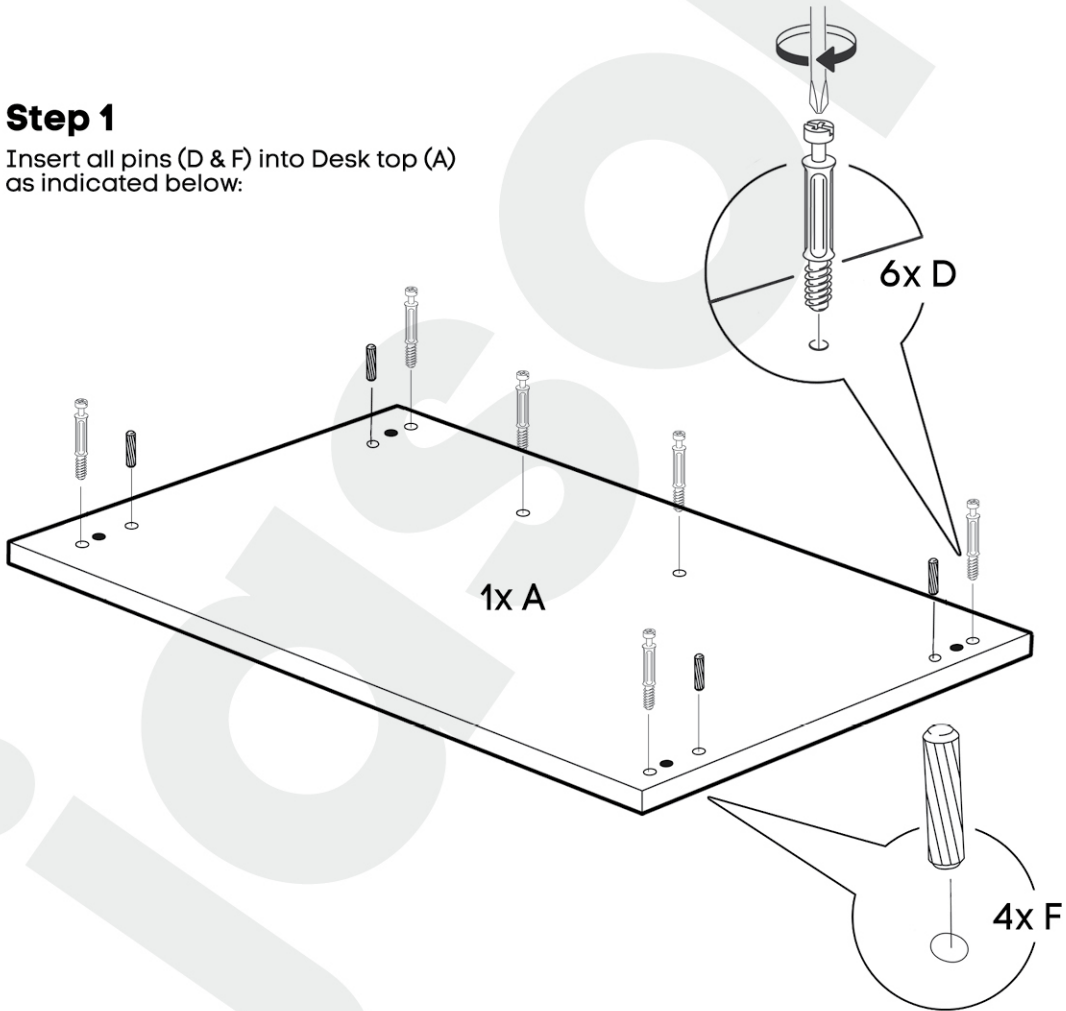
10x G
Cam Cover



4x H
Foot

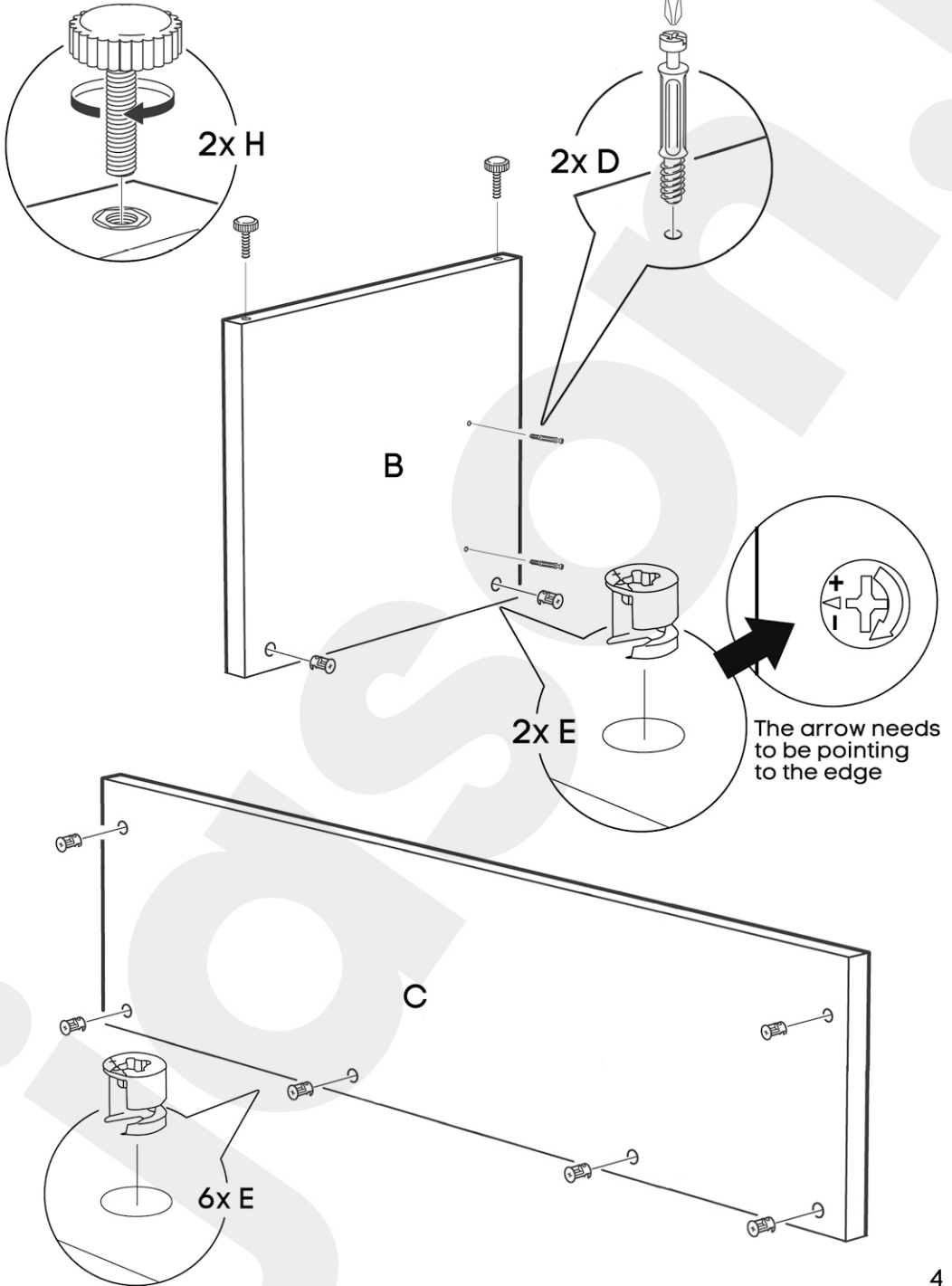
Step 1

Insert all pins (D & F) into Desk top (A) as indicated below:

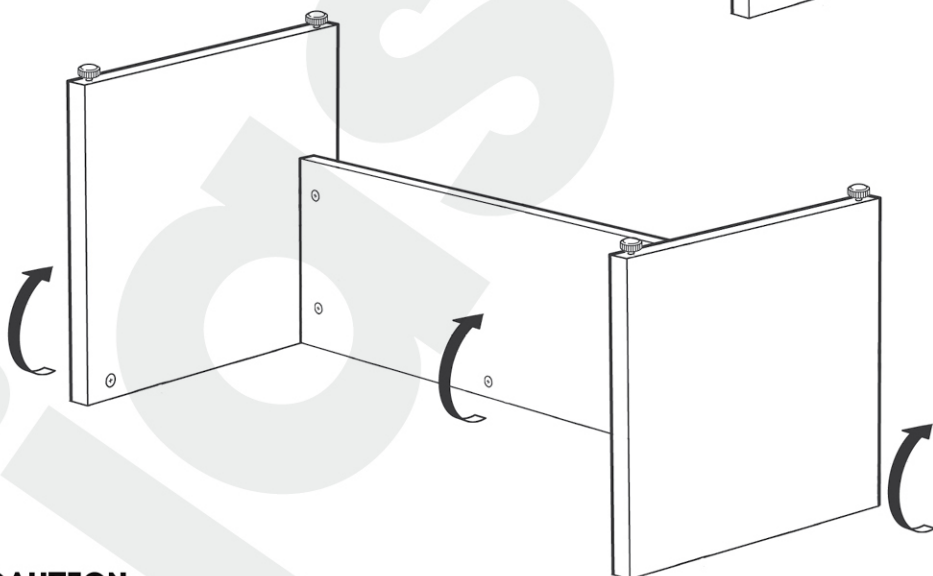
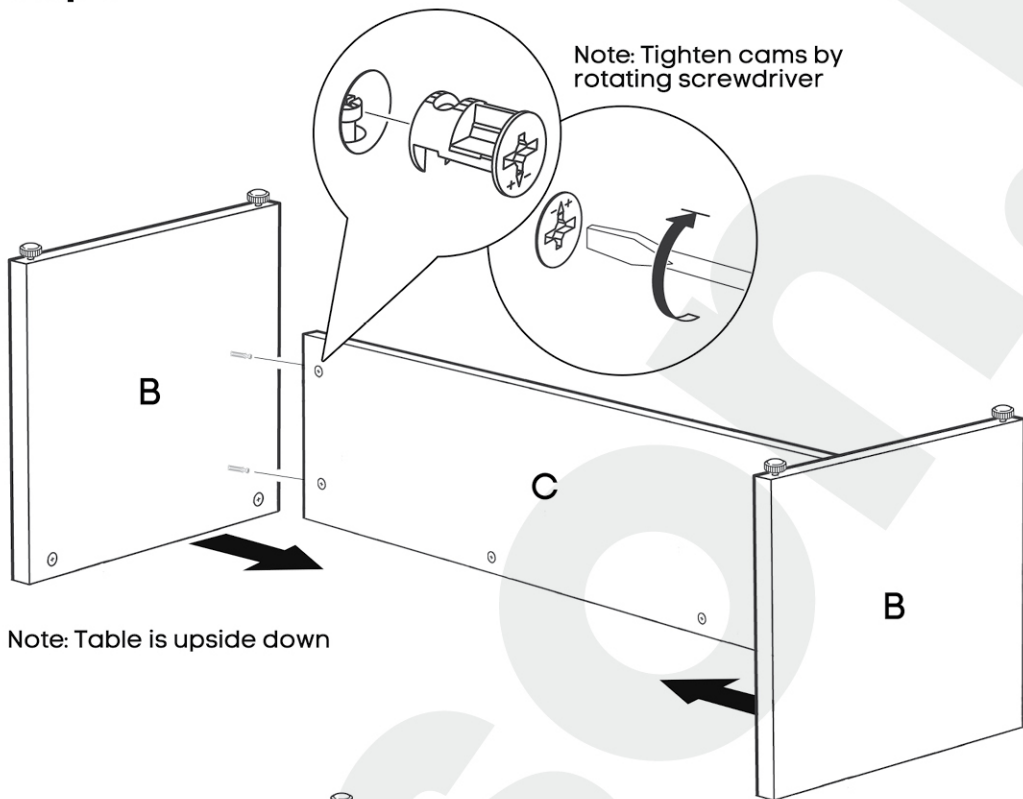


Step 2

Insert all cams (E) into panels (B & C) as indicated below:



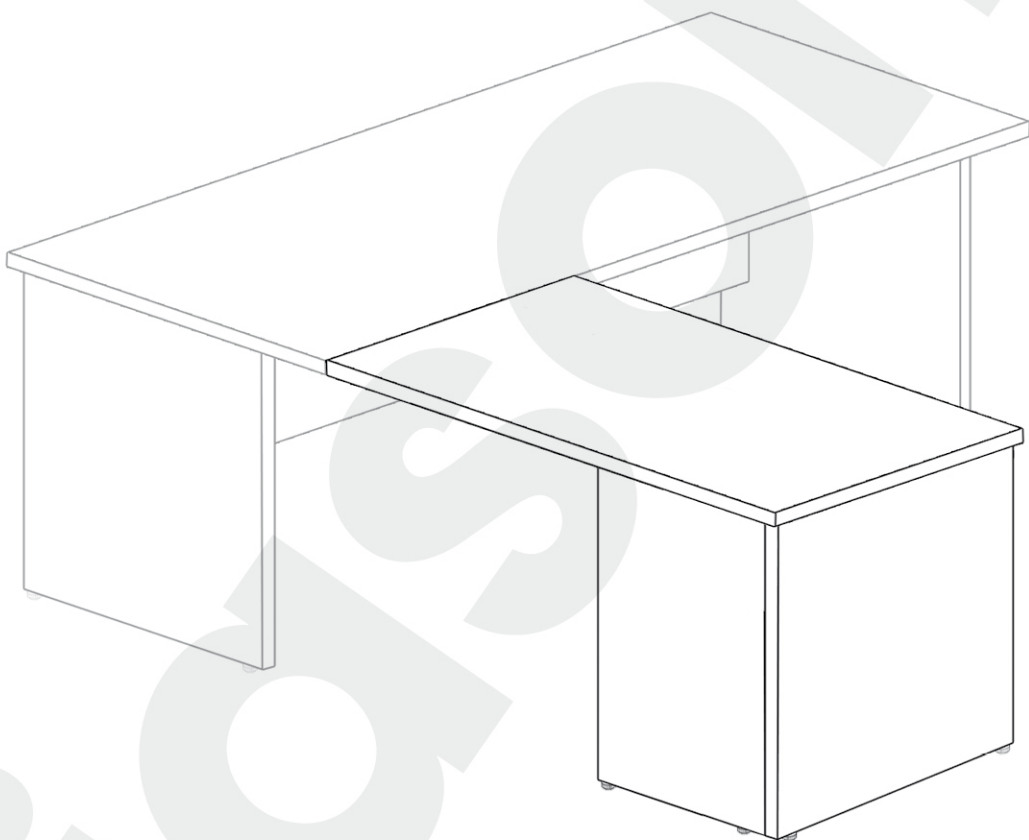
Step 3



CAUTION:
2 people to turn desk over

LITEWALL PANEL DESK RETURN assembly

jason.l
your office furniture mate



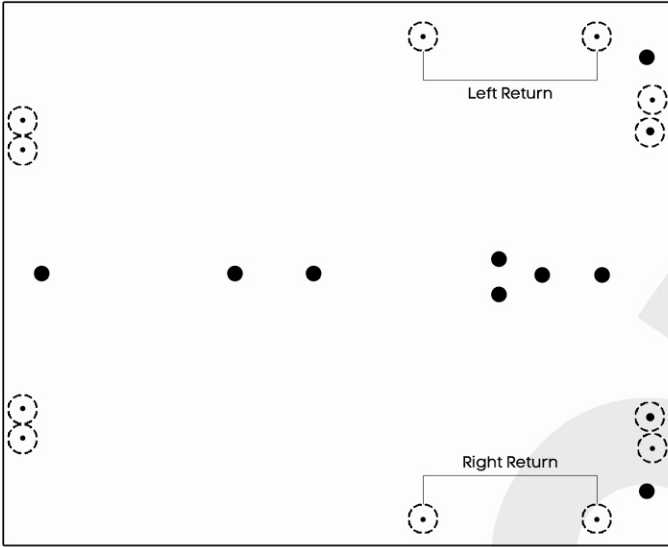
Needed



Need help!

Call us on
1300 527 665

Components

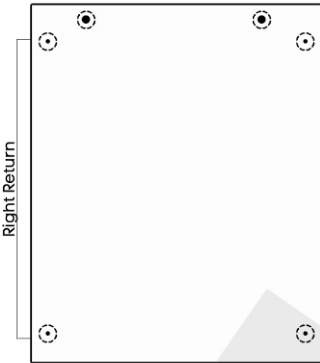


1x A

Litewall
Panel Desk
Return
750 | 1000mm

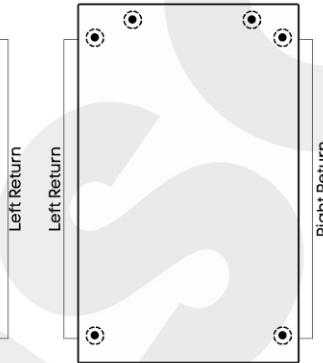


Please use marked holes for
Litewall Panel Desk Return



1x B

Litewall Panel Desk Return legs



1x C

Litewall Panel Desk Return legs



8x D
Wood Screw



2x E

Connector Plate



6x F

Metal Pin



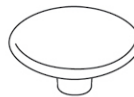
6x G

Cam



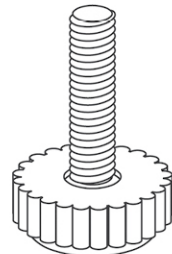
2x H

Wood Pin



6x I

Cam Cover

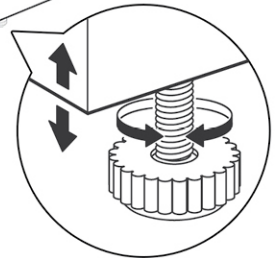
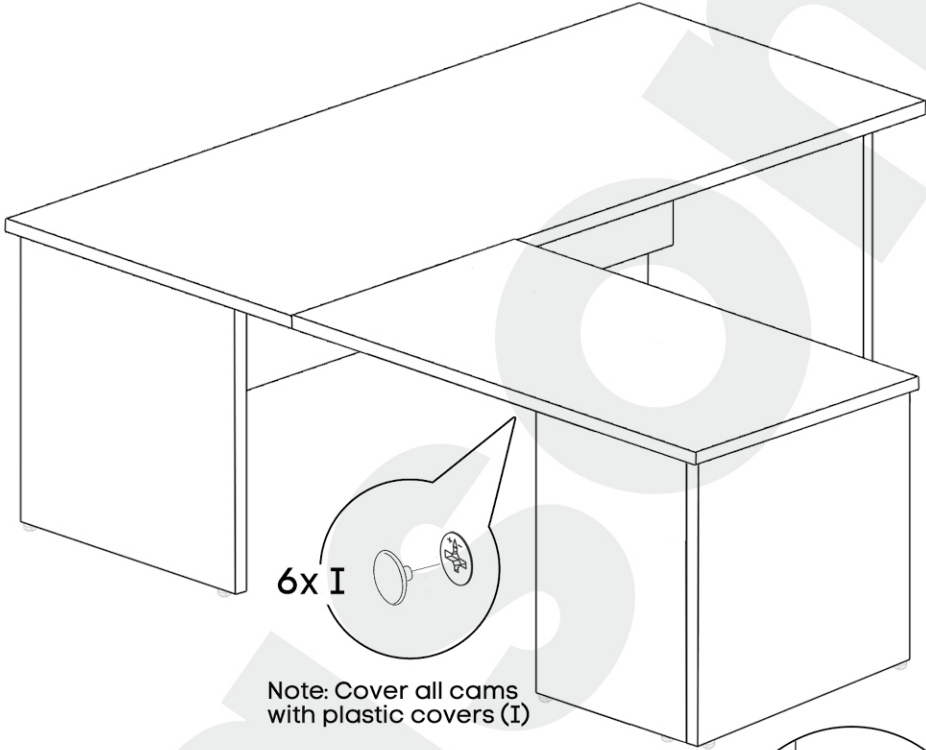


4x J

Foot

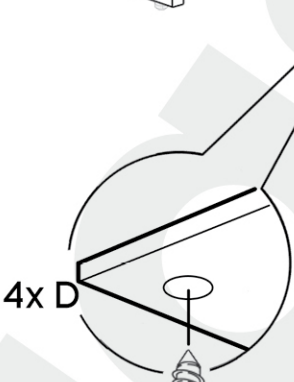
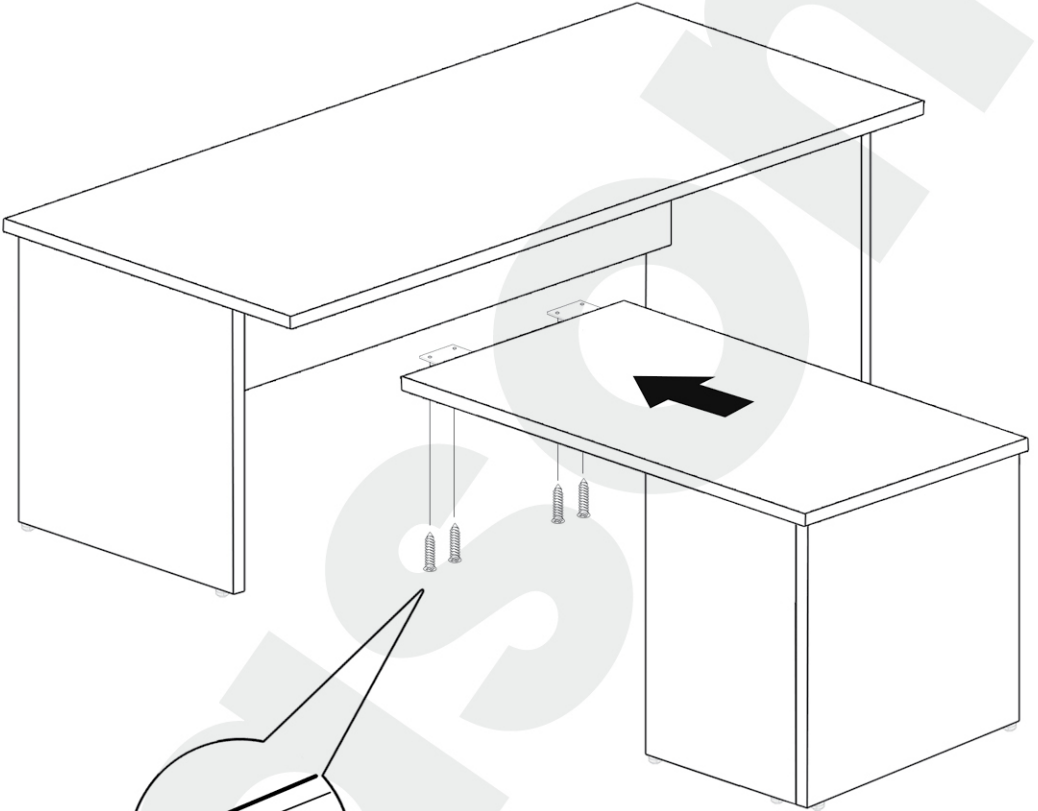
Step 6

Cover cams



Step 5

Connect Return desk to main desk by tightening screw (D)

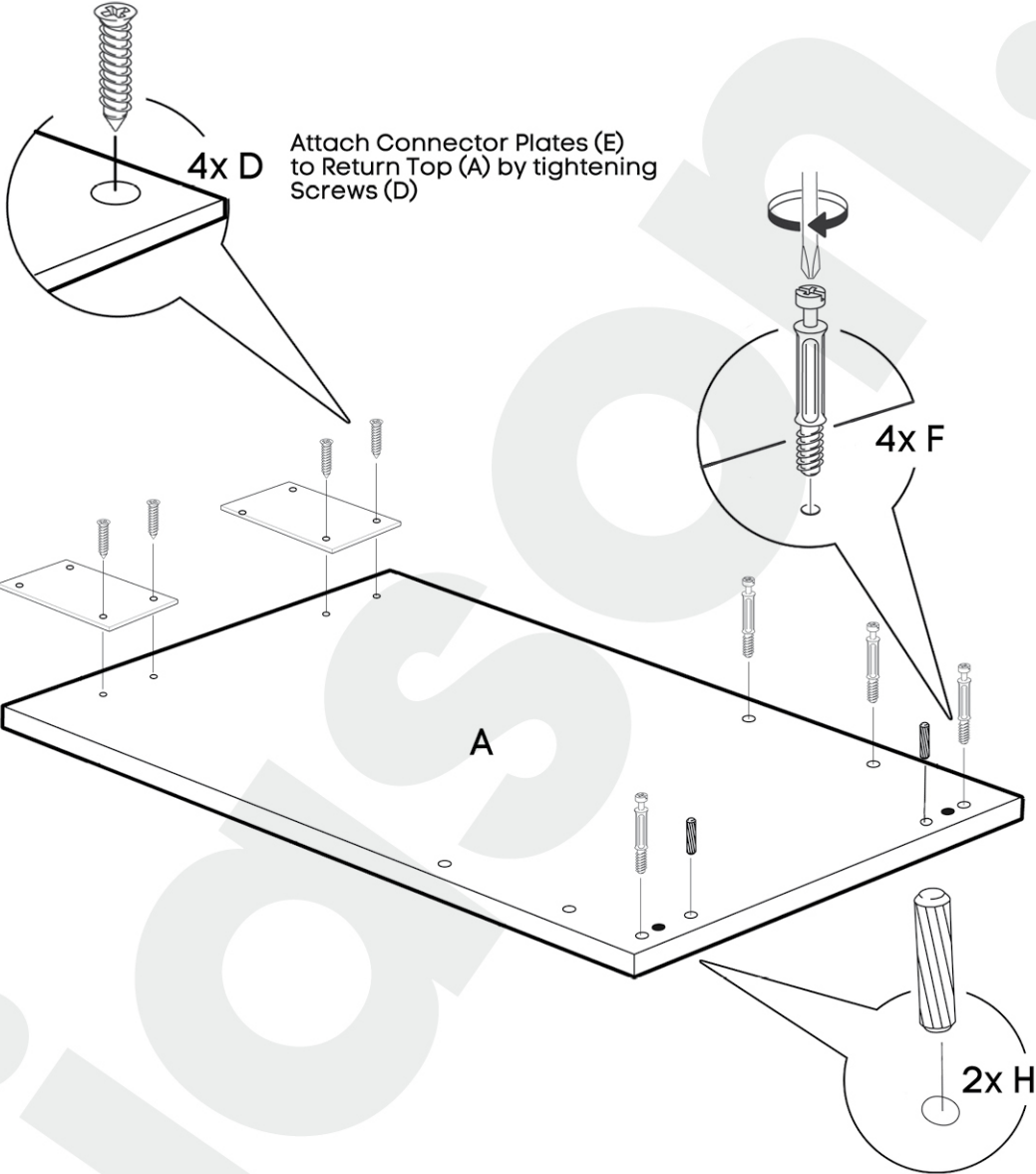


Attach Connector Plates (E) to Return Top (A) by tightening Screws (D)



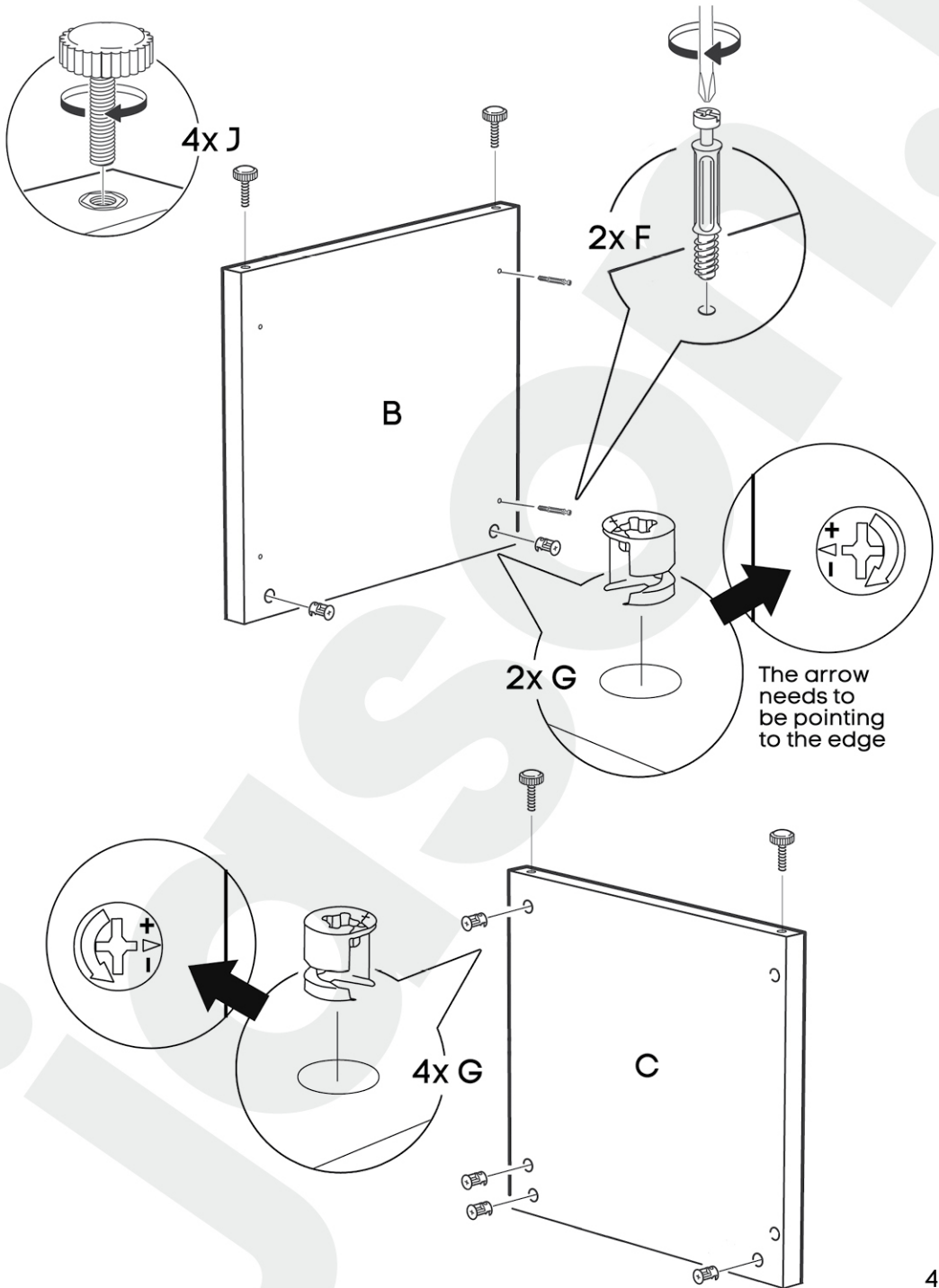
Step 1

Insert all pins (F & H) into Desk top (A) as indicated below:



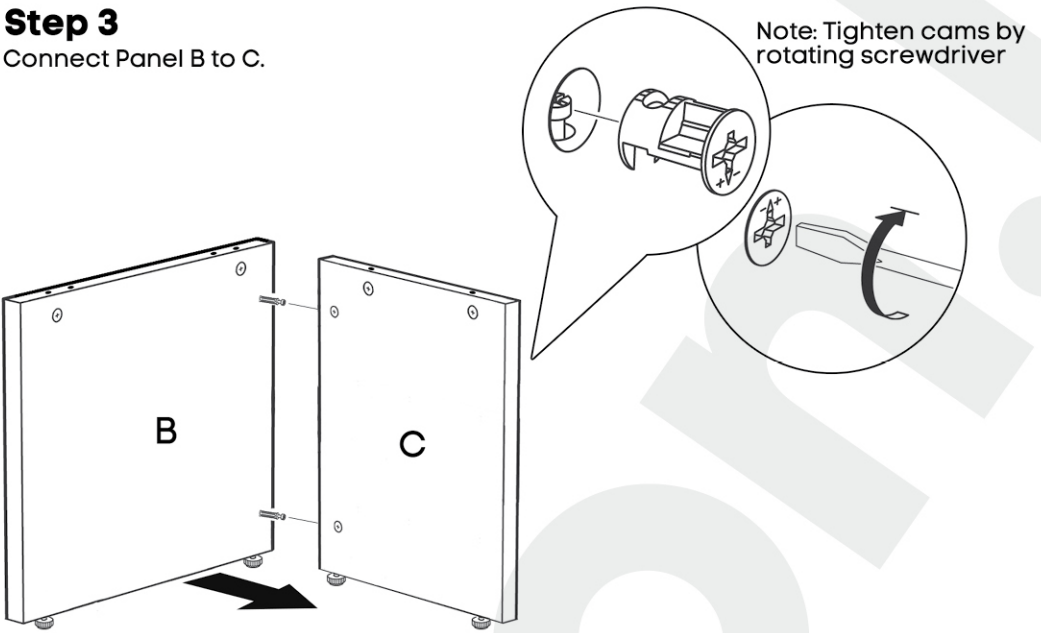
Step 2

Insert all cams (G) into panels (B & C) as indicated below:



Step 3

Connect Panel B to C.



Step 4

Attach Desk top panel (A) to panels B and C.

