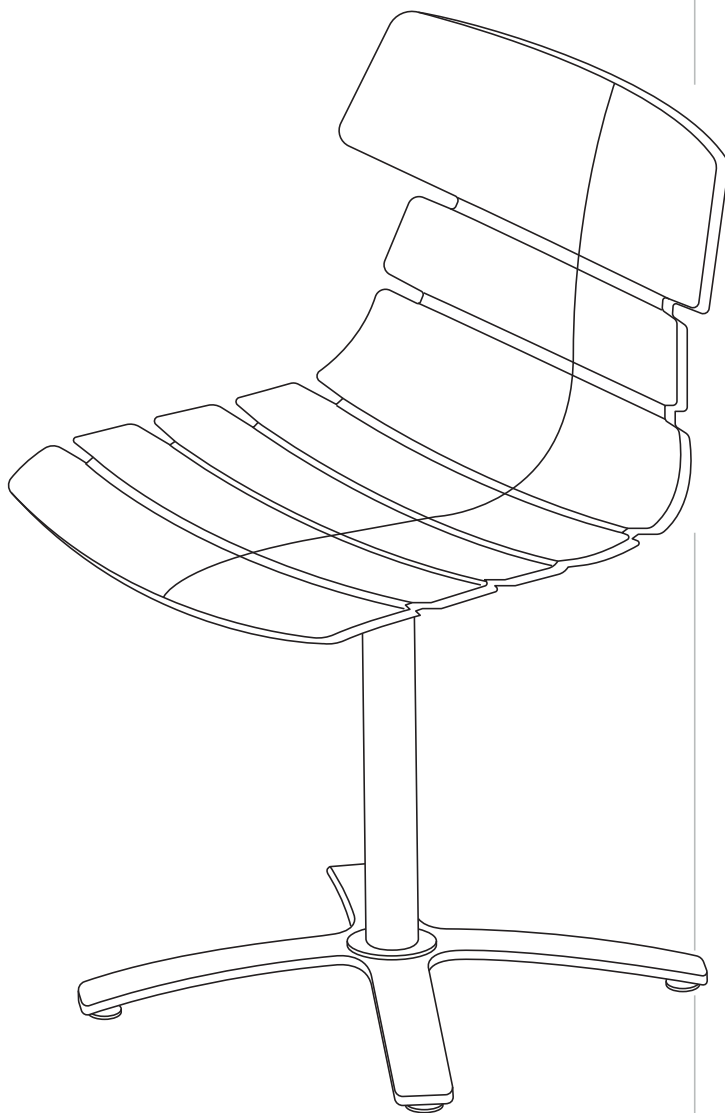


Wave chair Swivel

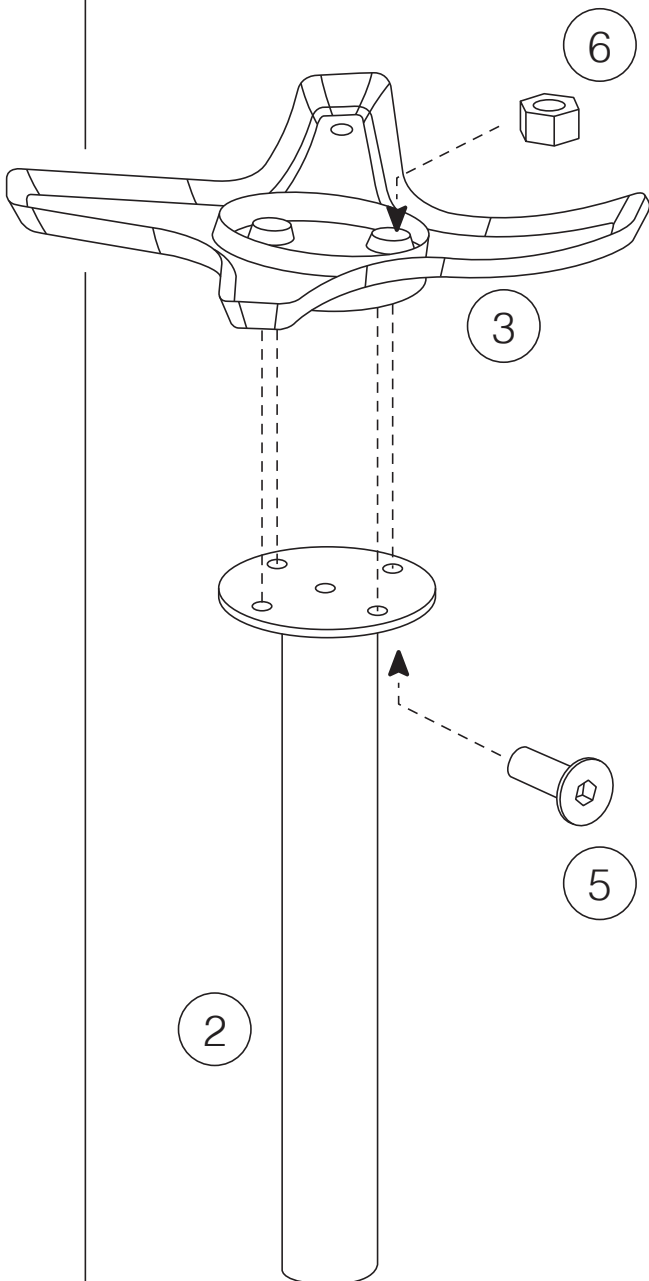


	Picture	Quantity
1		1
2		1
3		1
4		1
5	 M6x16	8
6		4
7		4
		4mm x1
		6mm x1



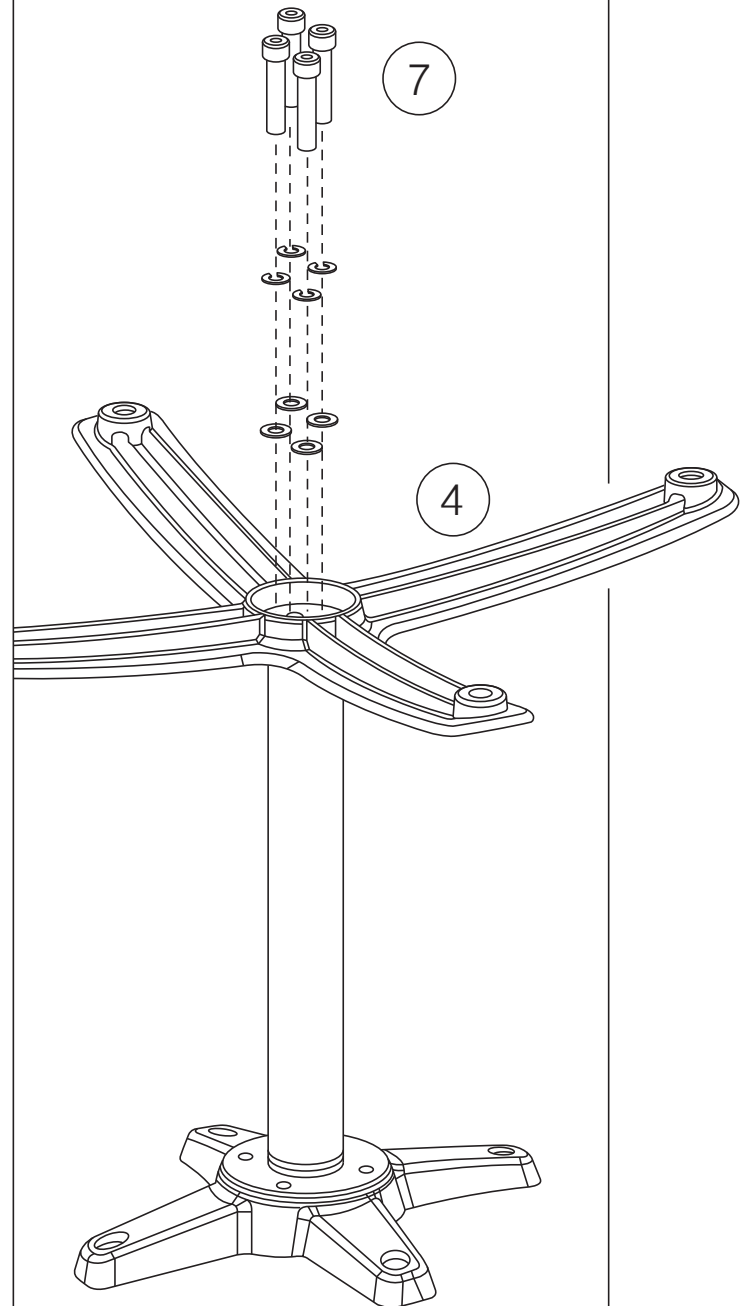
Wave chair Swivel

STEP 1



STEP 2

Put on part 4 and use screw set 7 to tighten them



www.jasonl.com.au

jason.l
your office furniture mate

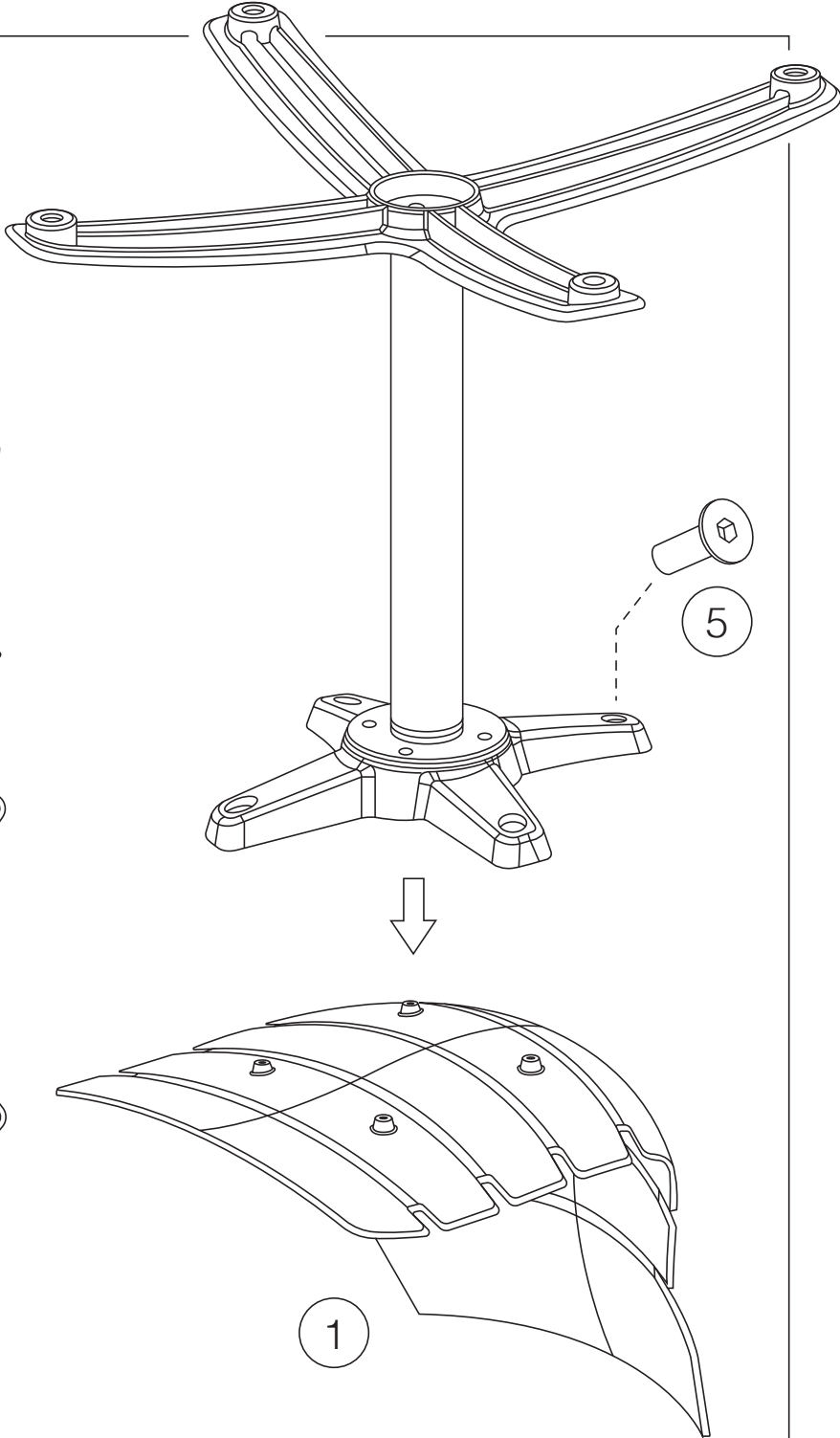
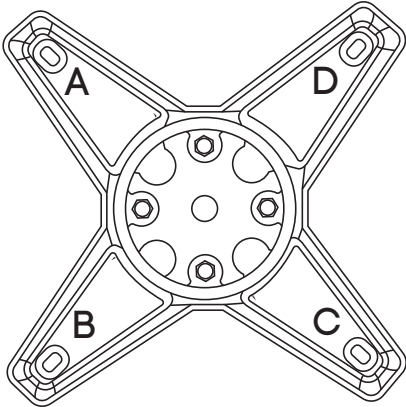
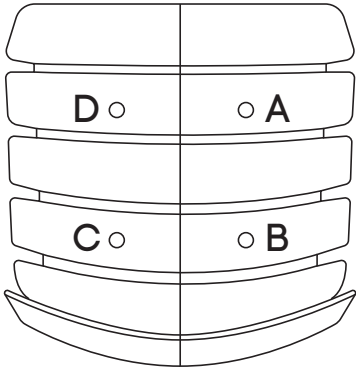


Need help!
Call us on
1300 527 665

Wave chair Swivel

STEP 3

Assemble the seat according to the corresponding letter



www.jasonl.com.au



Need help!
Call us on
1300 527 665