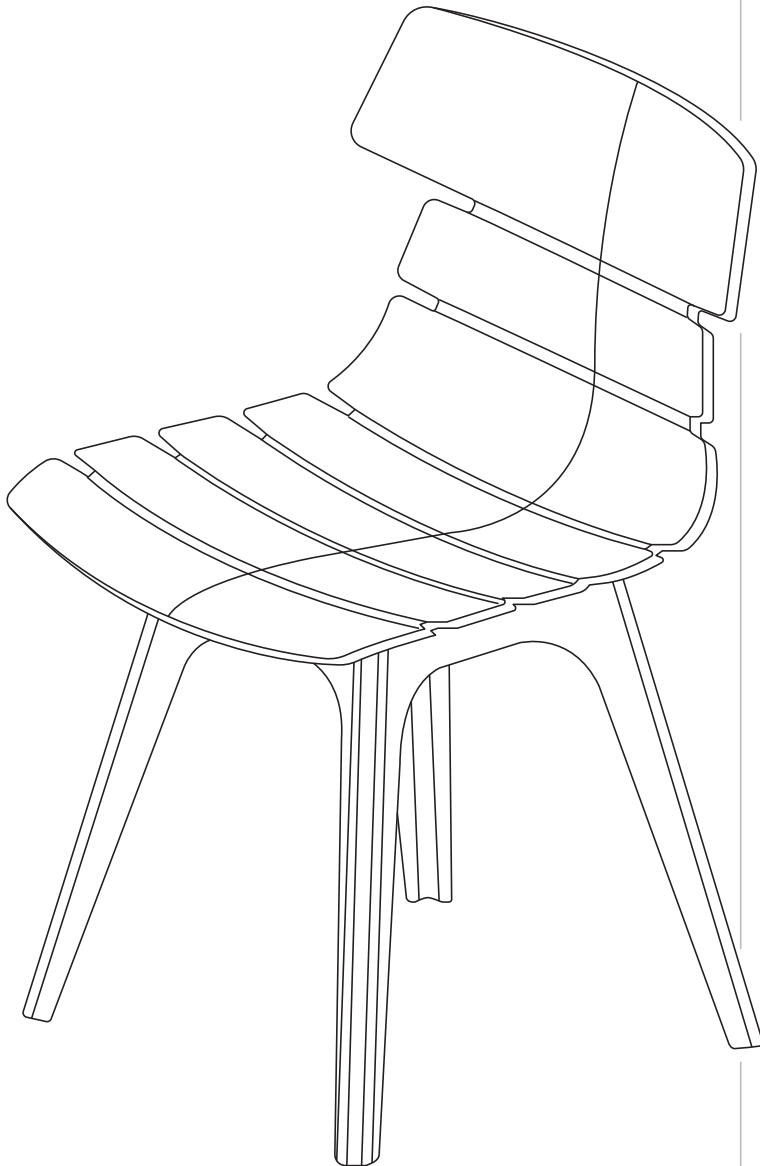


# Wave chair dart base instruction



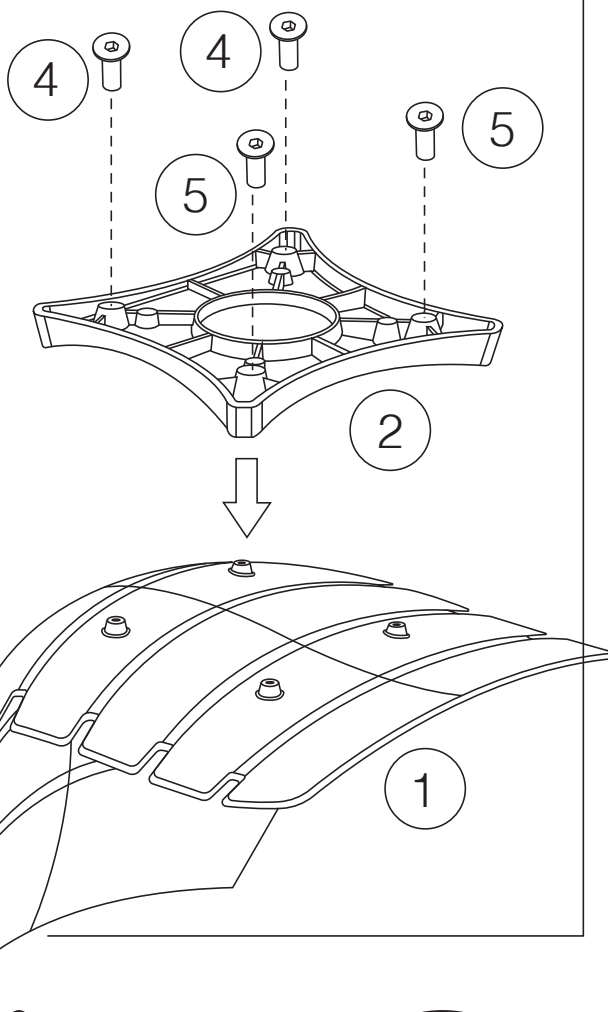
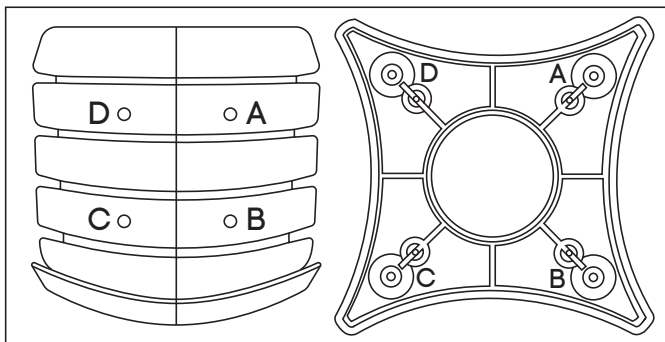
	Picture	Quantity
1		1
2		1
3		1
4		2
5		2
6		4
	4mm x1	



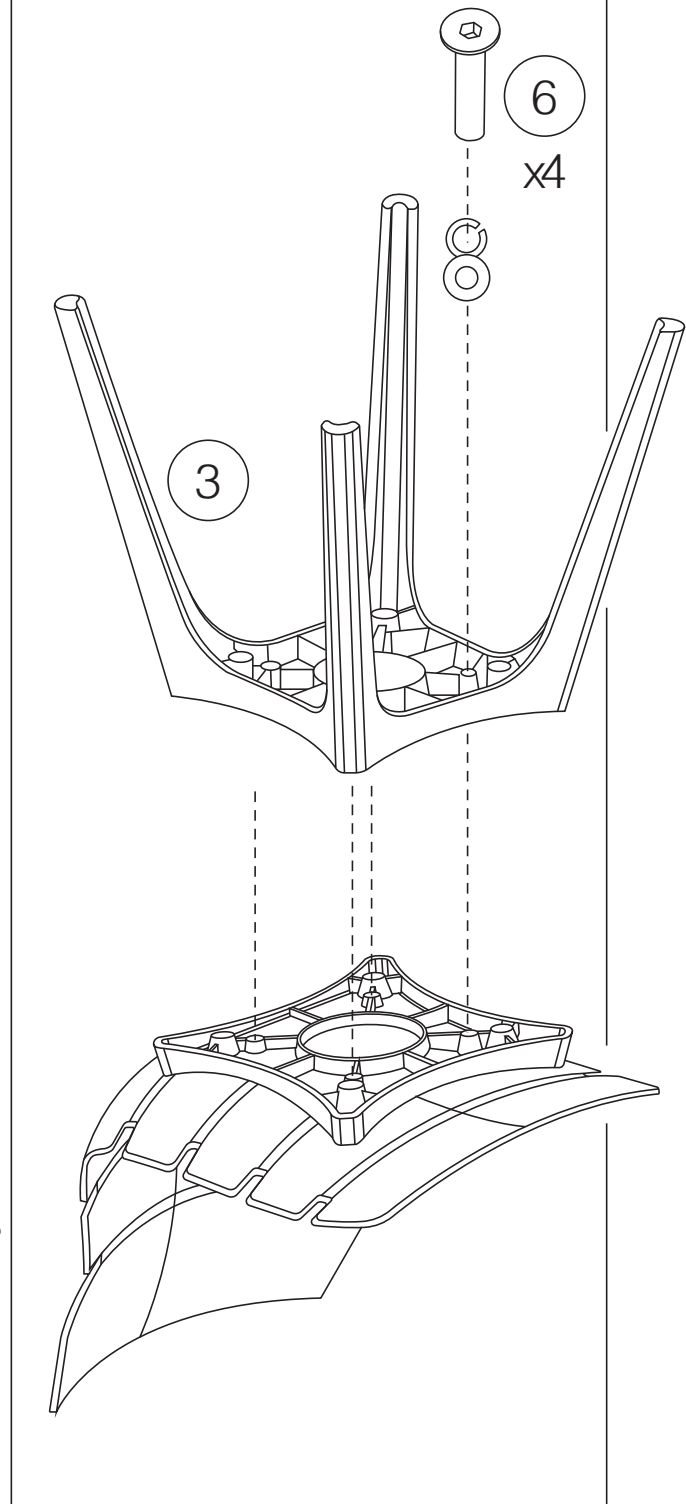
# Wave chair dart base instruction

## STEP 1

The serial number of part 1 and part 2, in accordance with the corresponding assembly, screw 4 and 5 screws must be used according to the position of figure.



## STEP 2



[www.jasonl.com.au](http://www.jasonl.com.au)

**jason.l**  
your office furniture mate



**Need help!**  
Call us on  
**1300 527 665**