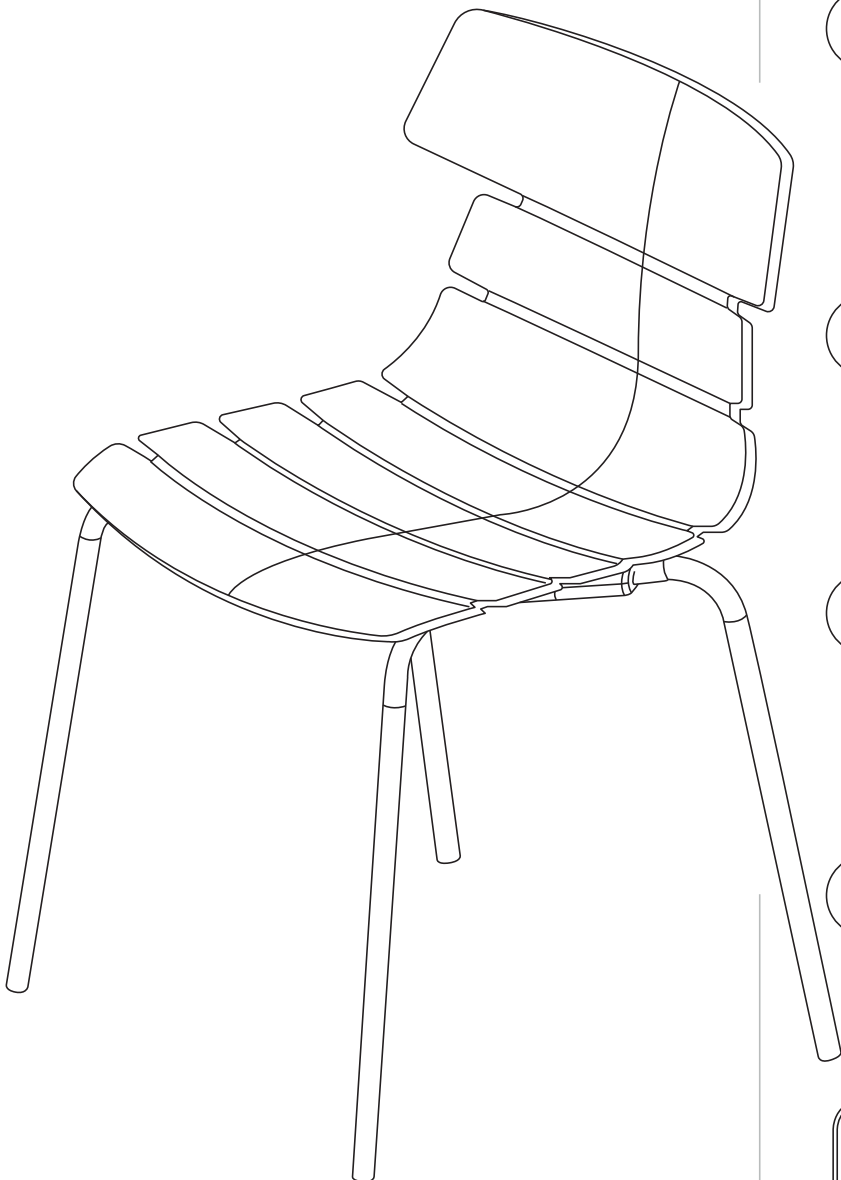


Wave chair 4 leg instruction



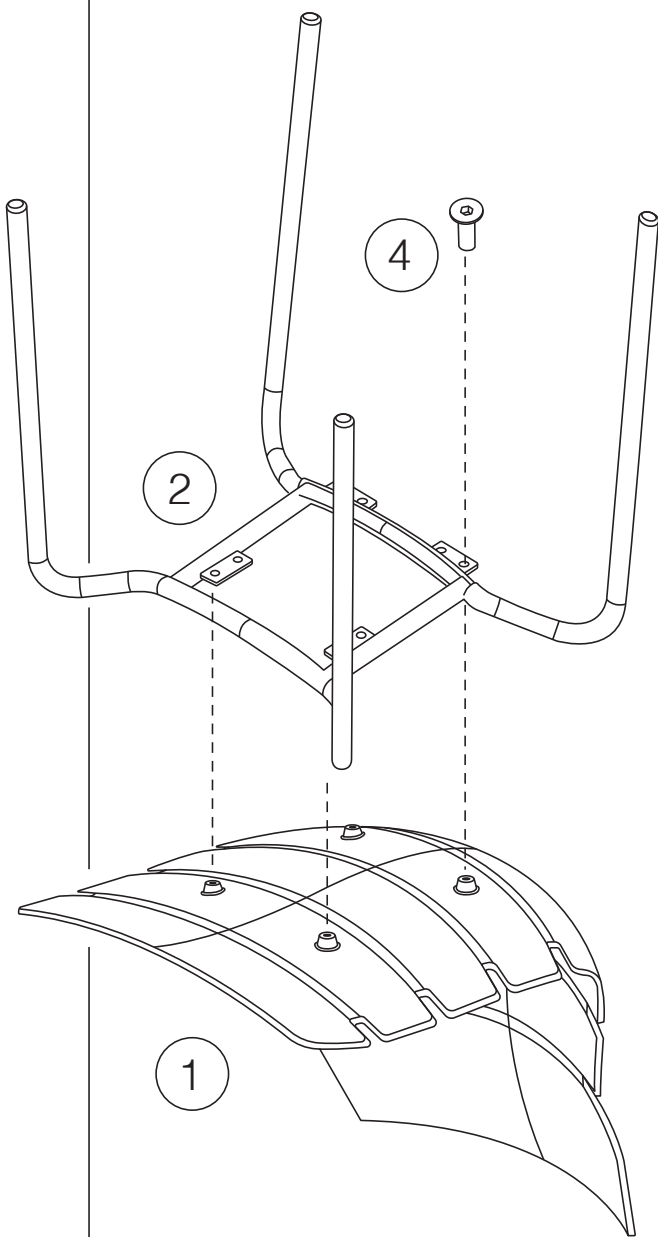
	Picture	Quantity
1		1
2		1
3		1
4		8
		1



Wave chair 4 leg instruction

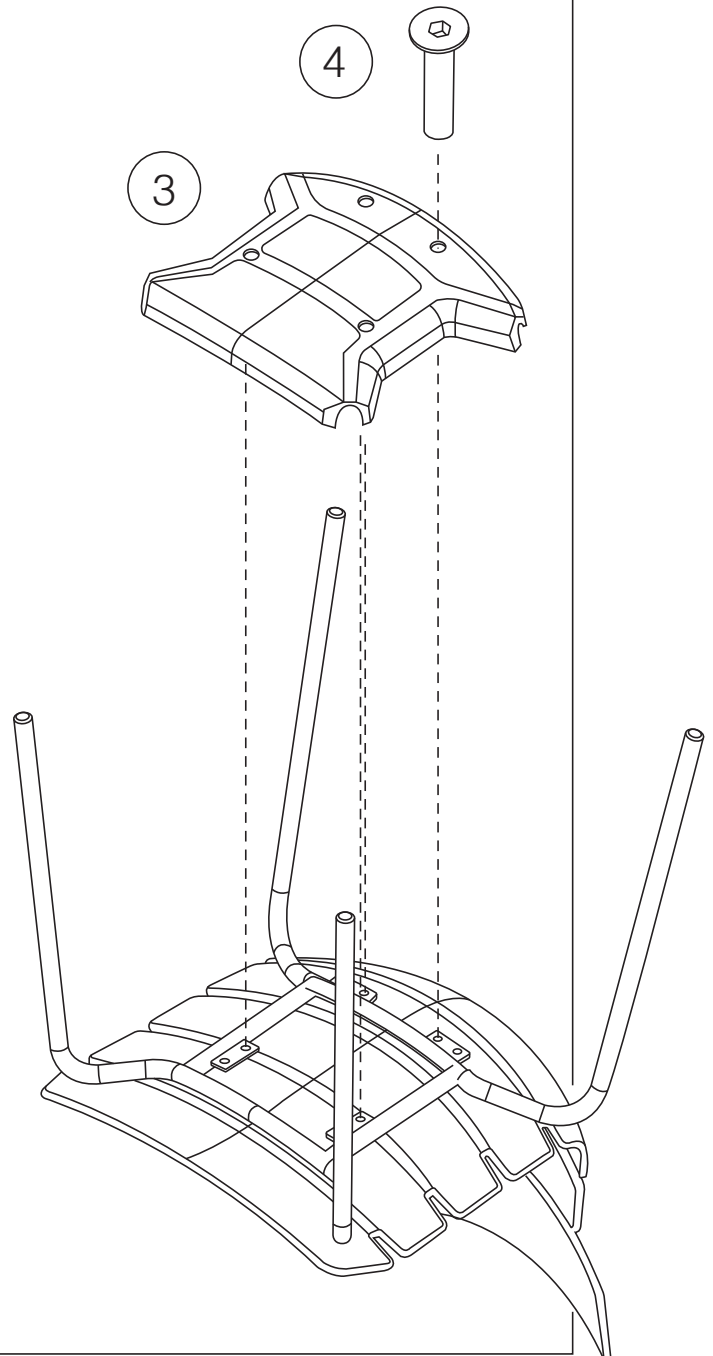
STEP 1

Put the plastic shell on metal legs, pay attention to the forward and backward directions. Screwed into the bottom screws and tighten.



STEP 2

Cover the bottom cover, fixed with screws.



www.jasonl.com.au

jason.l
your office furniture mate



Need help!
Call us on
1300 527 665