

ASSEMBLY INSTRUCTIONS

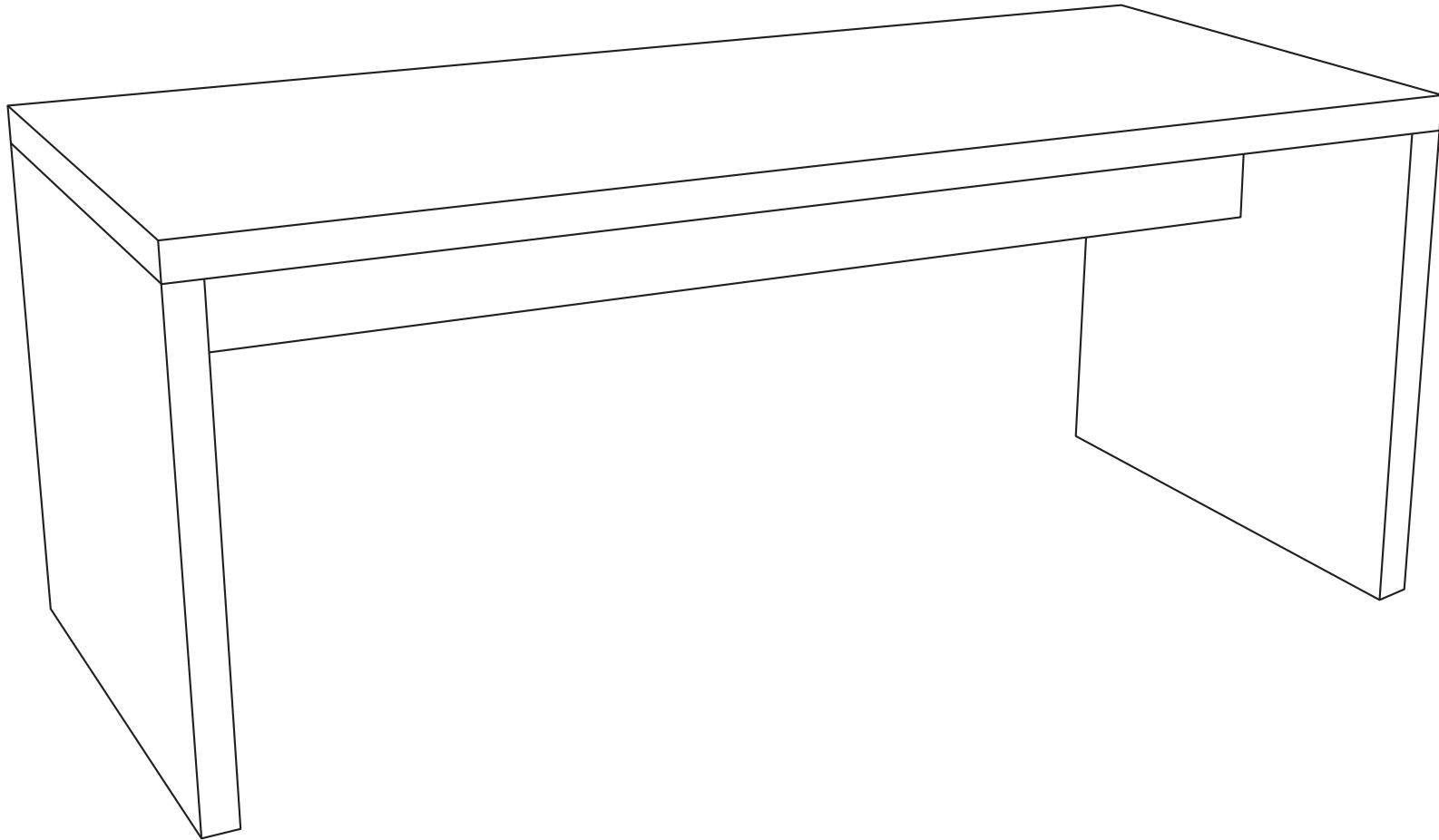
**Vibe 50mm
Panel Table**

www.jasonl.com.au

Need help!

Call us on
1300 527 665

jason.l
your office furniture mate



Tools Required: Power screwdriver.

ASSEMBLY INSTRUCTIONS

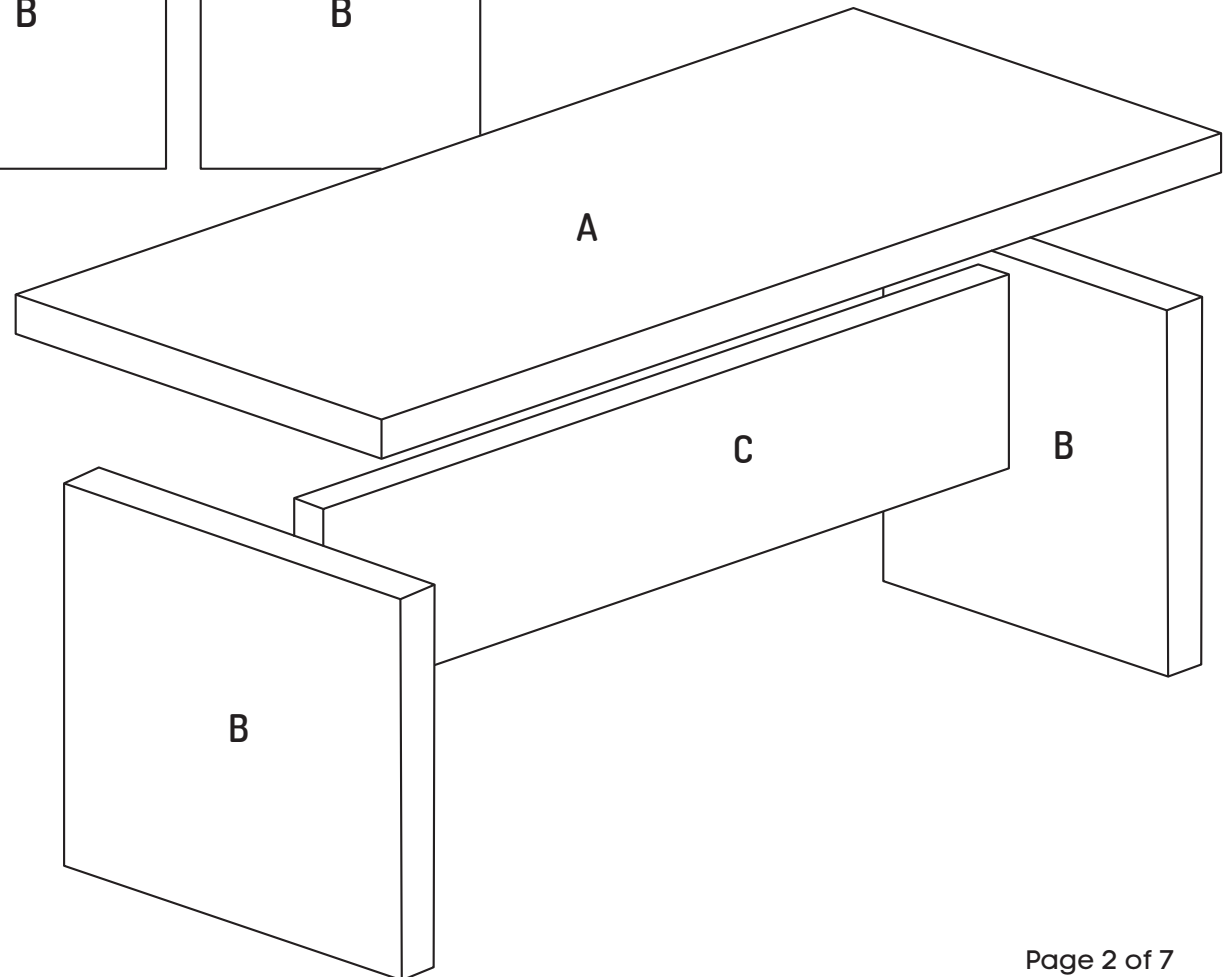
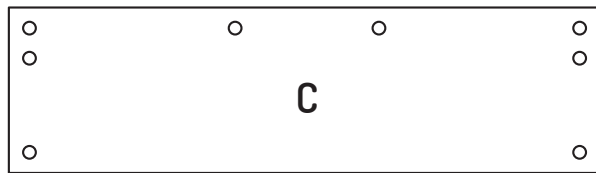
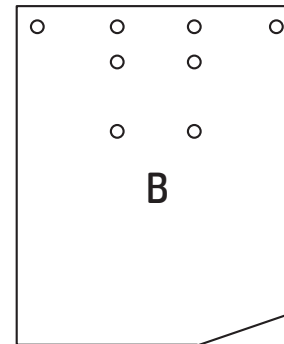
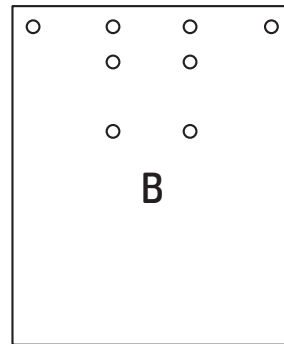
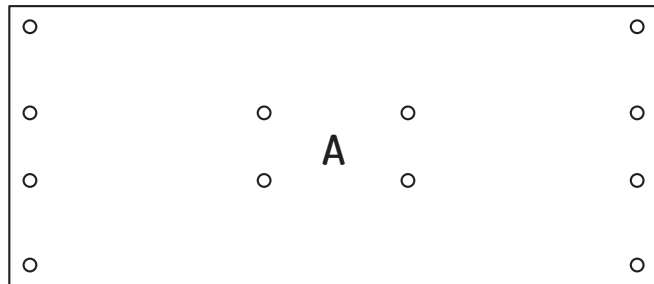
Vibe 50mm Panel Table

www.jasonl.com.au

Need help!

Call us on
1300 527 665

jason.l
your office furniture mate



COMPONENTS

A Panel Desk Top

B Panel Legs

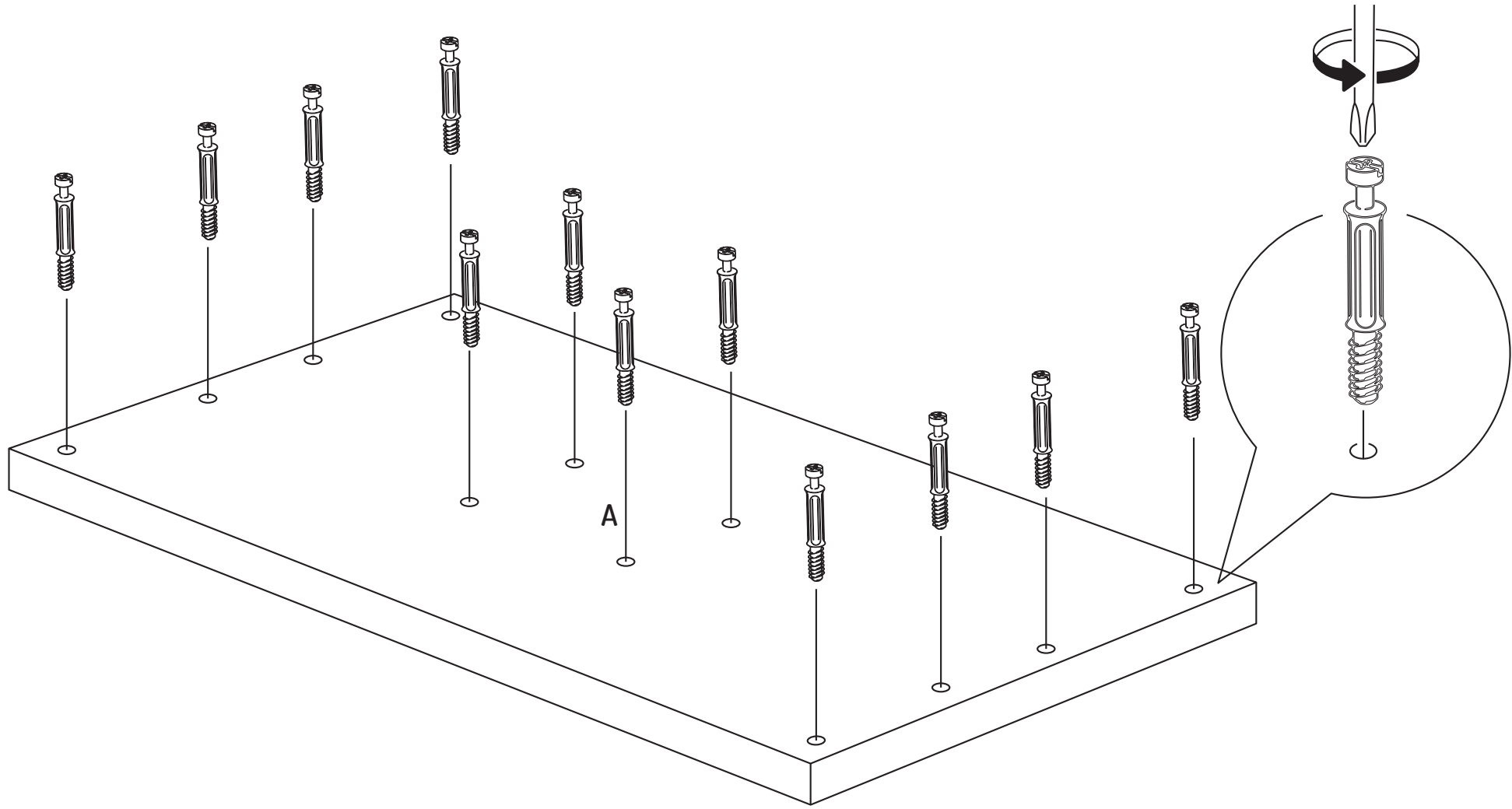
C Panel Modesty

ASSEMBLY INSTRUCTIONS

Vibe 50mm Panel Table

www.jasonl.com.au
Need help!
Call us on
1300 527 665

jason.l
your office furniture mate



Insert all pins into Desk top (A)
as indicated above

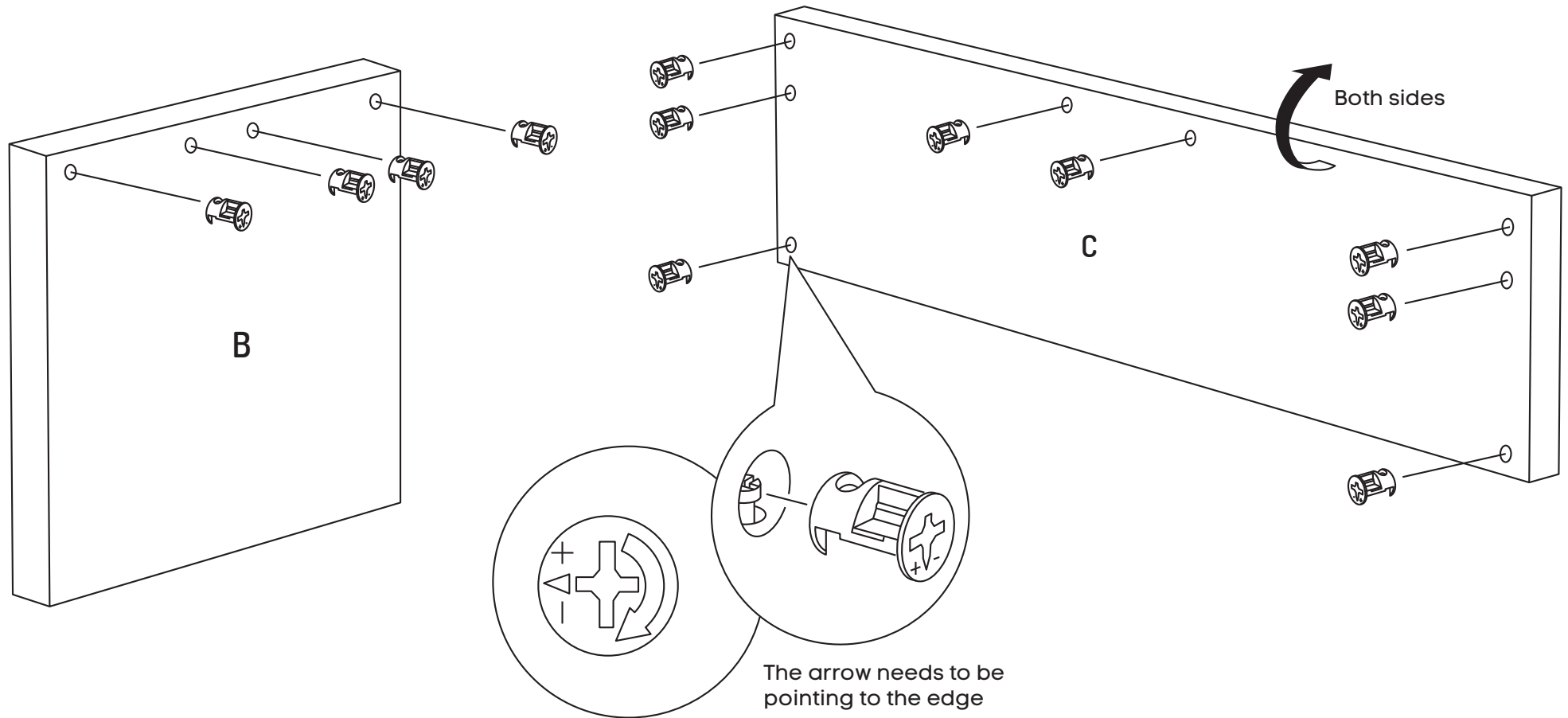
ASSEMBLY INSTRUCTIONS

Vibe 50mm Panel Table

www.jasonl.com.au

Need help!
Call us on
1300 527 665

jason.l
your office furniture mate



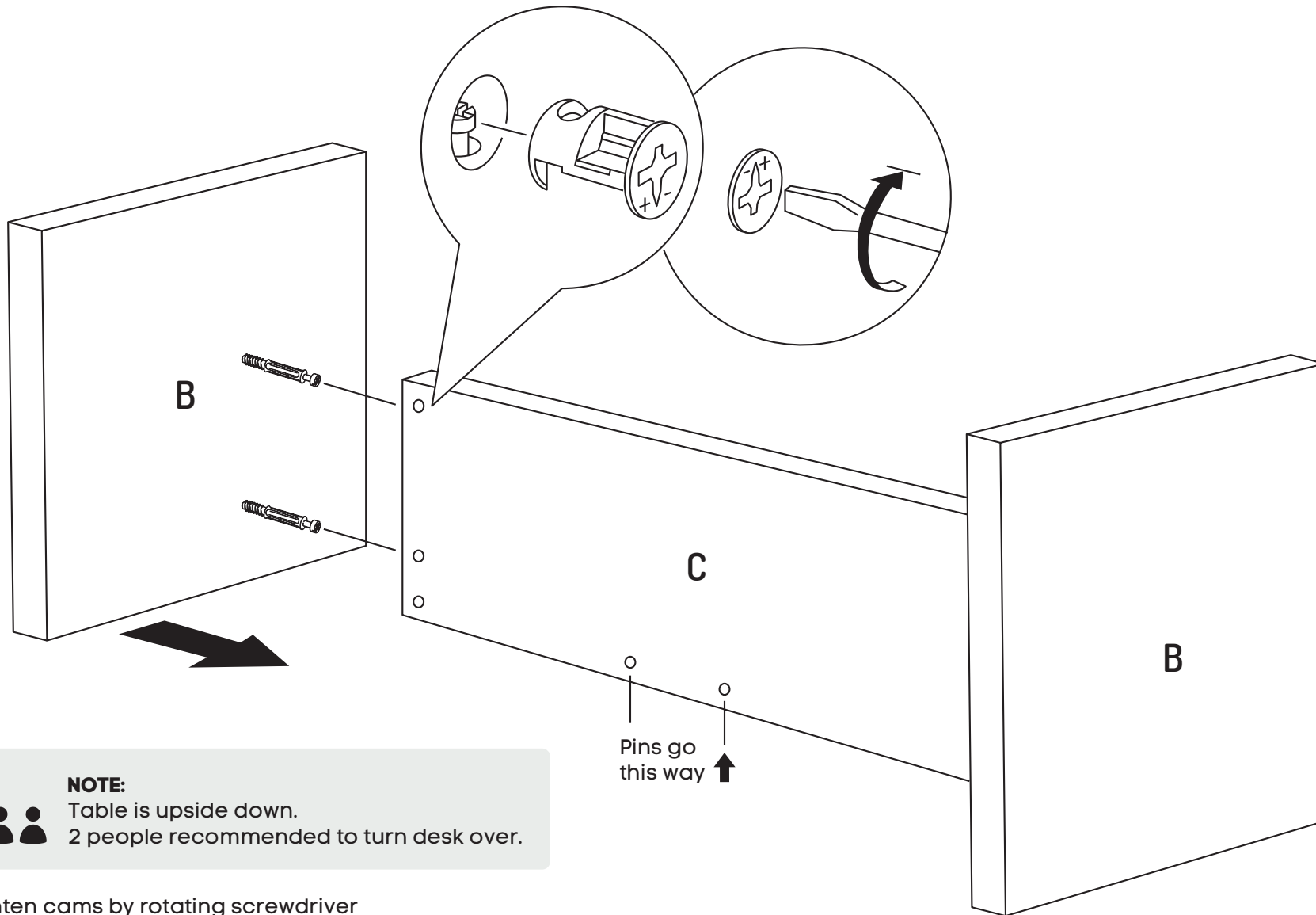
Insert all cams into panels B & C as indicated above

ASSEMBLY INSTRUCTIONS

Vibe 50mm Panel Table

www.jasonl.com.au
Need help!
Call us on
1300 527 665

jason.l
your office furniture mate



NOTE:
Table is upside down.
2 people recommended to turn desk over.

Tighten cams by rotating screwdriver

ASSEMBLY INSTRUCTIONS

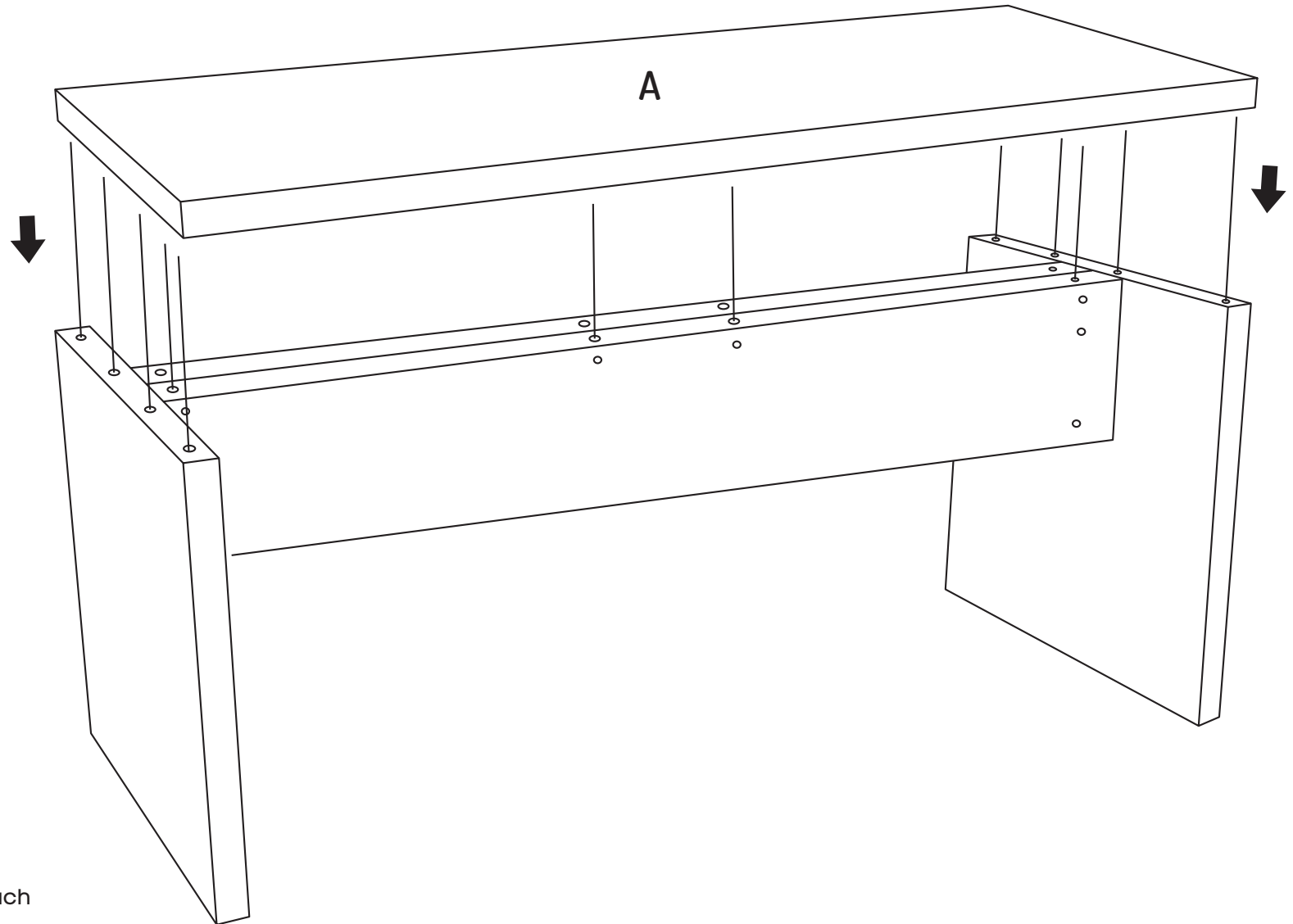
**Vibe 50mm
Panel Table**

www.jasonl.com.au

Need help!

Call us on
1300 527 665

jason.l
your office furniture mate



Rotate Desk base and attach
Desk top panel (A)

ASSEMBLY INSTRUCTIONS

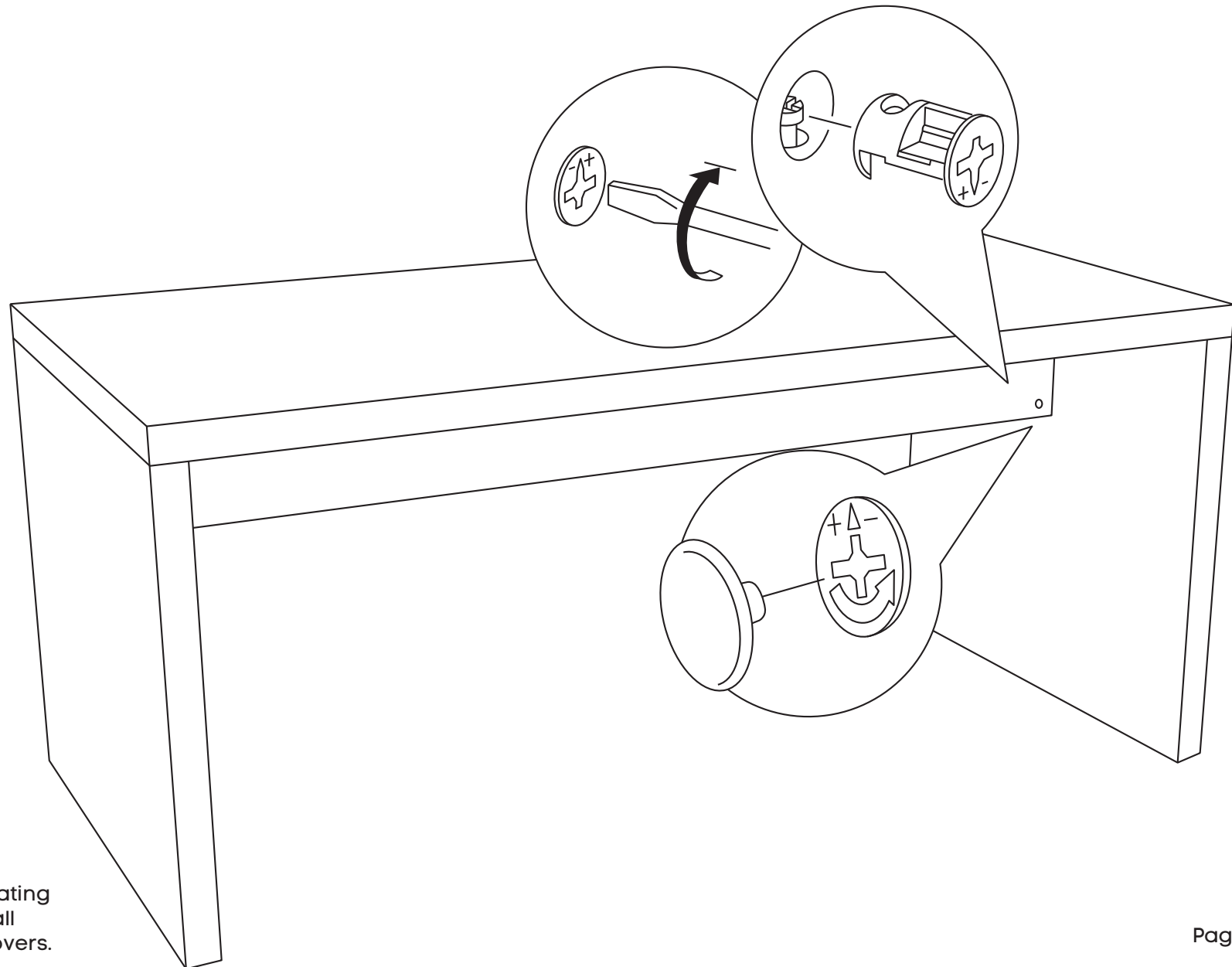
**Vibe 50mm
Panel Table**

www.jasonl.com.au

Need help!

Call us on
1300 527 665

jason.l
your office furniture mate



Tighten cams by rotating
screwdriver. Cover all
cams with plastic covers.