

**ASSEMBLY INSTRUCTIONS**

# Uniform 2 Door Storage Cupboard With Large Doors 800L

Size (mm): 440L x 800W x 1870H

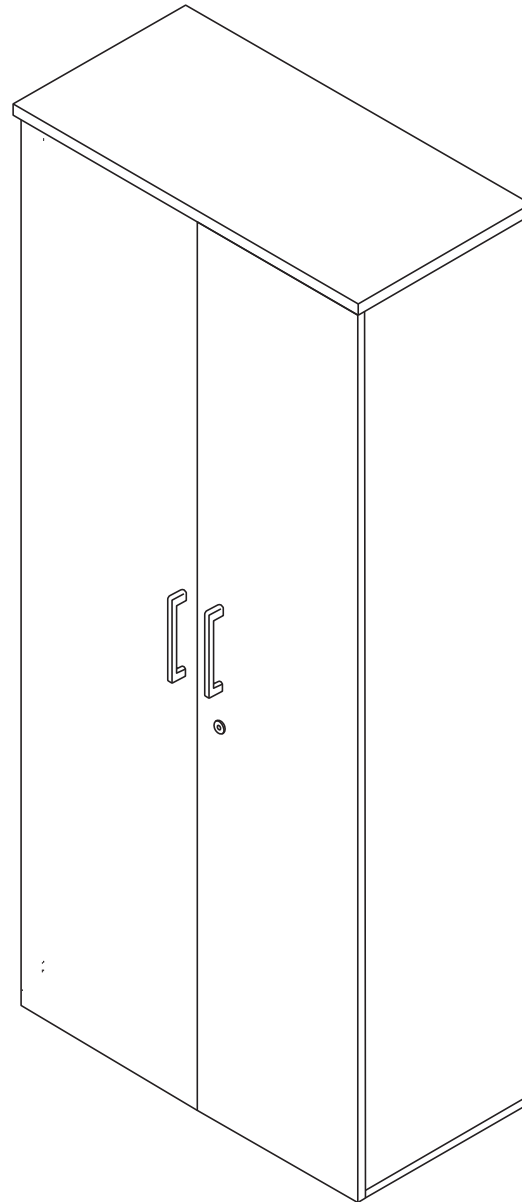
VEM-OSS80-187T+VEM-DPS80-187T

[www.jasonl.com.au](http://www.jasonl.com.au)

**Need help!**

Call us on  
**1300 527 665**

**jason.l**  
your office furniture mate



## ASSEMBLY INSTRUCTIONS

# Uniform 2 Door Storage Cupboard With Large Doors 800L

Size (mm): 440L x 800W x 1870H

[www.jasonl.com.au](http://www.jasonl.com.au)

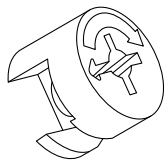
**Need help!**

Call us on  
**1300 527 665**

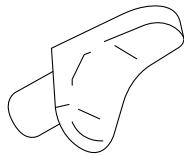
**jason.l**  
your office furniture mate



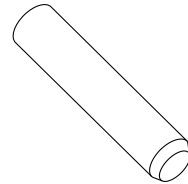
VEM-OSS80-187T+VEM-DPS80-187T



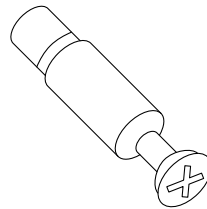
A



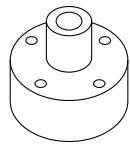
B



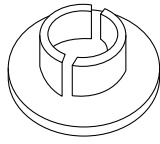
C



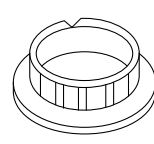
D



E



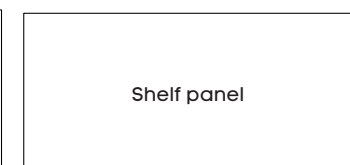
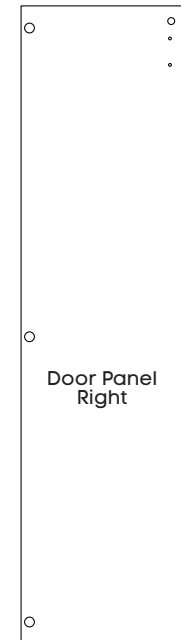
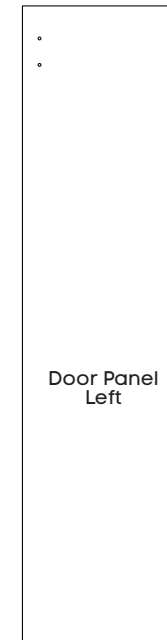
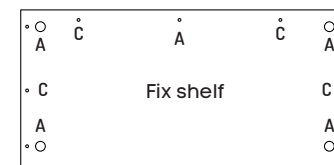
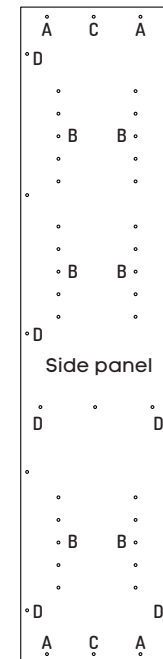
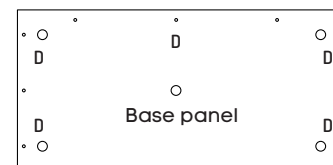
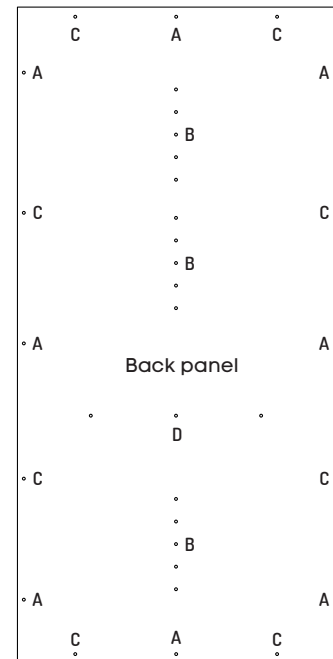
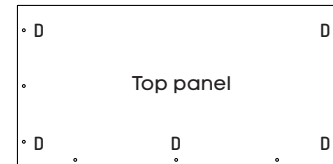
F



G

### COMPONENTS

- A Minifix Housing x21
- B Collar Stud x15
- C Rubber Wood Dowel M8 x40mm x21
- D Minifix Connecting Bolt x21
- E Adjustable Leveller N2880 x5
- F Leveller N2880 Cap x5
- G Deco Cap x5
- H Top Panel x1
- I Back Panel x1
- J Side Panel x2
- K Base Panel x1
- L Shelf Panel x3
- M Fix Shelf x1
- N Door Panel x2
- O Safety hook \*



ASSEMBLY INSTRUCTIONS


# Uniform 2 Door Storage Cupboard With Large Doors 800L

Size (mm): 440L x 800W x 1870H

www.jasonl.com.au  
**Need help!**  
Call us on  
1300 527 665

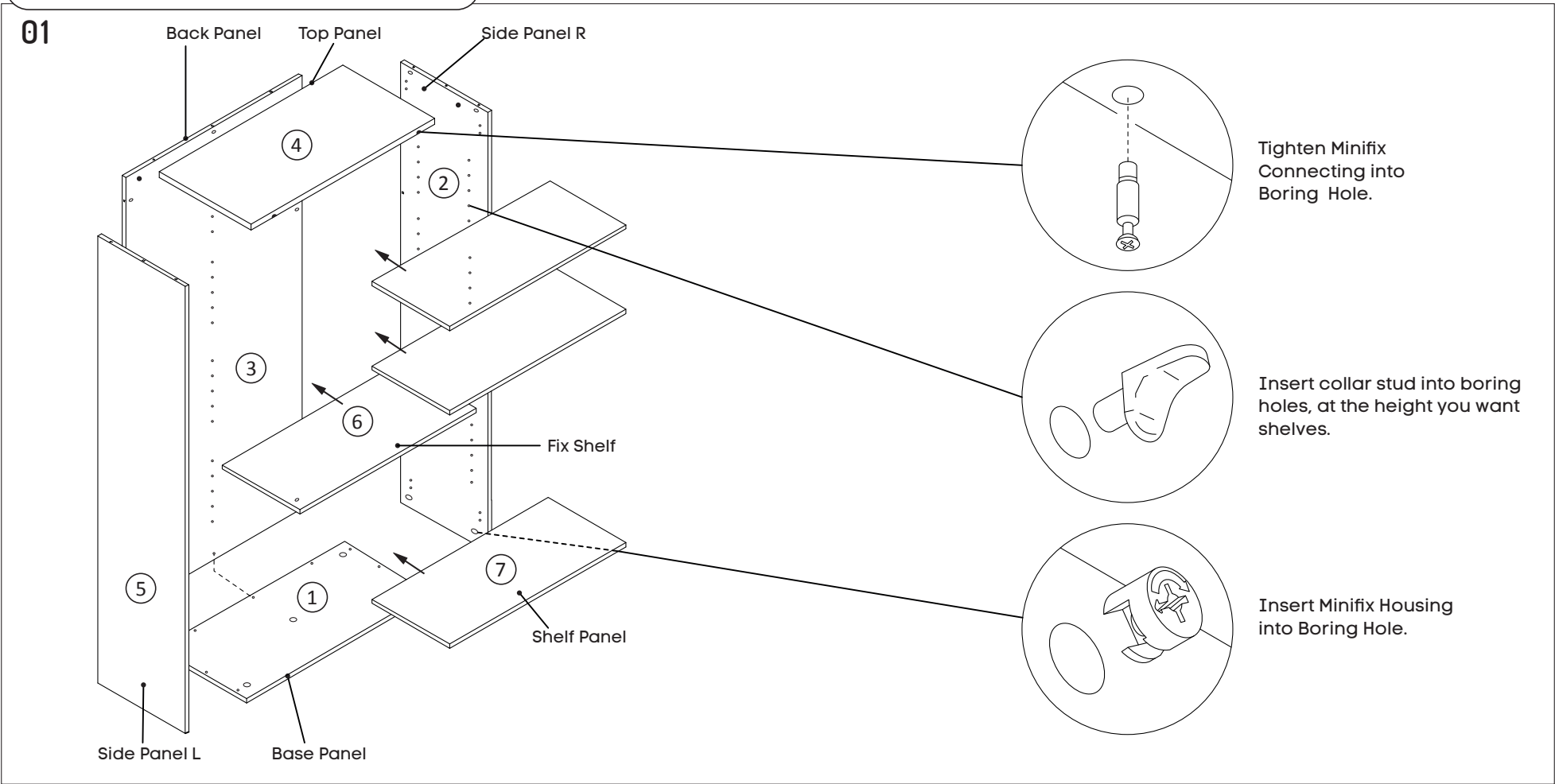
**jason.l**  
your office furniture mate



 **Function of Klux Cam**  
Turn for locking  
75° Min - 195° Max

Make sure the arrow is pointing upwards before inserting into the panel's hole.

VEM-OSS80-187T+VEM-DPS80-187T



Assemble all panels in the following order.

ASSEMBLY INSTRUCTIONS

# Uniform 2 Door Storage Cupboard With Large Doors 800L

Size (mm): 440L x 800W x 1870H

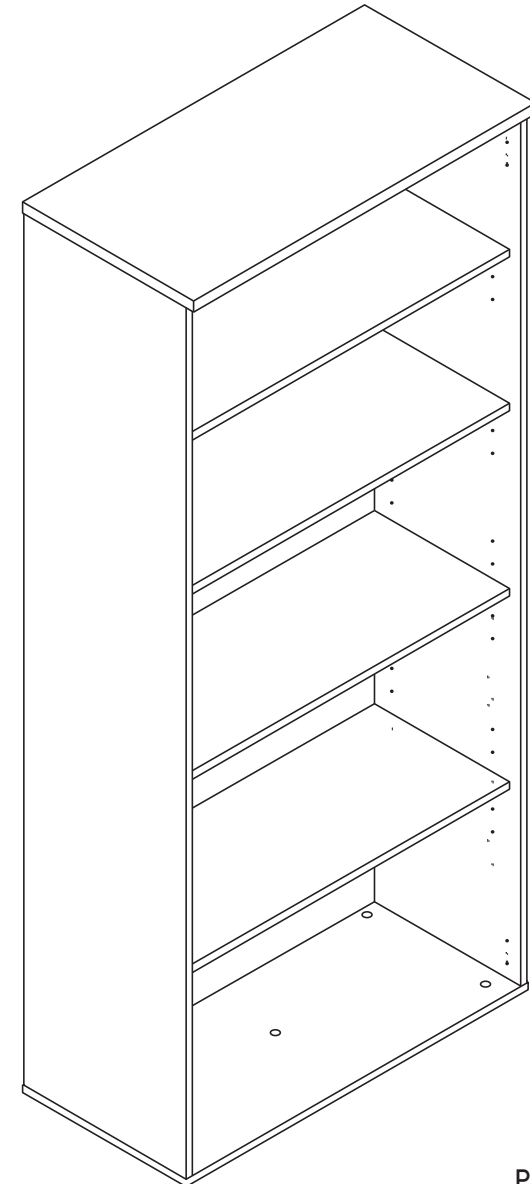
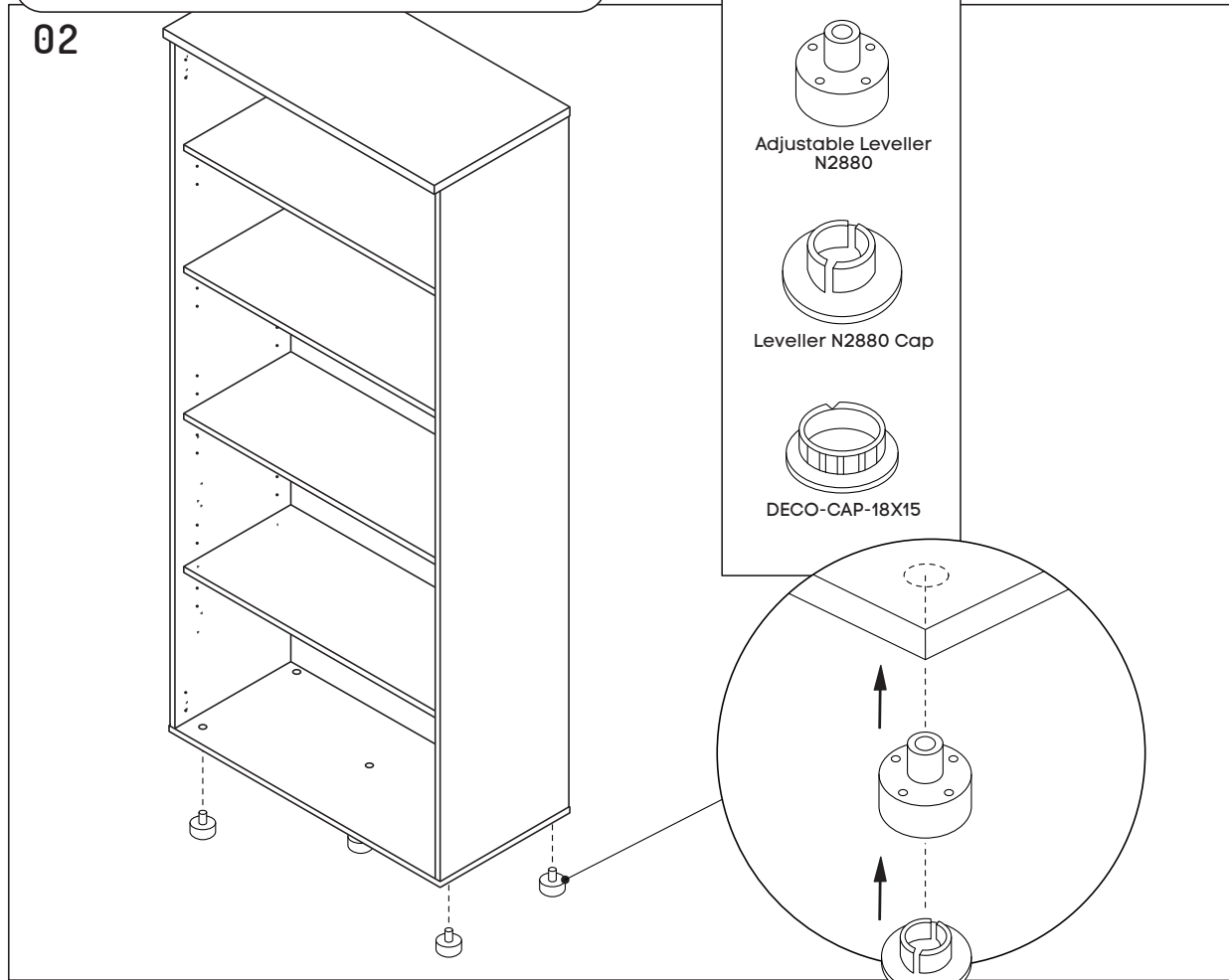
www.jasonl.com.au  
**Need help!**  
Call us on  
**1300 527 665**

**jason.l**  
your office furniture mate



VEM-OSS80-187T+VEM-DPS80-187T

02



Tighten leveller into boring hole and screw the cap.  
Use DECO-CAP-18X15 to seal holes on base panel.

## ASSEMBLY INSTRUCTIONS

# Uniform 2 Door Storage Cupboard With Large Doors 800L

Size (mm): 440L x 800W x 1870H

[www.jasonl.com.au](http://www.jasonl.com.au)

**Need help!**

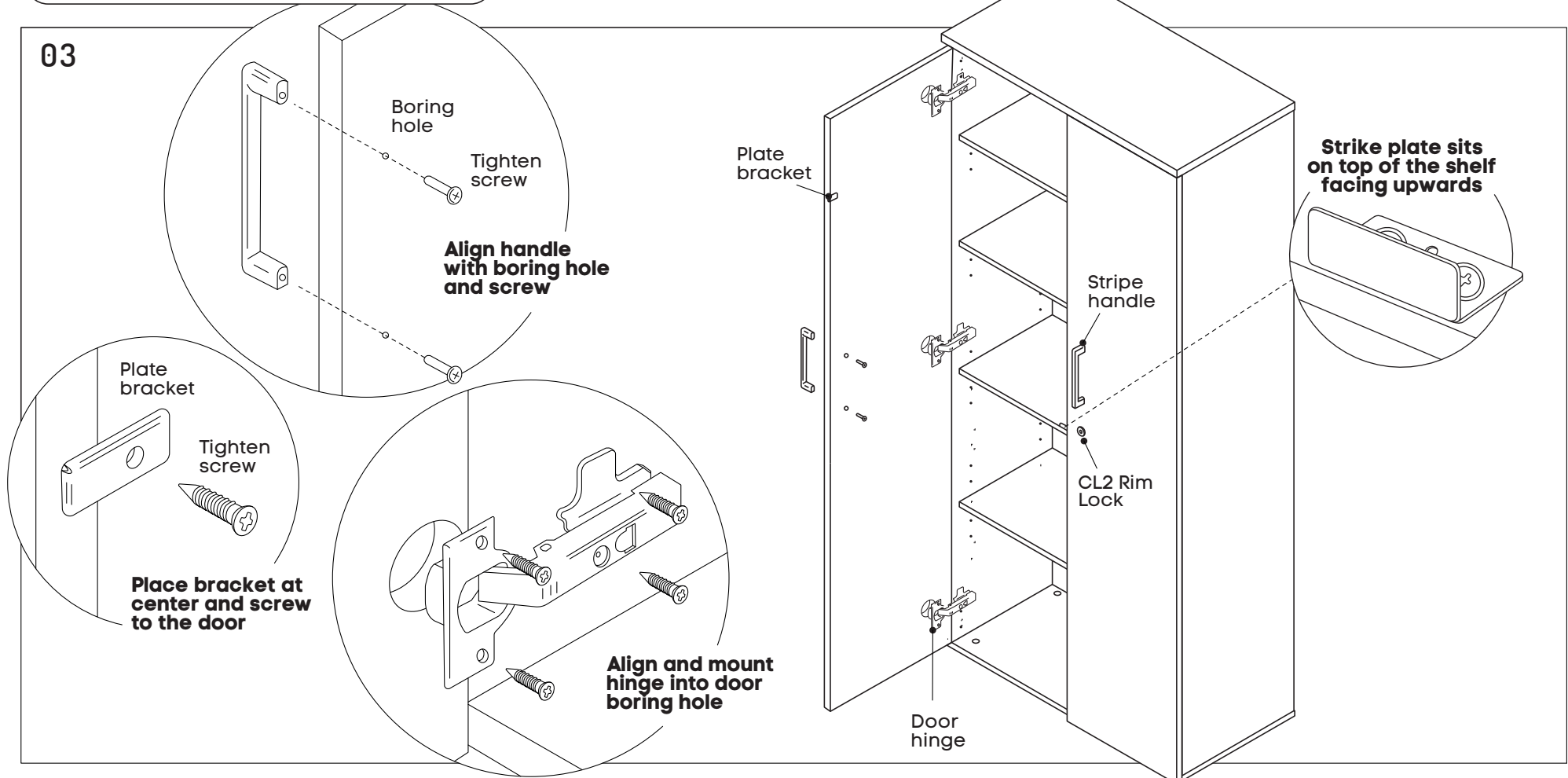
Call us on  
**1300 527 665**

**jason.l**  
your office furniture mate



VEM-OSS80-187T+VEM-DPS80-187T

03



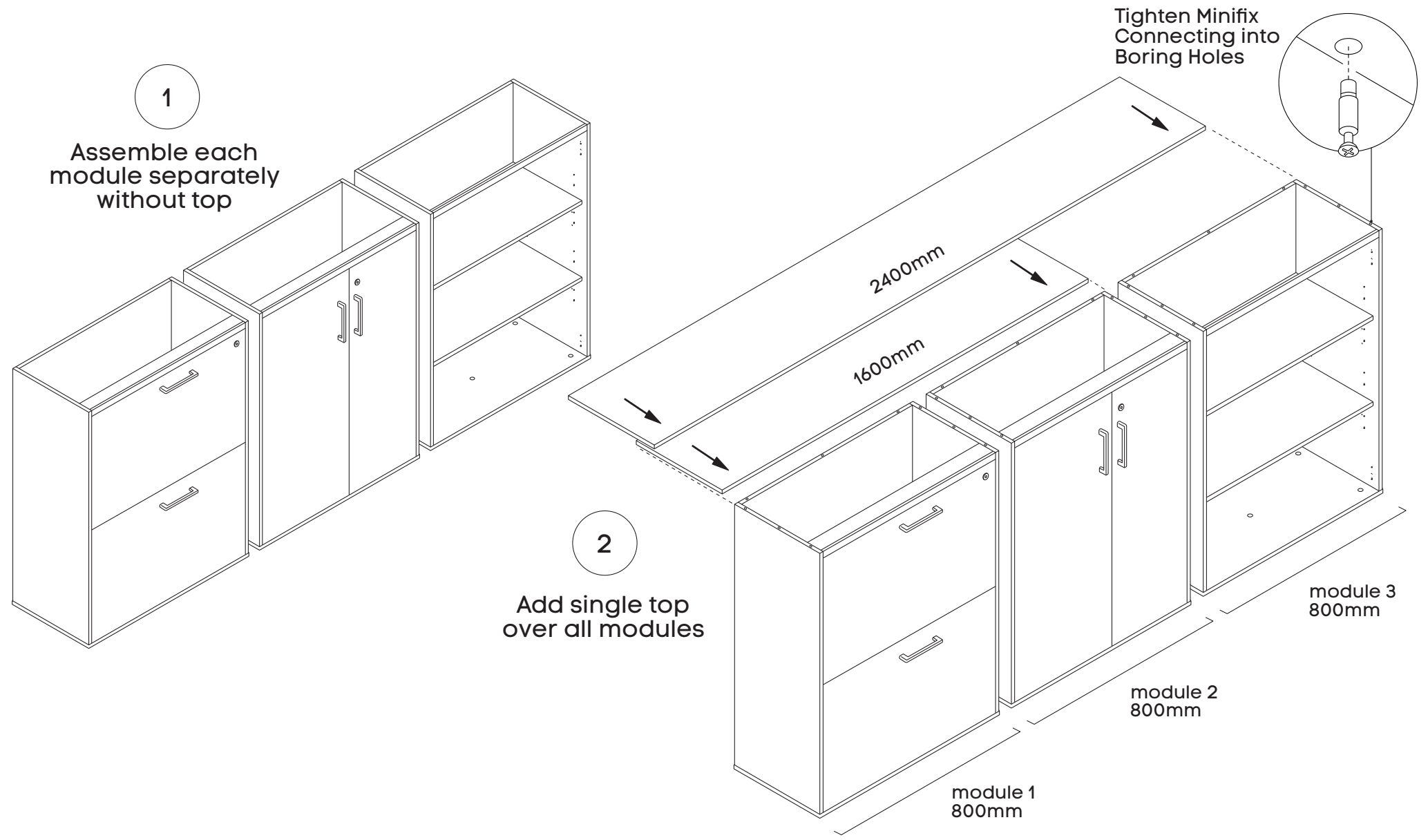
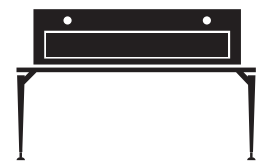
Tighten leveller into boring hole and screw the cap.  
Use DECO-CAP-18X15 to seal holes on base panel.

**ASSEMBLY INSTRUCTIONS**

**If you have purchased storage units that are 1600mm or 2400mm wide**

[www.jasonl.com.au](http://www.jasonl.com.au)  
**Need help!**  
Call us on  
**1300 527 665**

**jason.l**  
your office furniture mate



## ASSEMBLY INSTRUCTIONS

# Uniform 2 Door Storage Cupboard With Large Doors 800L

[www.jasonl.com.au](http://www.jasonl.com.au)

**Need help!**

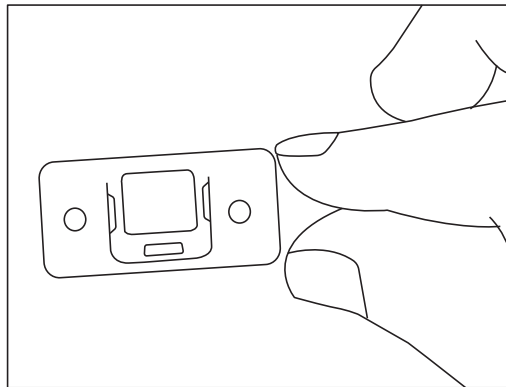
Call us on  
**1300 527 665**

**jason.l**  
your office furniture mate

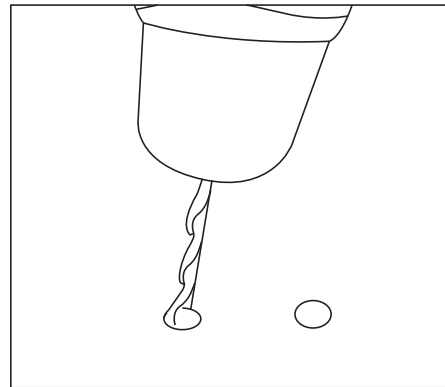


### Safety hook \*

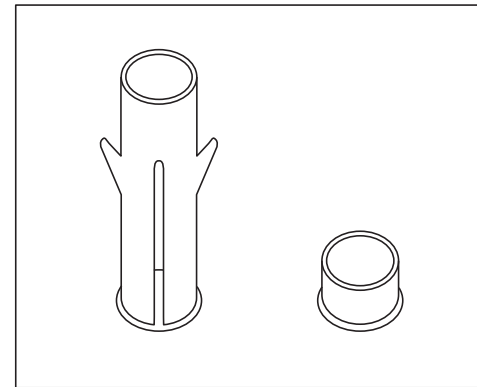
Large furniture provides ample storage space while making your home look great. If you have kids at home, you should firmly secure your large and heavy furniture to prevent it from toppling.



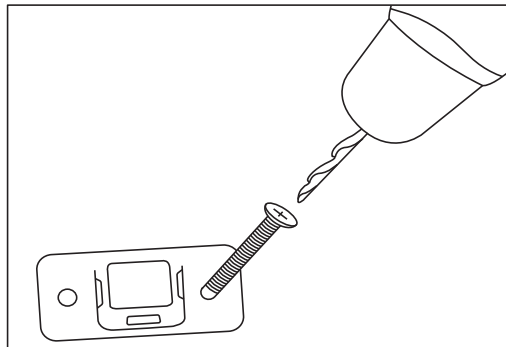
First set the location for install



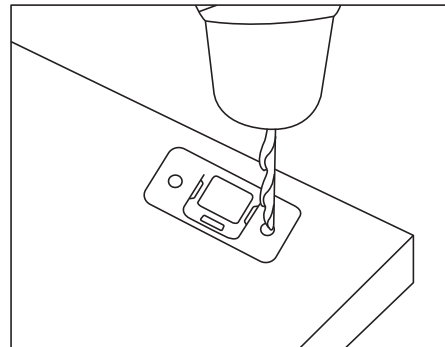
Select the location where the wall is installed and punch  $\varnothing 8$  mm



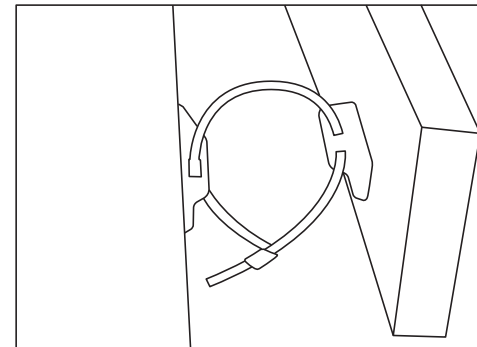
Install the screw expansion tube into the hole



Mounting screws

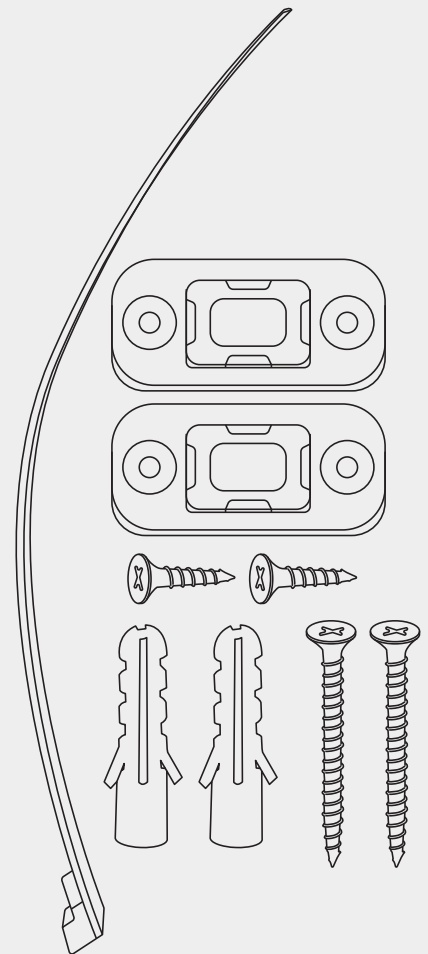


Choose a location that is fixed in the furniture



Adjust the distance of the connecting belt and complete the installation

### Components included



JasonL strongly recommends that the safety hook will be utilized in all circumstances to prevent falls when the bookcase is installed on uneven ground, is unevenly packed or is interfered with by pets, children, or as a result of any other household or commercial activity. We disclaim all liability for any loss occasioned in the event that the safety hook is not used or has been improperly installed