

ASSEMBLY INSTRUCTIONS

Uplifting Tango Electric Sit Stand Desk

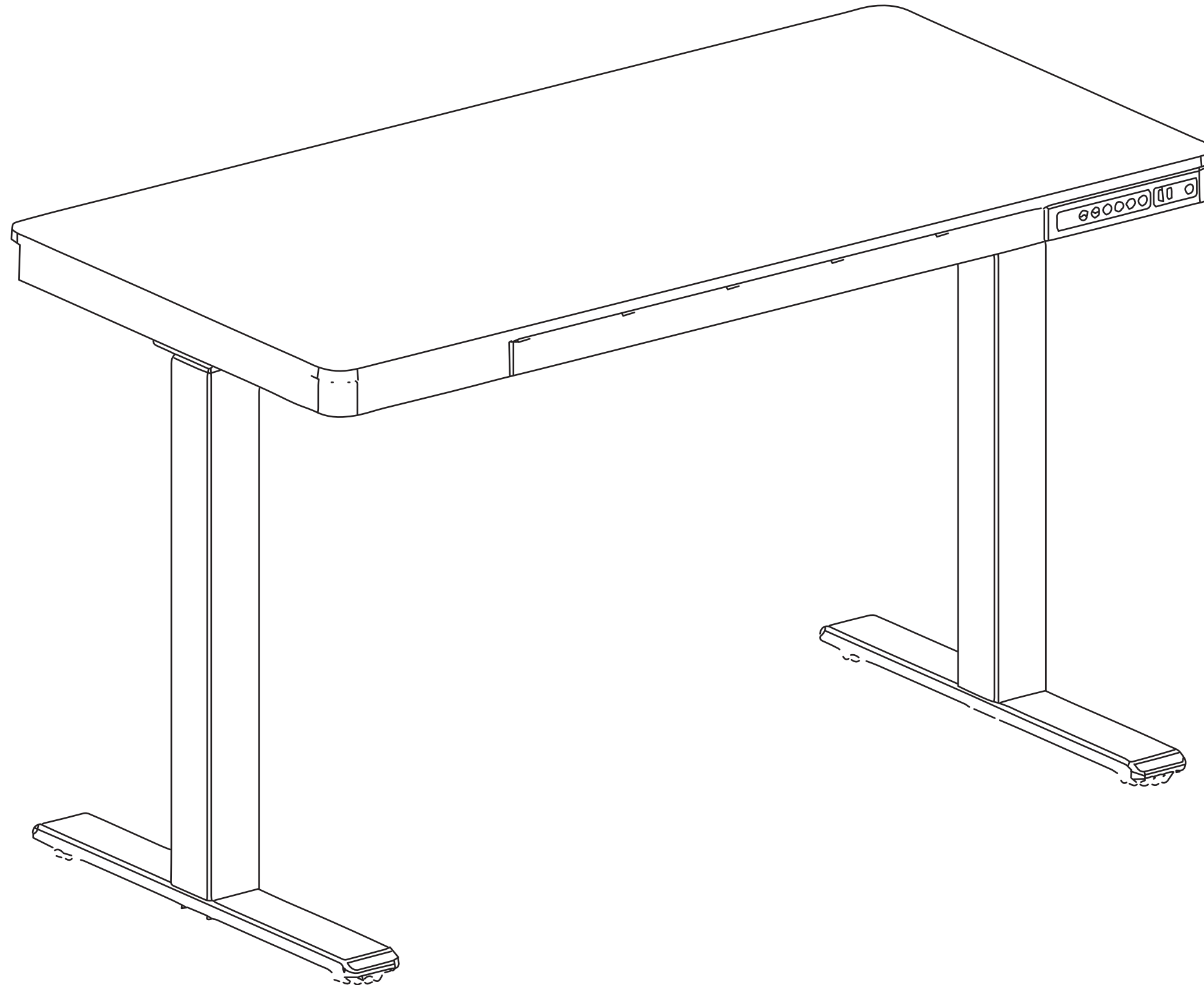
Size: 1200x600 mm

www.jasonl.com.au


Need help!

Call us on
1300 527 665

jason.l
your office furniture mate



Tools Required: Power screwdriver

 2 persons required for installation

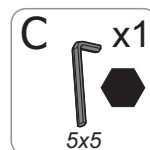
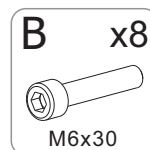
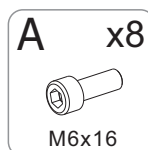
ASSEMBLY INSTRUCTIONS

Uplifting Tango Electric Sit Stand Desk

Size: 1200x600 mm

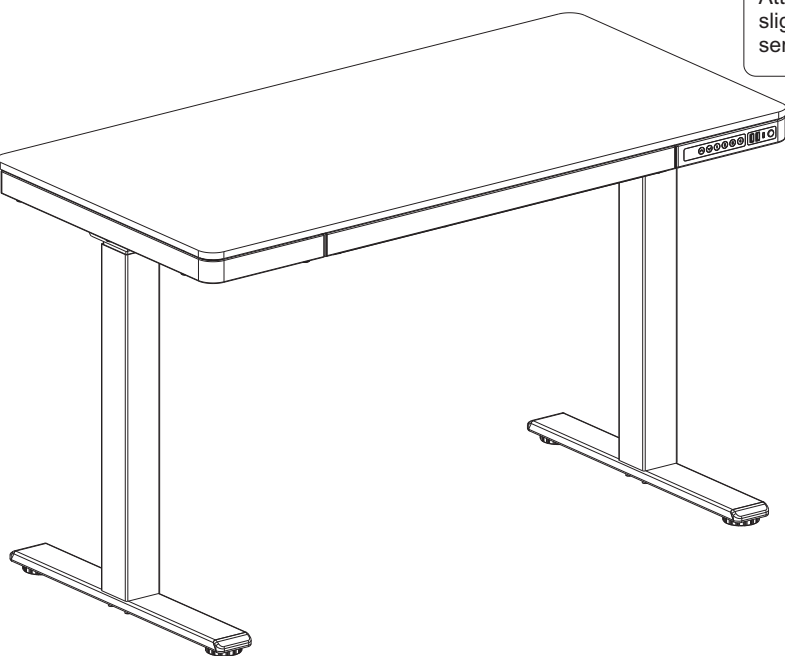
Accessory list

Attention: The drawings below are for guidance only and they may differ slightly from the product and fittings received. Please contact our customer service if there are any missing tools or installation problems.

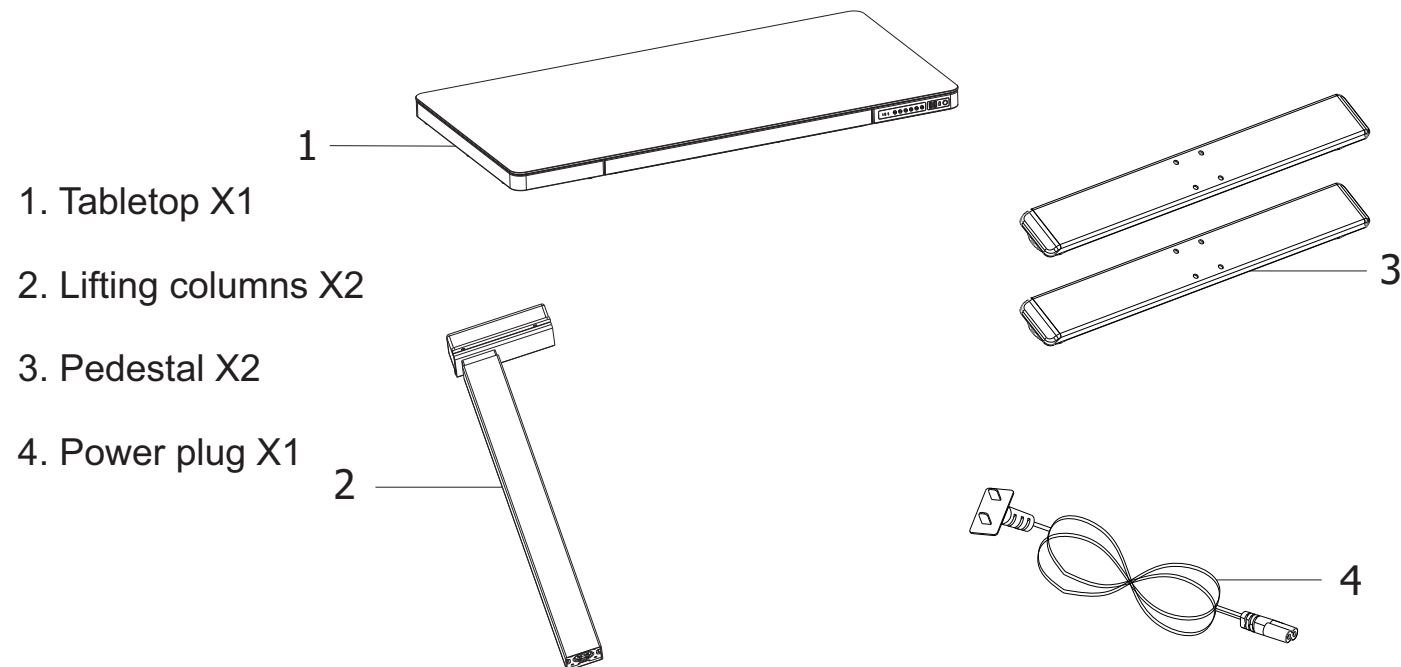


Technical data

Column Stage	2
Max. Weight Capacity	80KG
Height Range	720-1210mm
Drawer Stroke	230mm
Charging Function/Child Lock Function	

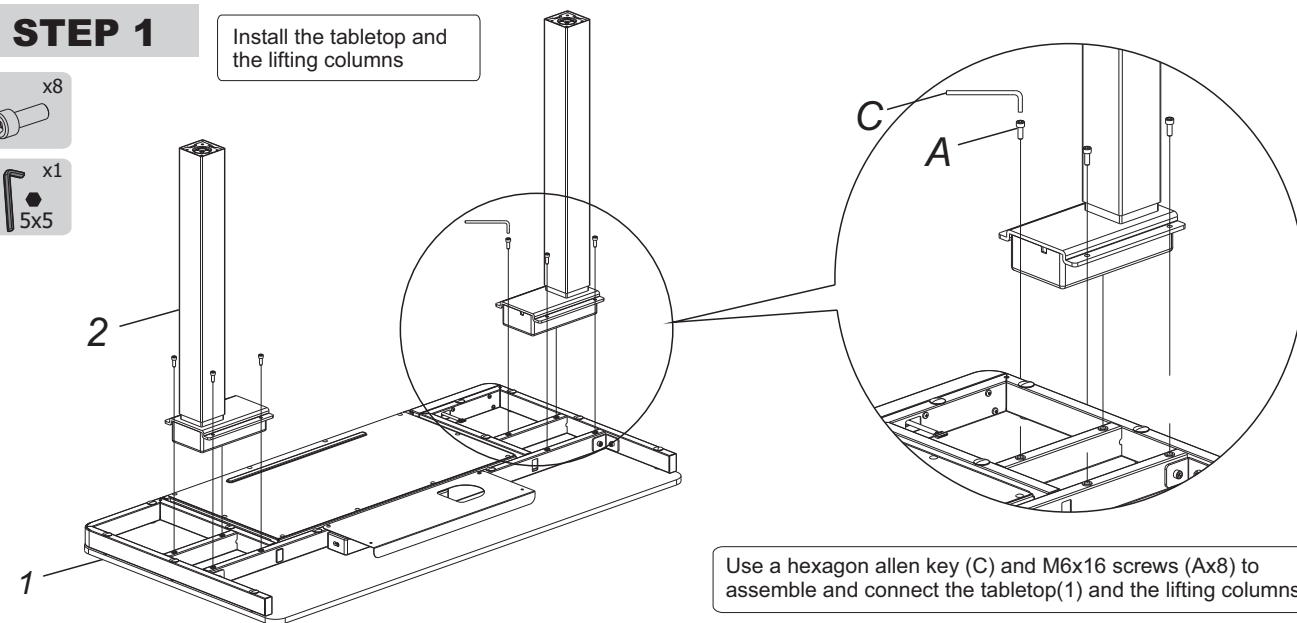
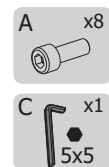


Component list



STEP 1

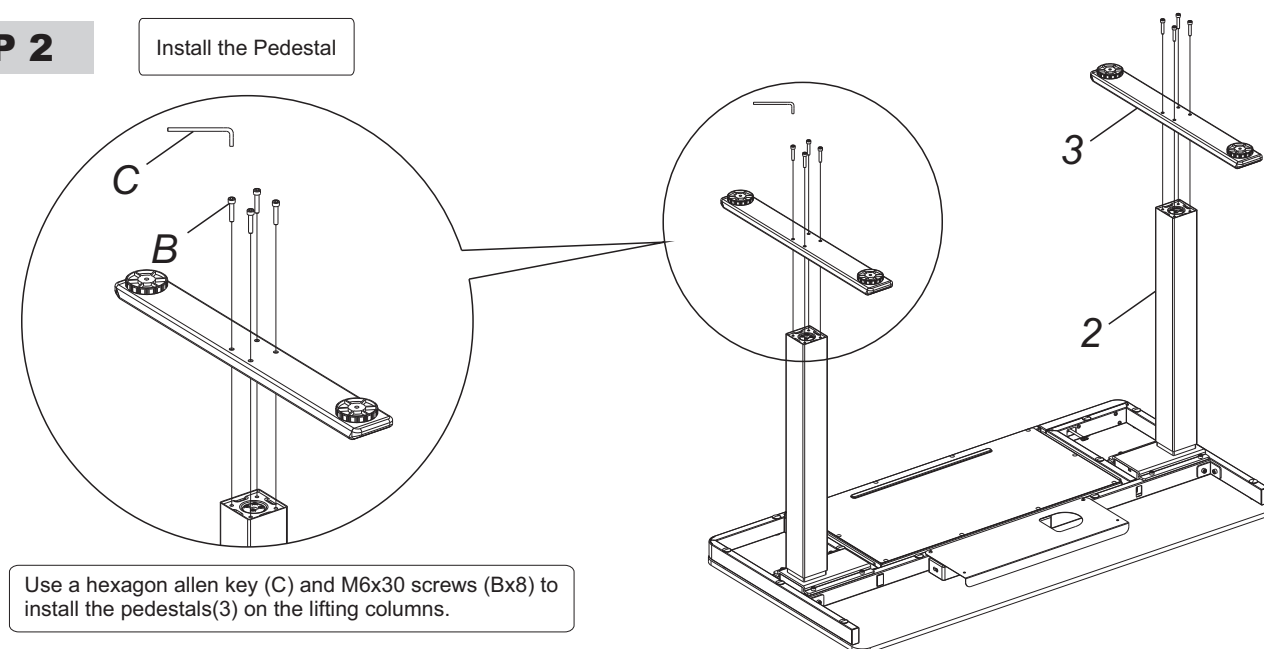
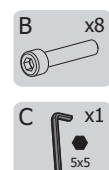
Install the tabletop and the lifting columns



Use a hexagon allen key (C) and M6x16 screws (Ax8) to assemble and connect the tabletop(1) and the lifting columns(2)

STEP 2

Install the Pedestal

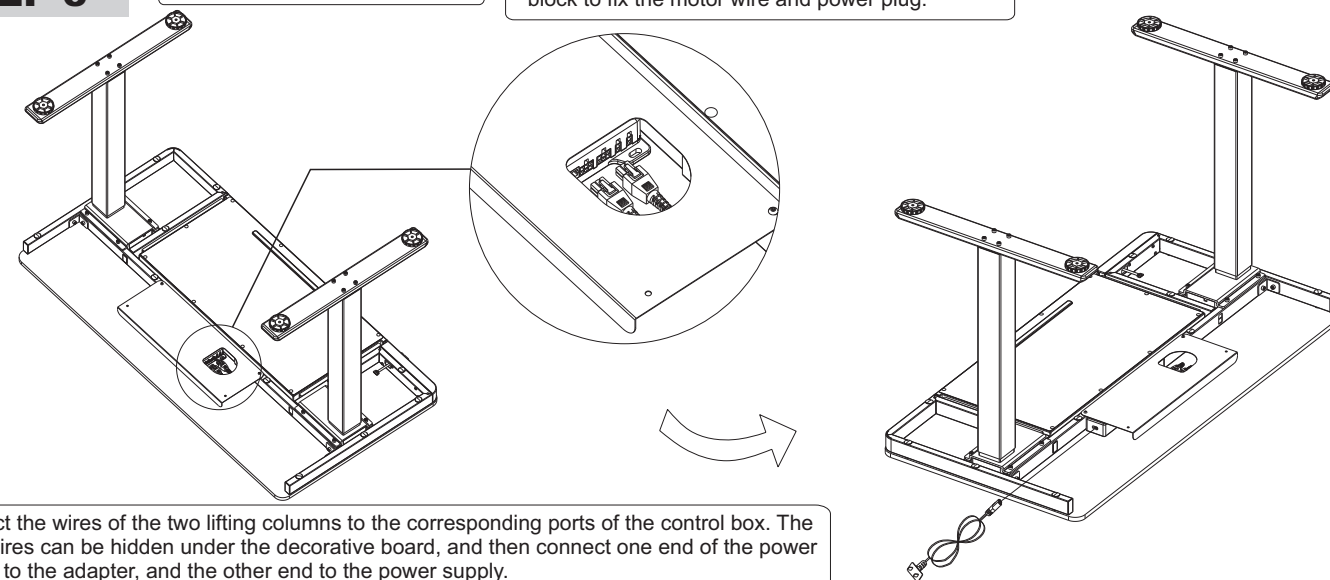


Use a hexagon allen key (C) and M6x30 screws (Bx8) to install the pedestals(3) on the lifting columns.

STEP 3

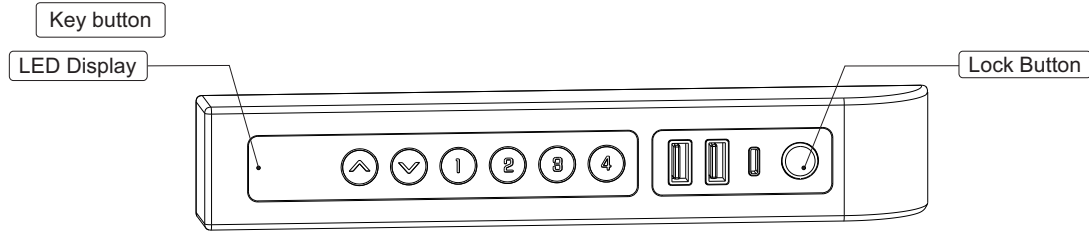
Install the motor and power plug

According to the actual situation, use the terminal block to fix the motor wire and power plug.



Connect the wires of the two lifting columns to the corresponding ports of the control box. The extra wires can be hidden under the decorative board, and then connect one end of the power plug(4) to the adapter, and the other end to the power supply.

Operation Instruction



1. Hold the "▲" or "▼" button to adjust the height of the desk. The desk will stop lifting as soon as the button is released by default. Press and hold the "▼" and "2" buttons for 3 seconds to turn on the function that press and hold the "▲" or "▼" button for 1.2s to automatically lift the desk. The screen will show "bot" when the desktop reaches its lowest position, show "top" when the desktop reaches its highest position
2. key button: 1,2,3,4 are the four height-memory buttons, long press the button for 3 seconds can record the current height;
3. Simultaneously press the 3 and 4 buttons, the RST reset indication will appear. Continue to press the "▼" down button to finish reset.
4. This product has a self-adaptive function, even if the two feet are placed on uneven surface, the desktop can be horizontal through self-adaptation. In the normal state, hold the "▼" and "3" buttons simultaneously to enter the balance adjusting mode. When you see any movement, release the button. Pressing any key at this time is invalid until the adjustment is completed, then the buzzer will beep twice.
5. The desk has two USB, one type-C ports, they can supply power to other electronics. Every channel can maximum output DC 5V/2.4A power when the desktop is stationary and it will cut the power when the desktop is running, the power will be reconnected once the desktop stops.
6. Short press the "LOCK" button to turn on the child lock function to avoid accidentally touch and guarantee the safety of children; The child lock button is switchable, screen will show "Loc" when it is locked.
6. Long press the up and down button to switch the sensitivity level. When the screen shows "A-0", it means the anti-collision function is off, "A-1" means the anti-collision sensitivity is in level 1, "A-2" means the anti-collision sensitivity is in level 2, "A-3" means the anti-collision sensitivity is in level 3 which is the highest sensitivity.

• Troubleshooting:

- a. Reset Function: When the LED shows "R5f", press "▼" button until the desk reaches its lowest height and rebounds to stop, it means the reset has been finished and the desk can be used normally.
- b. When it doesn't work and the LED shows "E01" or "E02", please let the desk rest for more than 18 minutes before it can be used normally.
- c. If the "▼" button doesn't work, please check the cable connection is normal and then cut off the power for at least 10 seconds. Reconnect to the power and press the "▼" button, the display will show the "R5f", then long press the "▼" button to reset.
- d. If all these operations above can not make the desk run normally, please contact customer service.

Common fault treatment

The following tips will help you detected and eliminate the common fault and error. If the fault you met is not listed below, please contact with your supplier. Only the manufacturer and professionals are capable for investigating and correcting those fault and error.

Fault phenomenon	Method
No response while long pressing down arrow after connected with a power supply	1. Check if all the cables be connected well 2. Contact your supplier or dealer
No response while pressing up arrow/ down arrow after connected with a power supply	1. Check if all the cables be connected well 2. Contact your supplier or dealer
Rising in a low speed	1. Check if overloaded, max loading: 50kg; 2. Contact your supplier or dealer
The motor not move as instructed	1. Contact your supplier or dealer
Go down but not go up	1. Reposition 2. Contact your supplier or dealer
Downward sliding	1. Check if overloaded, max loading: 50kg; 2. Contact your supplier or dealer
Frequently Reposition	1. Check if overloaded, max loading: 50kg; 2. Contact your supplier or dealer
Overwork (Duty cycle: Max 2min on/18min OFF)	1. Restart after suspend for 18mins while connecting with power; 2. Contact your supplier or dealer;
Not enough up&down height	1. Press "3" and "4" together for 3 seconds or more, after hearing continuous beeping for twice, it will restore factory settings 2. Contact your supplier or dealer



Attention

1. Power supply: AC100V-240V,50/60Hz
2. Service Environment: 0-40°C
3. Unplug the power plug before cleaning, wipe the dust on surface with slight wet dishcloth when cleaning, be careful not to let the drops into the internal parts, not loose the connector.
4. The electric box contains electronic components, metals, plastics, wires etc., so dispose of it in accordance with each country's environmental legislation, not the general household waste.
5. Check carefully to ensure correct and complete assembly before using.
6. Be familiar with all functions and program settings of the product before first use.
7. Children are forbidden to play on the desk as the behavior is unpredictable. Manufacturer is not responsible for loss, injury, or damage due to those improper action.
8. Slight noise caused by the V-ribbed belt or brake system due to structure will not have any effect on the use of the equipment.
9. Corrosive or abrasive materials are forbidden to clean the equipment. Must ensure that the cleaner used will not pollute the environment.
10. This appliance can be used by children aged from 8 years and above and persons with reduced physical, sensory or mental capabilities or lack of experience and knowledge if they have been given supervision or instruction concerning use of the appliance in a safe way and understand the hazards involved. Children shall not play with the appliance.
11. Cleaning and user maintenance shall not be made by children without supervision.
12. If the supply cord is damaged, it must be replaced by the manufacturer, its service agent or a similarly qualified person in order to avoid a hazard.
13. Please make sure there is no hazard sources in your operating environment. e.g., do not litter the tools around. Always be careful to treat the packaging materials in order to avoid any possible danger, e.g. plastic bag may lead to choking hazard to children.
14. Keep the original package of the equipment if necessary in case of the future use in transportation.

Waste disposal



This marking indicates that this product should not be disposed with other household wastes. To prevent possible harm to the environment or human health from uncontrolled waste disposal, recycle it responsibly to promote the sustainable reuse of material resources. To return your used device, please use the return and collection systems or contact the retailer where the product was purchased. They can take this product for environmental safe recycling.