

ASSEMBLY INSTRUCTIONS

**Uniform 2 door cupboard
2 open shelves**

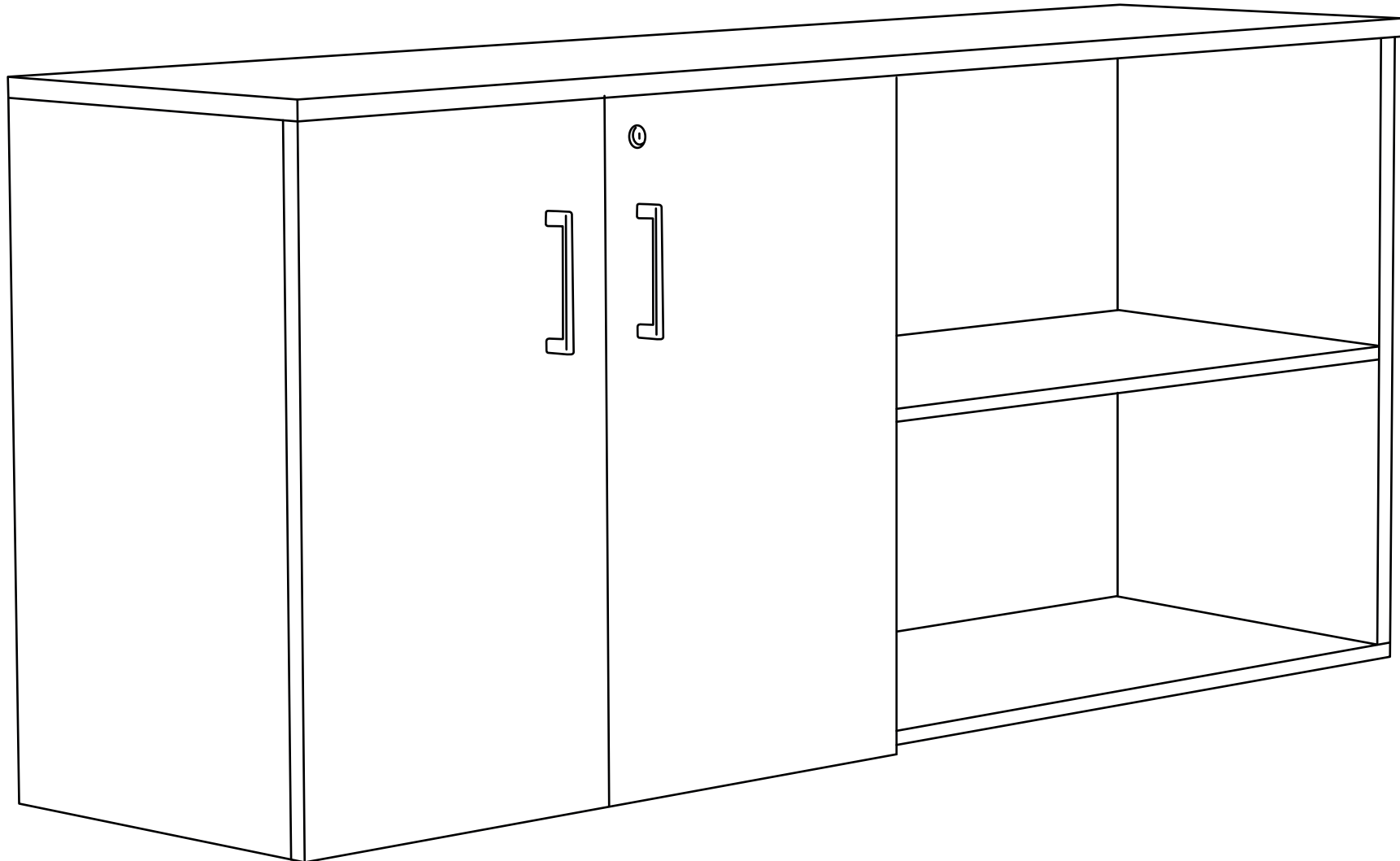
Size (mm): 1600W x 350D x 750H

www.jasonl.com.au

Need help!

Call us on
1300 527 665

jason.l
your office furniture mate



ASSEMBLY INSTRUCTIONS

**Uniform 2 door cupboard
2 open shelves**

Size (mm): 1600W x 350D x 750H

www.jasonl.com.au

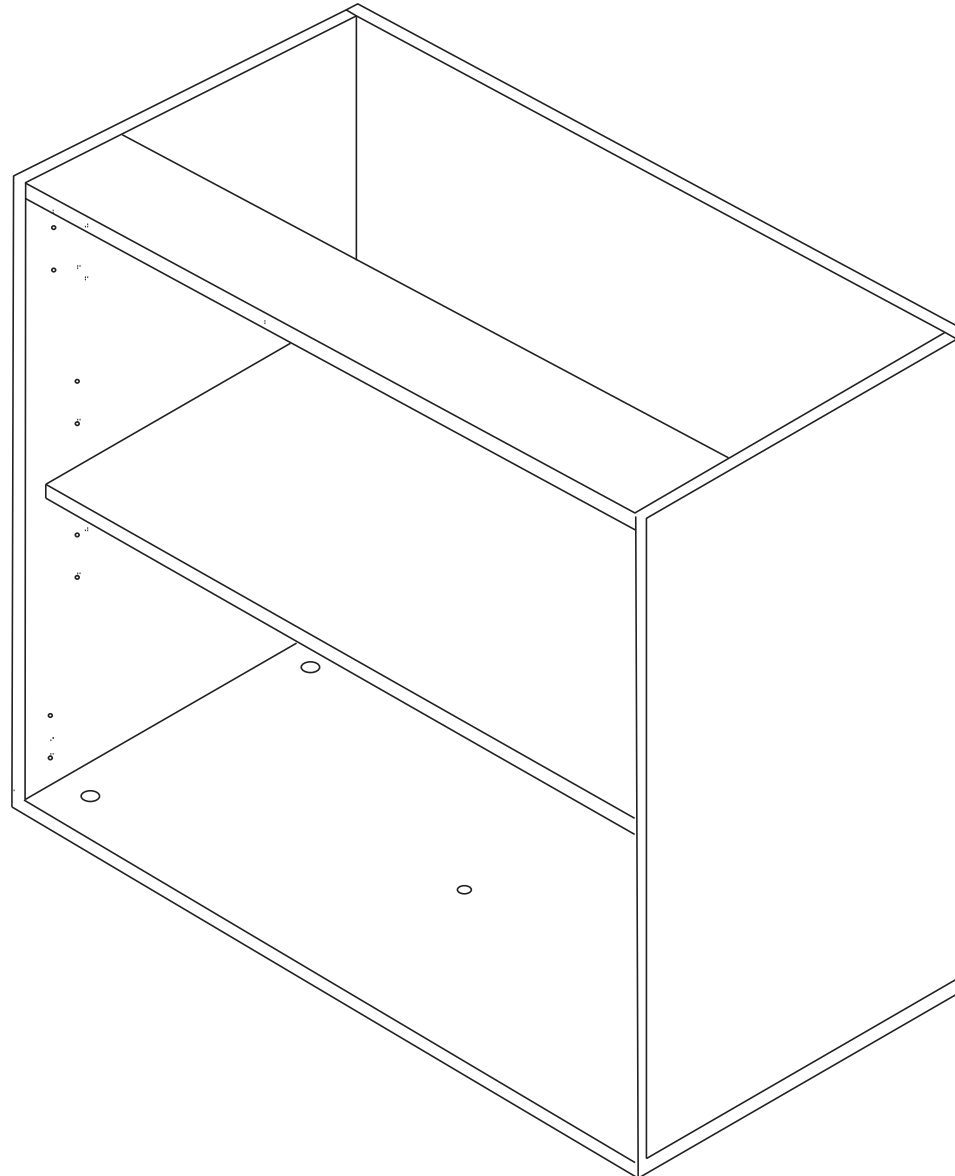
Need help!

Call us on
1300 527 665

jason.l
your office furniture mate



The product consists of two modules. Let's start assembling the two open shelf without doors.



ASSEMBLY INSTRUCTIONS

Uniform 2 door cupboard 2 open shelves

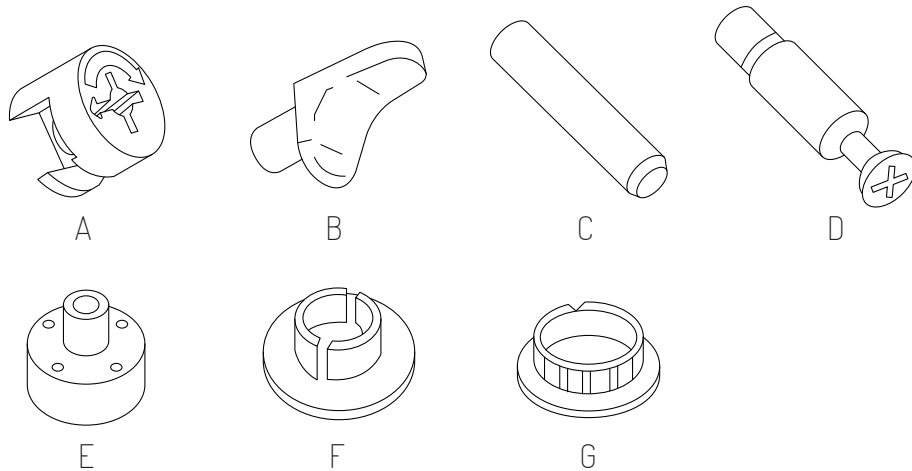
Size (mm): 1600W x 350D x 750H

www.jasonl.com.au

Need help!

Call us on
1300 527 665

jason.l
your office furniture mate



COMPONENTS

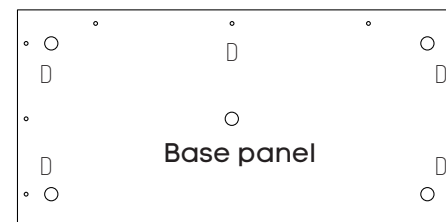
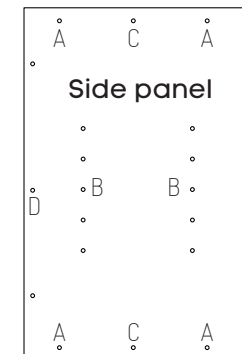
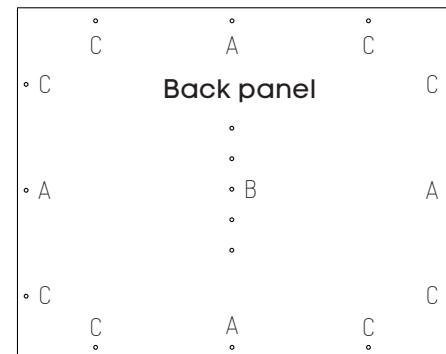
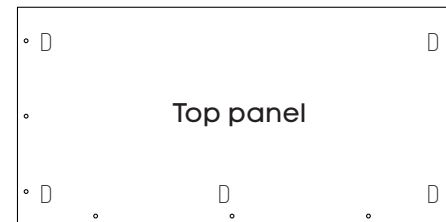
- | | | | |
|---|--------------------------------|---|-------------------------------|
| A | Minifix Housing x28 | E | Adjustable Leveller N2880 x10 |
| B | Collar Stud x10 | F | Leveller N2880 Cap x10 |
| C | Rubber Wood Dowel M8 x40mm x28 | G | Deco Cap x10 |
| D | Minifix Connecting Bolt x28 | H | Safety hook * |

PANELS

- Back Panel x2
- Side Panel x4
- Base Panel x2
- Shelf Panel x2
- Top Rail x2

DOOR ASSEMBLY

- 5/8 Door Hinge c/w Mounting Plate x8
- Chipboard Screw 4x16mm x48
- CSK Tapping Screw #4 3/4" x8
- Rim Lock CL 2/3 x2
- Pan Head Self Tapping Screw x8
- L Huwil Bracket x2
- Plate Bracket BK x2



ASSEMBLY INSTRUCTIONS

Uniform 2 door cupboard 2 open shelves

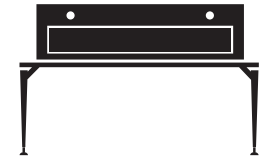
Size (mm): 1600W x 350D x 750H

www.jasonl.com.au

Need help!

Call us on
1300 527 665

jason.l
your office furniture mate

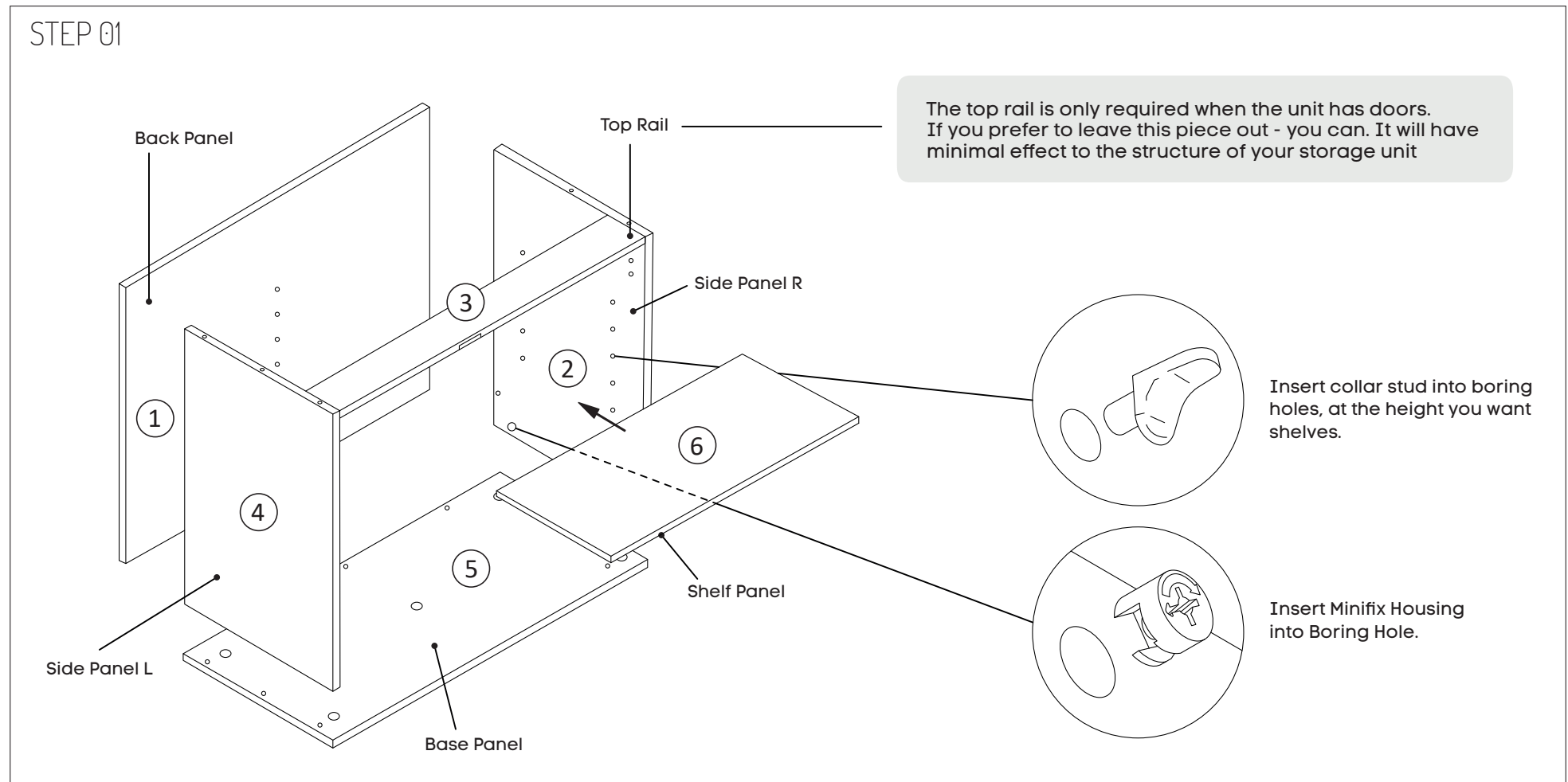


Function of Klix Cam

Turn for locking
75° Min - 195° Max

Make sure the arrow is pointing upwards before inserting into the panel's hole.

STEP 01



Assemble all panels in the following order.

ASSEMBLY INSTRUCTIONS

Uniform 2 door cupboard 2 open shelves

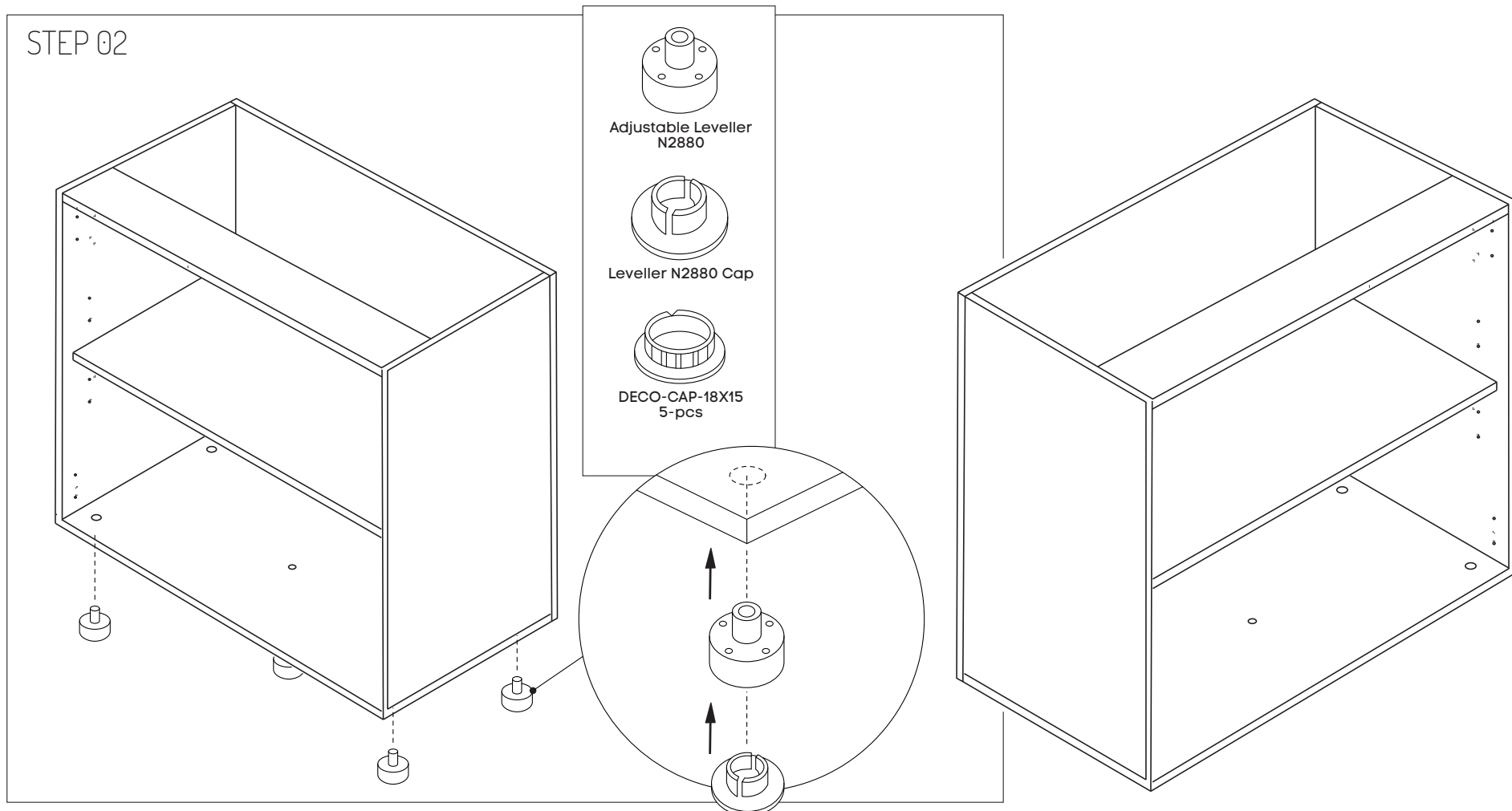
Size (mm): 1600W x 350D x 750H

www.jasonl.com.au

Need help!

Call us on
1300 527 665

jason.l
your office furniture mate



Tighten leveller into boring hole and screw the cap.
Use DECO-CAP-18X15 to seal holes on base panel.

ASSEMBLY INSTRUCTIONS

Uniform 2 door cupboard 2 open shelves

Size (mm): 1600W x 350D x 750H

www.jasonl.com.au

Need help!

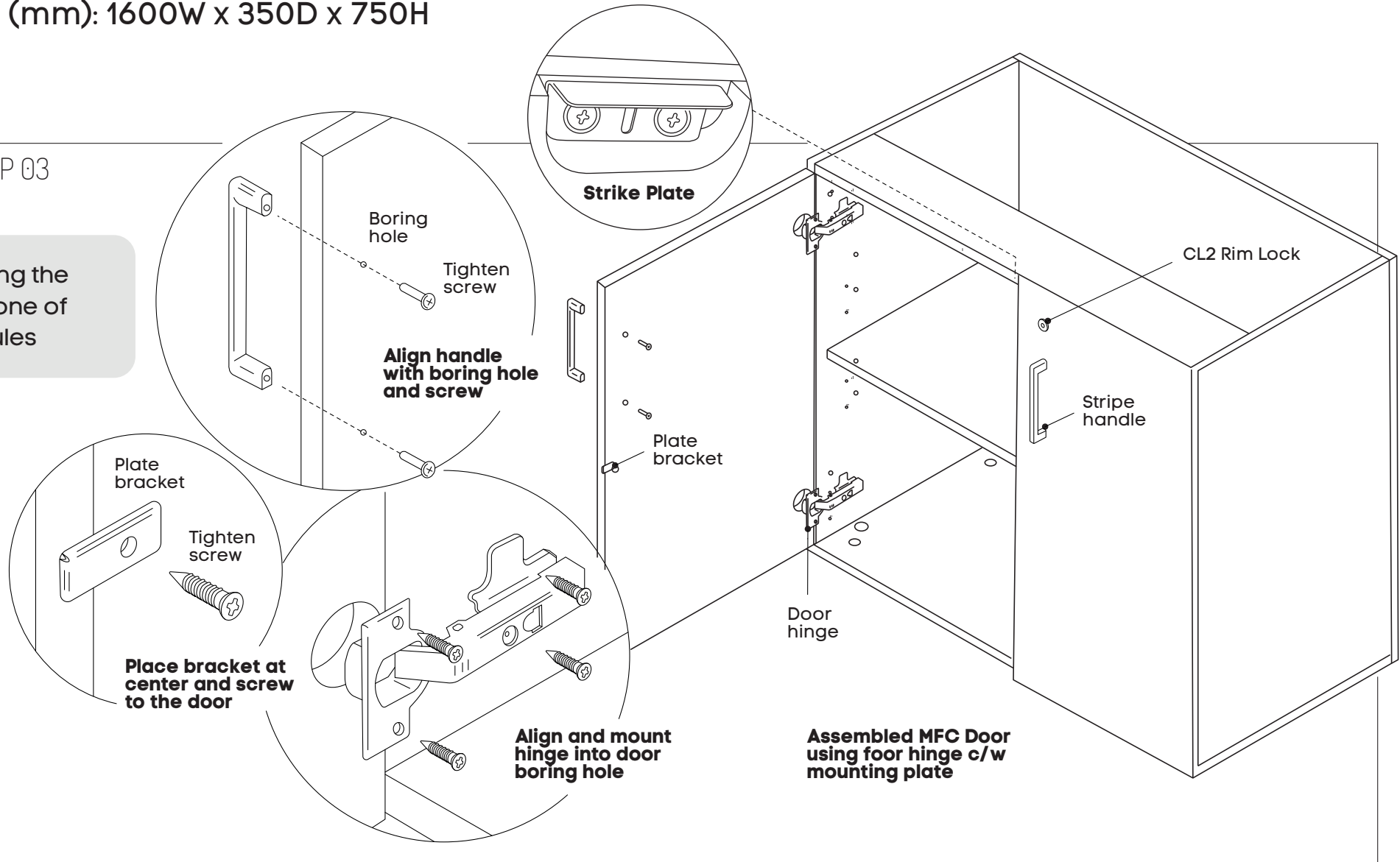
Call us on
1300 527 665

jason.l
your office furniture mate



STEP 03

Assembling the doors in one of the modules



ASSEMBLY INSTRUCTIONS

**Uniform 2 door cupboard
2 open shelves**

Size (mm): 1600W x 350D x 750H

www.jasonl.com.au
Need help!
Call us on
1300 527 665

jason.l
your office furniture mate



Assembling the two modules.
Add single top over the two modules

