

**ASSEMBLY INSTRUCTIONS**

# Uniform Panel Return Desk with Open Hutch

Sizes (mm): 1200L/1400L/1600L x 1600D

[www.jasonl.com.au](http://www.jasonl.com.au)

**Need help!**

Call us on  
**1300 527 665**

**jason.l**  
your office furniture mate



2 persons required for installation

**ASSEMBLY INSTRUCTIONS**

# Uniform Panel Return Desk with Open Hutch

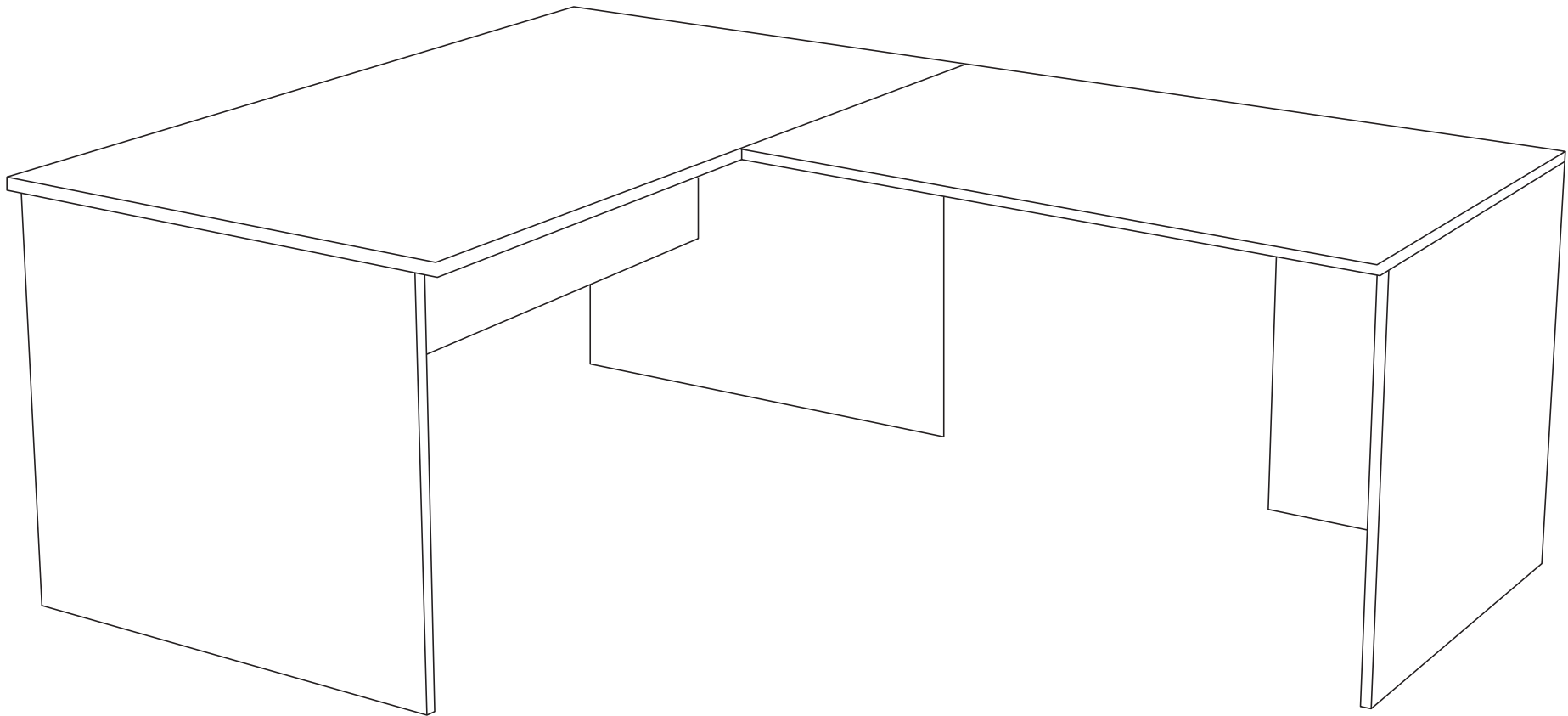
Sizes (mm): 1200L/1400L/1600L x 1600D

[www.jasonl.com.au](http://www.jasonl.com.au)

**Need help!**

Call us on  
**1300 527 665**

**jason.l**  
your office furniture mate



2 persons required for installation

## ASSEMBLY INSTRUCTIONS

# Uniform Panel Return Desk with Open Hutch

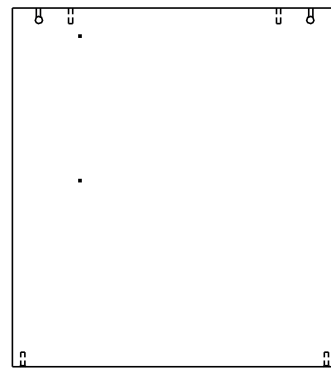
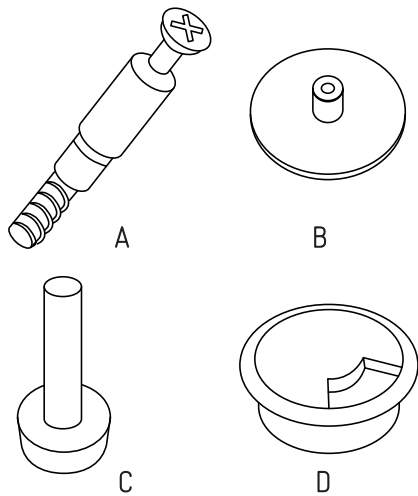
Sizes (mm): 1200L/1400L/1600L x 1600D

[www.jasonl.com.au](http://www.jasonl.com.au)

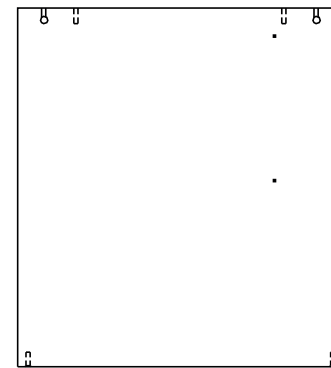
**Need help!**

Call us on  
**1300 527 665**

**jason.l**  
your office furniture mate



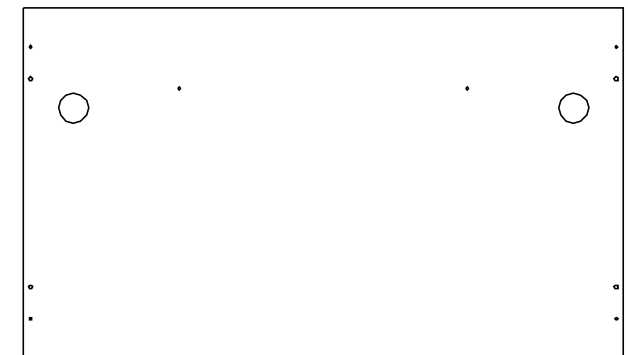
② SIDE PANEL R  
Qty: 1 pc



③ SIDE PANEL L  
Qty: 1 pc



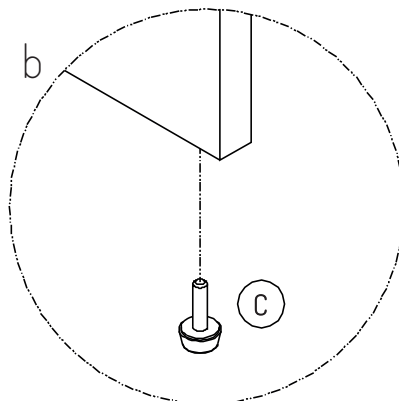
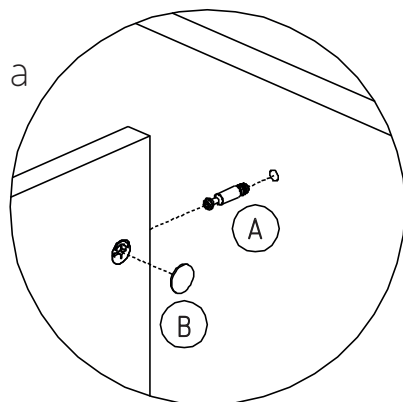
① FRONT PANEL  
Qty: 1 pc



④ TOP PANEL  
Qty: 1 pc

### COMPONENTS

- A Minifix Steel Bolt 10259 (10 pcs)
- B DECO CAP 16x5mm (10 pcs)
- C Leveller M6 x 25 x 18mm (4 pcs)
- D GRO-PLC-RD59 (2 pcs)



# ASSEMBLY INSTRUCTIONS

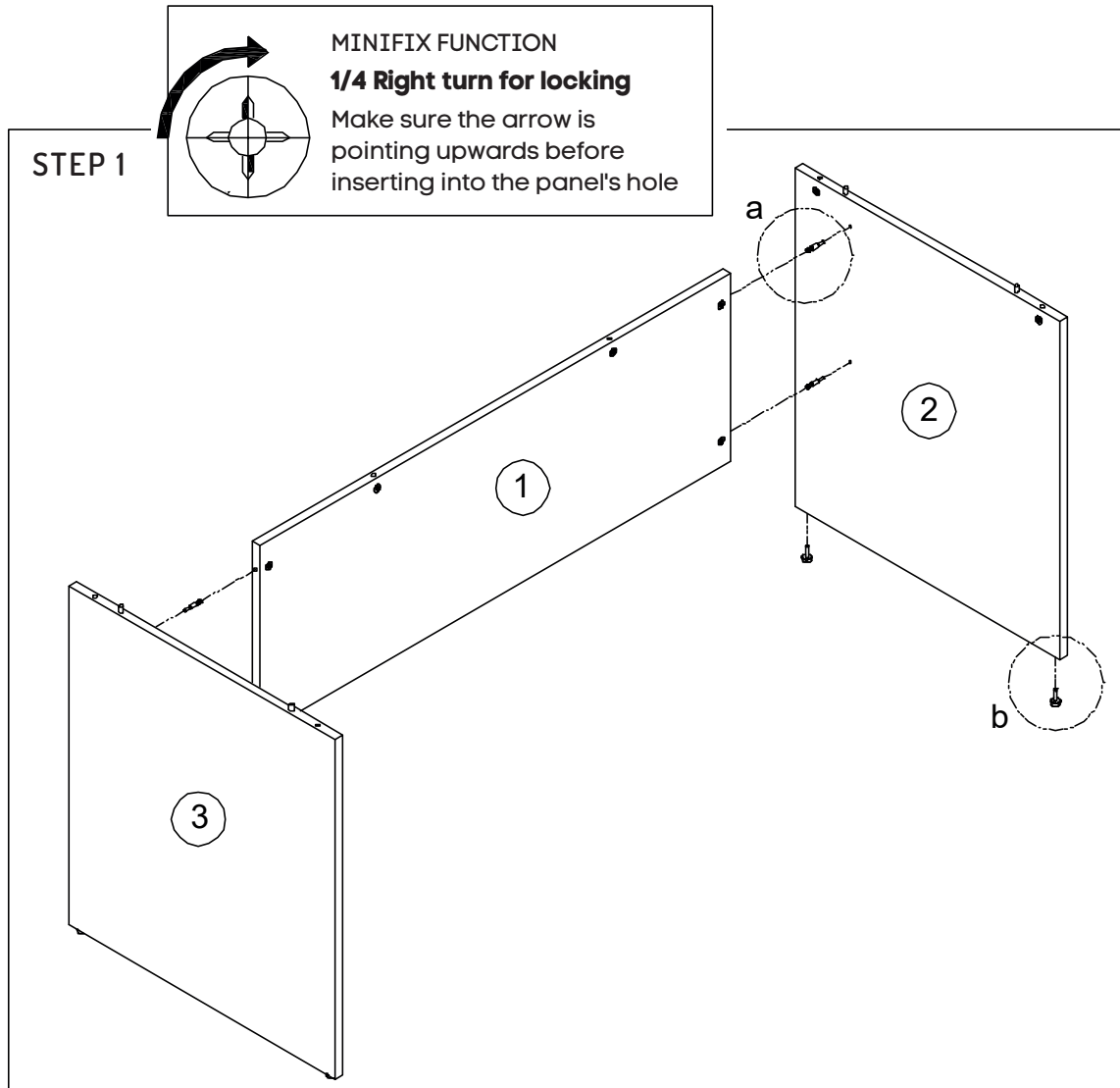
# Uniform Panel Return Desk with Open Hutch

www.jasonl.com.au  
**Need help!**  
Call us on  
**1300 527 665**

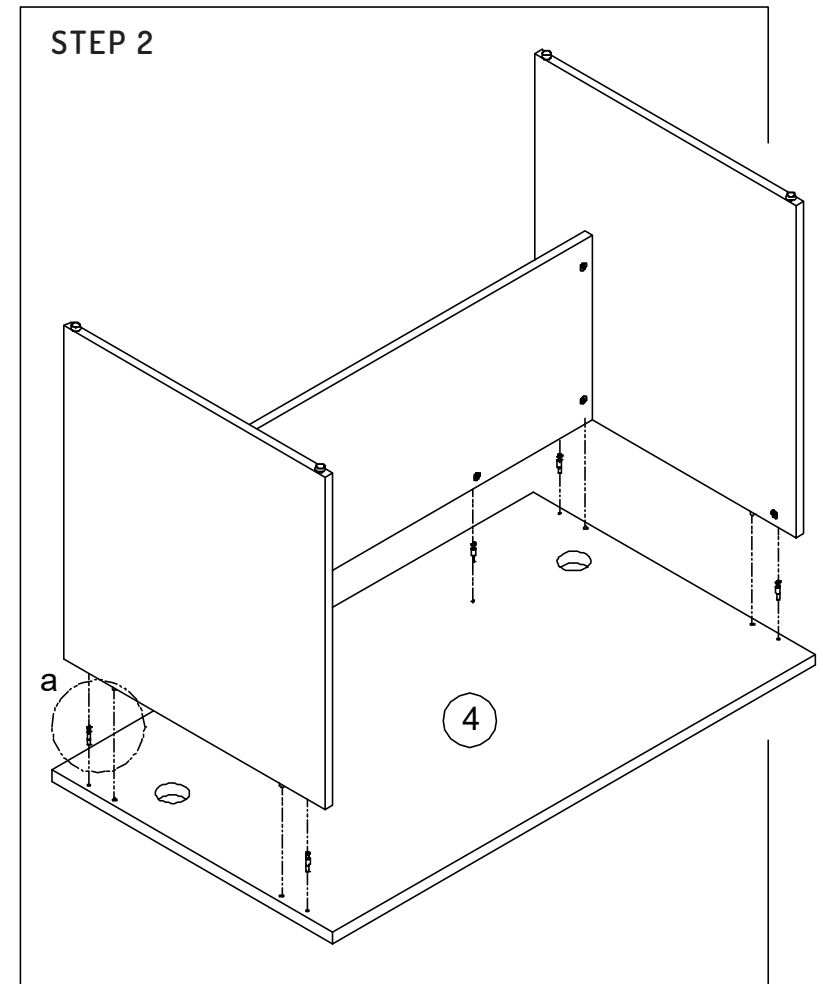
**jason.l**  
your office furniture mate



Sizes (mm): 1200L/1400L/1600L x 1600D



Assemble Part follow sequence number



Assemble the assembly at step 1 to Top Panel

**ASSEMBLY INSTRUCTIONS**

# Uniform Panel Return Desk with Open Hutch

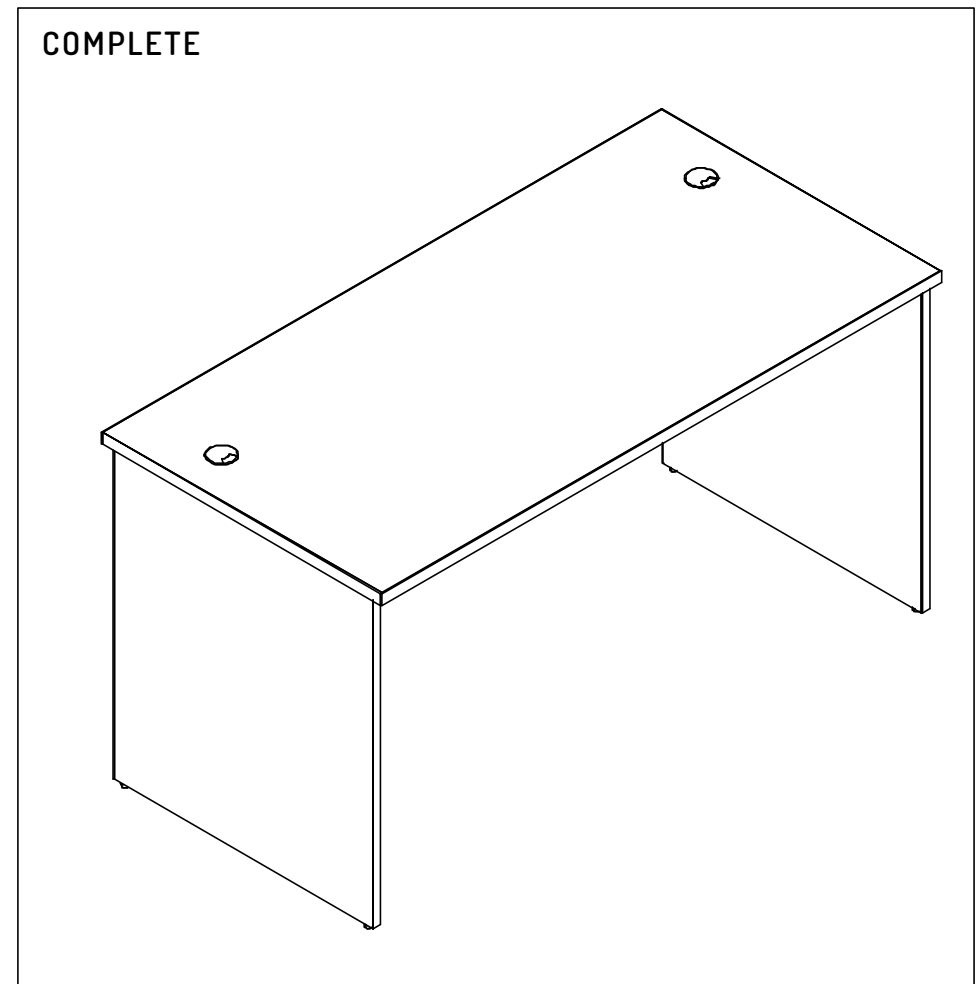
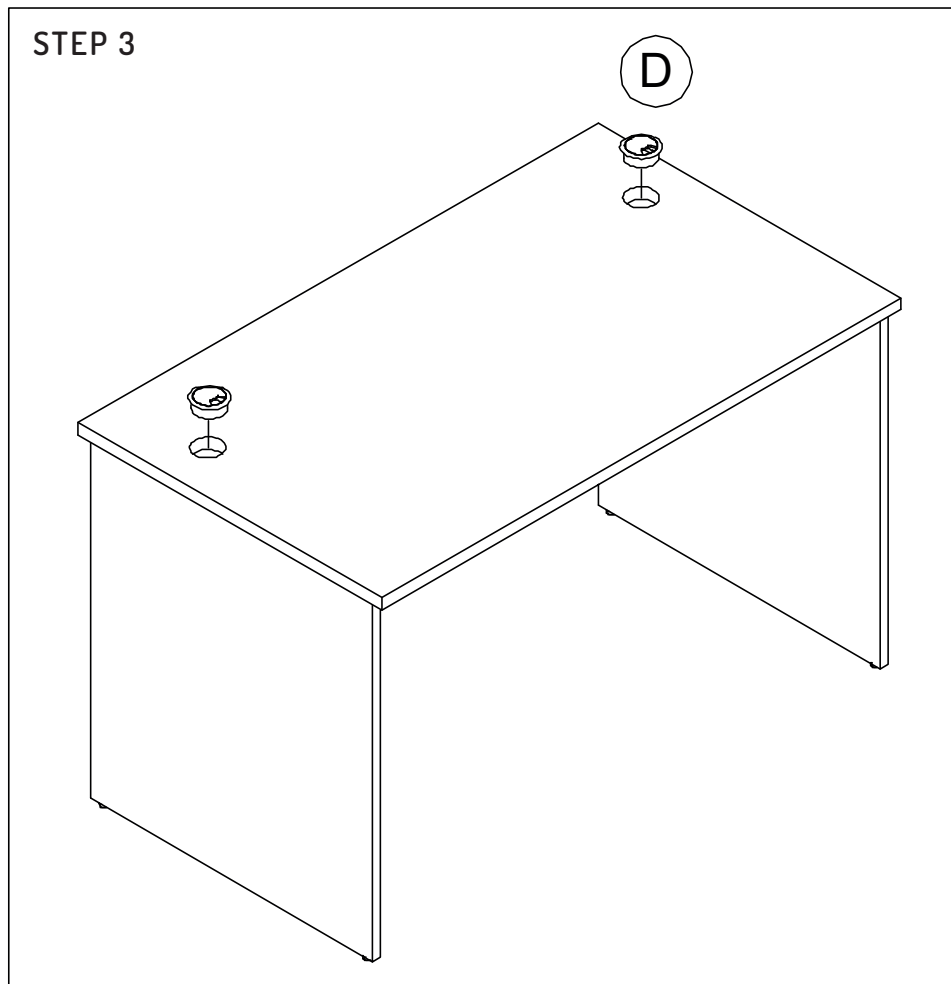
Sizes (mm): 1200L/1400L/1600L x 1600D

[www.jasonl.com.au](http://www.jasonl.com.au)

**Need help!**

Call us on  
**1300 527 665**

**jason.l**  
your office furniture mate



Assemble plastic grommet to table top

# ASSEMBLY INSTRUCTIONS

# Uniform Panel Return Desk with Open Hutch

Sizes (mm): 1200L/1400L/1600L x 1600D

www.jasonl.com.au

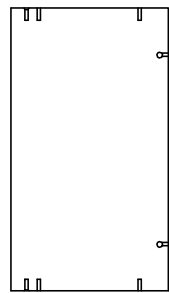
**Need help!**

Call us on  
**1300 527 665**

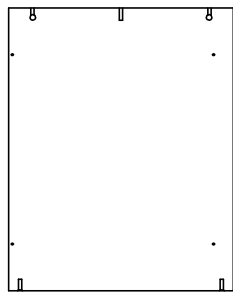
**jason.l**  
your office furniture mate



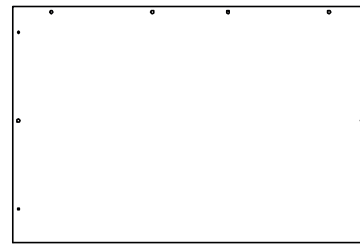
## Return assembly:



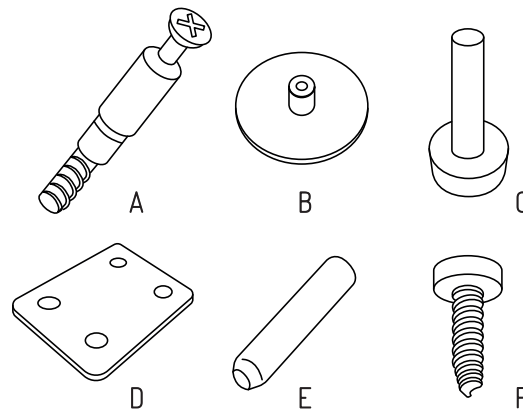
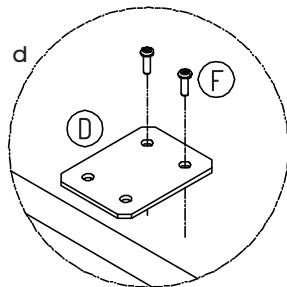
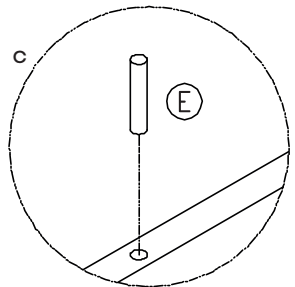
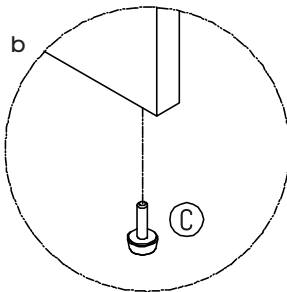
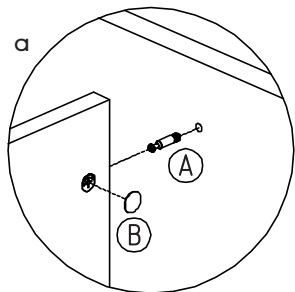
① FRONT PANEL  
Qty: 1 pc



② SIDE PANEL L  
Qty: 1 pc

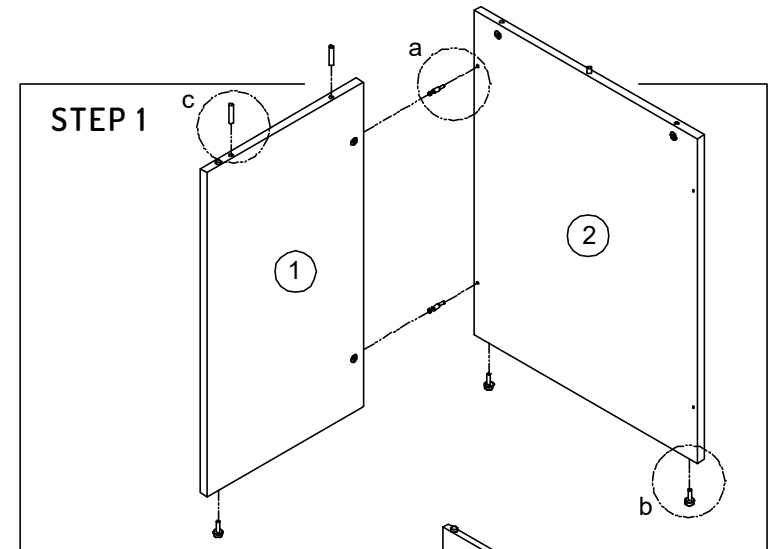


③ TOP PANEL  
Qty: 1 pc

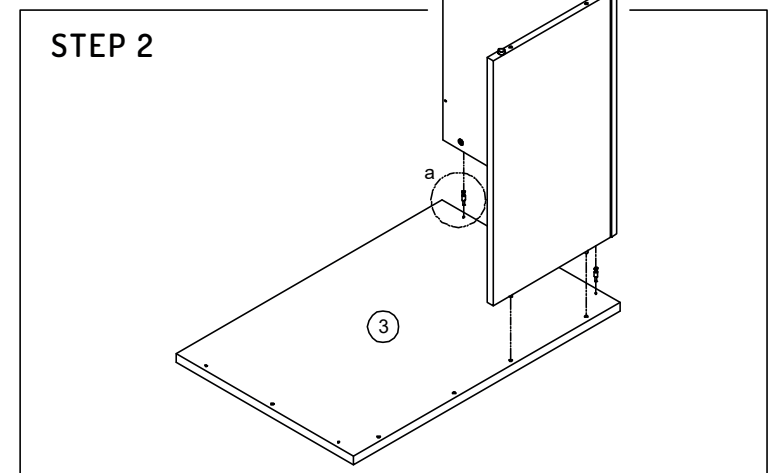


### COMPONENTS

- A Minifix Steel Bolt 10259 (4 pcs)
- B DECO CAP 16x5mm (4 pcs)
- C Leveller M6 x 25 x 18mm (3 pcs)
- D 4 Hole Bracket 80 x 60 x 3 mm (2 pcs)
- E Rubber Wood Dowel M8 x 40 (2 pcs)
- F Pan Head Self Tapping Screw #10 x 5/8" (8 pcs)



Assemble Part follow sequence number



Assemble the assembly at step 1 to Top Panel

**ASSEMBLY INSTRUCTIONS**

# Uniform Panel Return Desk with Open Hutch

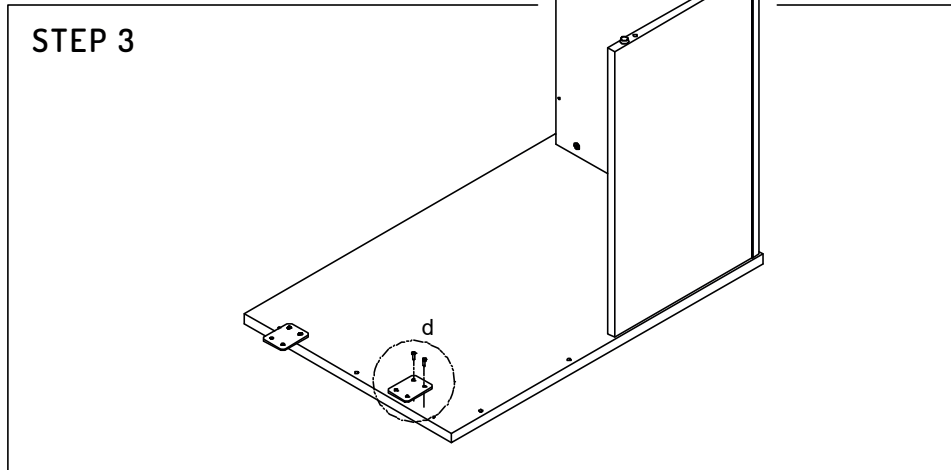
[www.jasonl.com.au](http://www.jasonl.com.au)  
**Need help!**  
Call us on  
**1300 527 665**

**jason.l**  
your office furniture mate

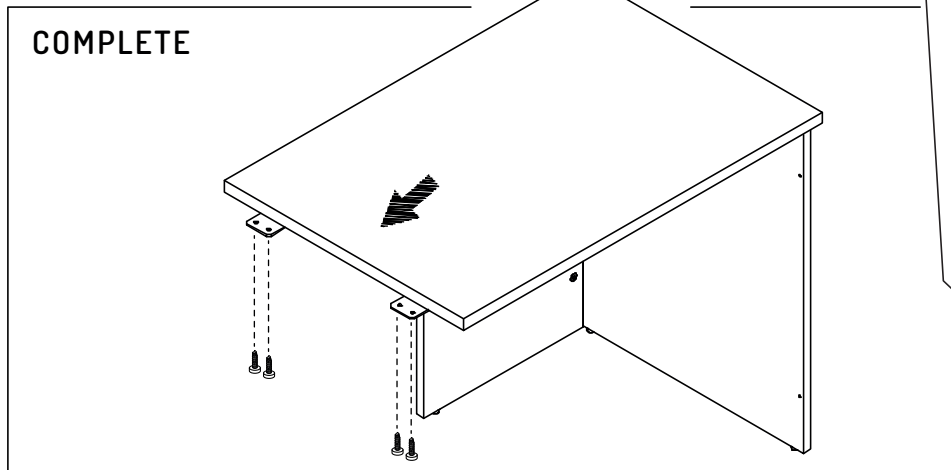


Sizes (mm): 1200L/1400L/1600L x 1600D

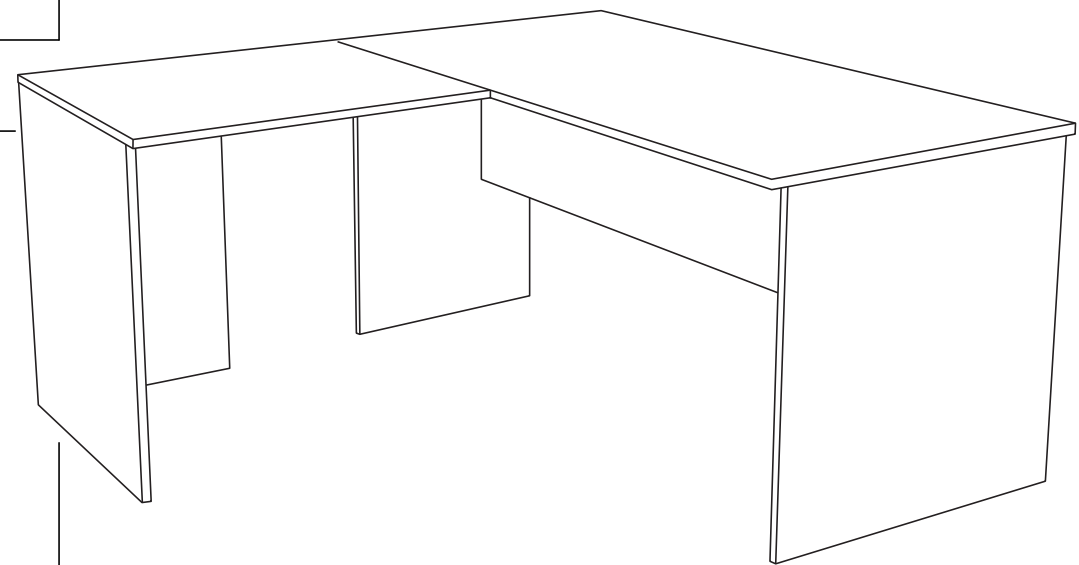
**Return assembly:**



Assemble Part follow sequence number



Please assemble and drill screw underneath table top



**ASSEMBLY INSTRUCTIONS**

# Uniform Panel Return Desk with Open Hutch

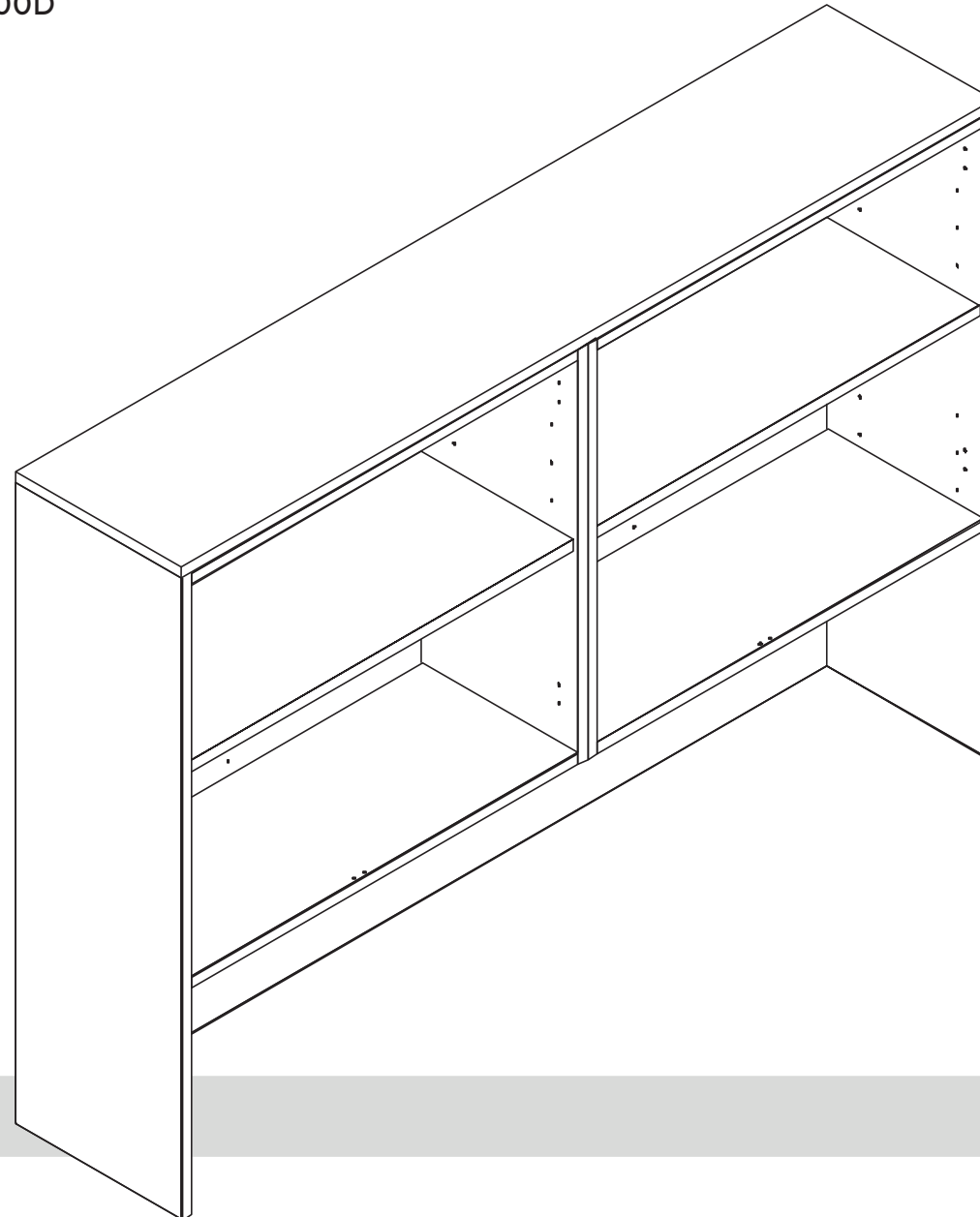
Sizes (mm): 1200L/1400L/1600L x 1600D

[www.jasonl.com.au](http://www.jasonl.com.au)

**Need help!**

Call us on  
**1300 527 665**

**jason.l**  
your office furniture mate



2 persons required for installation



# ASSEMBLY INSTRUCTIONS

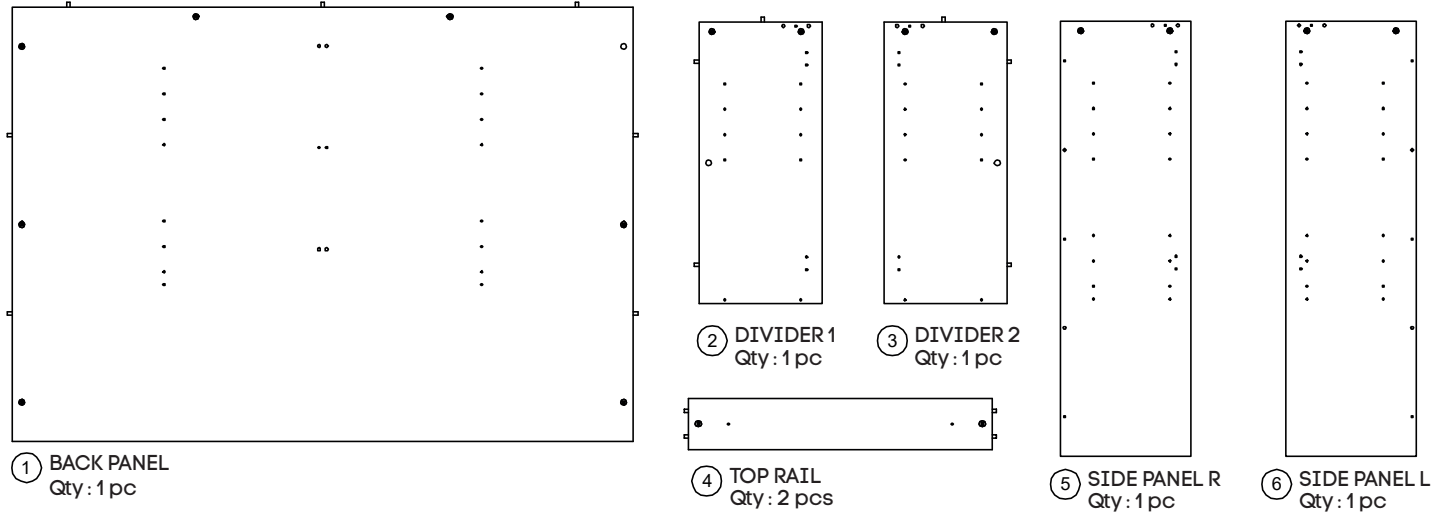
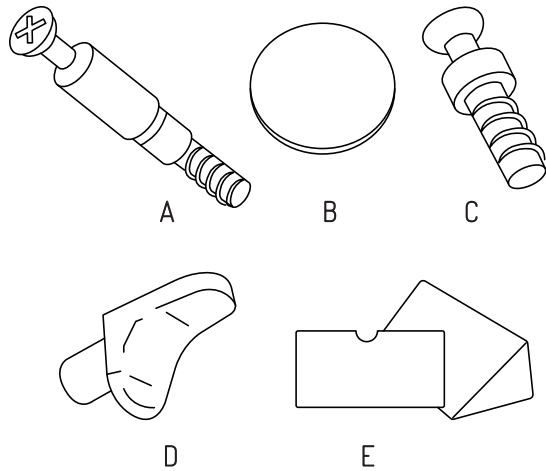
# Uniform Panel Return Desk with Open Hutch

www.jasonl.com.au  
**Need help!**  
 Call us on  
**1300 527 665**

**jason.l**  
 your office furniture mate

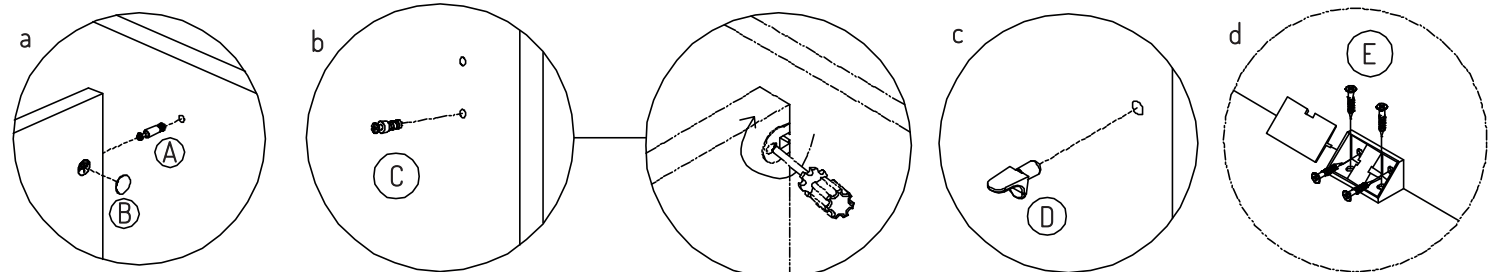
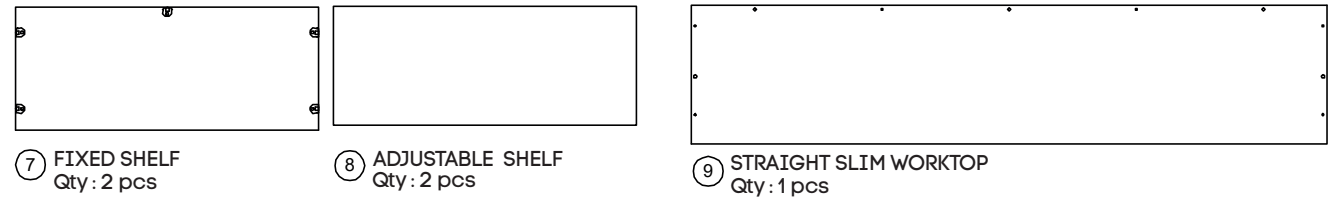


Sizes (mm): 1200L/1400L/1600L x 1600D



## COMPONENTS

- A Minifix Steel Bolt 10259 (22 pcs)
- B Deco Sticker 20mm Common (22 pcs)
- C Minifix Rafix Bolt 263-20-847 (10 pcs)
- D Collar Stud 284.84.710 (10 pcs)
- E Panel Angle Bracket 03 (2 Sets)



Direct screw to fix it

ASSEMBLY INSTRUCTIONS

# Uniform Panel Return Desk with Open Hutch

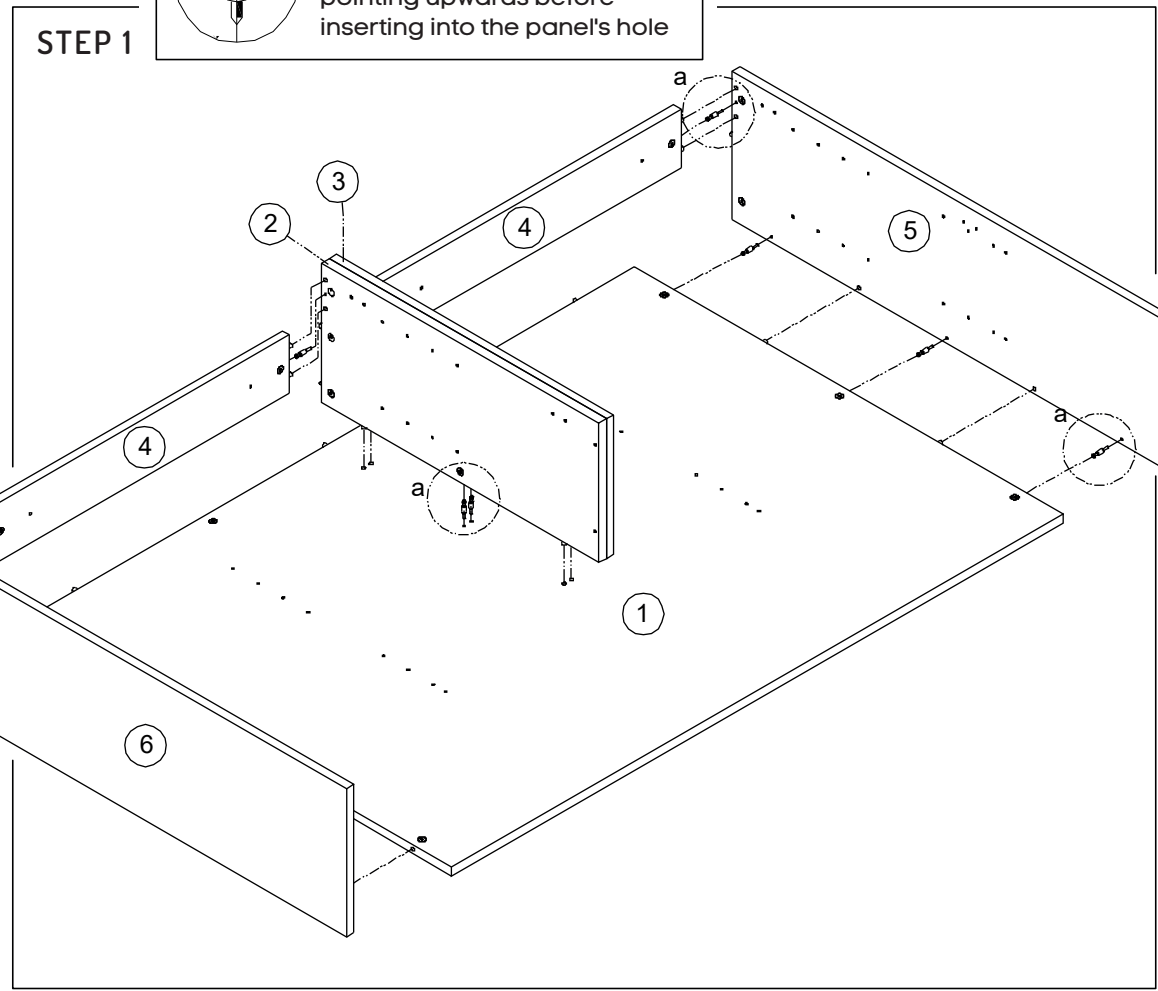
www.jasonl.com.au  
**Need help!**  
Call us on  
**1300 527 665**

**jason.l**  
your office furniture mate

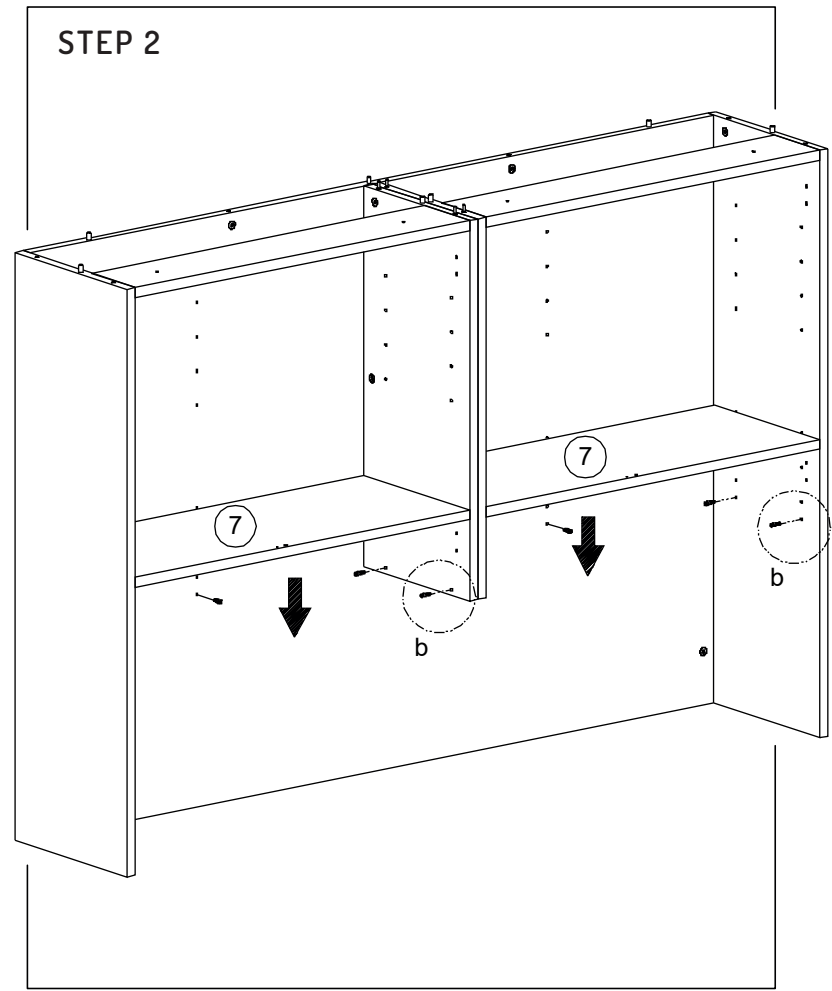


Sizes (mm): 1200L/1400L/1600L x 1600D

**MINIFIX FUNCTION**  
**1/4 Right turn for locking**  
Make sure the arrow is pointing upwards before inserting into the panel's hole



Assemble Part follow sequence number



Assemble the fixed shelf

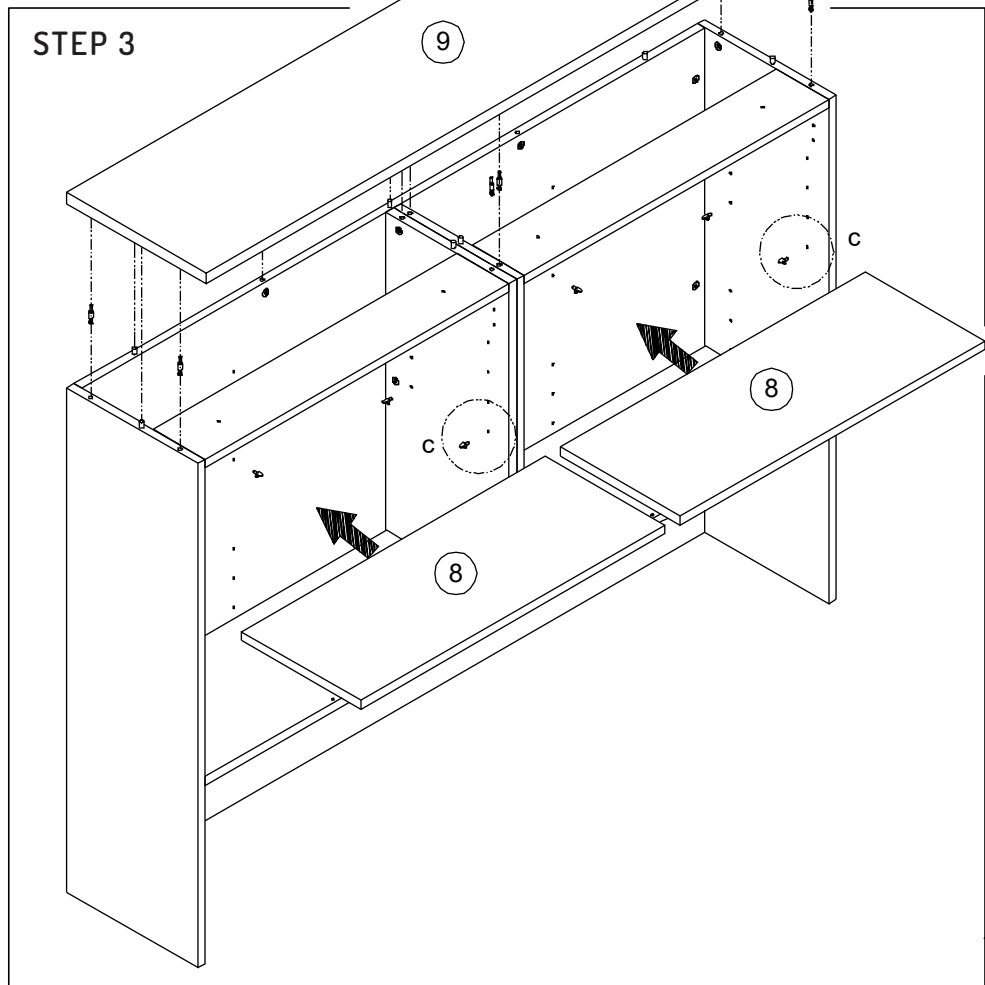
ASSEMBLY INSTRUCTIONS

# Uniform Panel Return Desk with Open Hutch

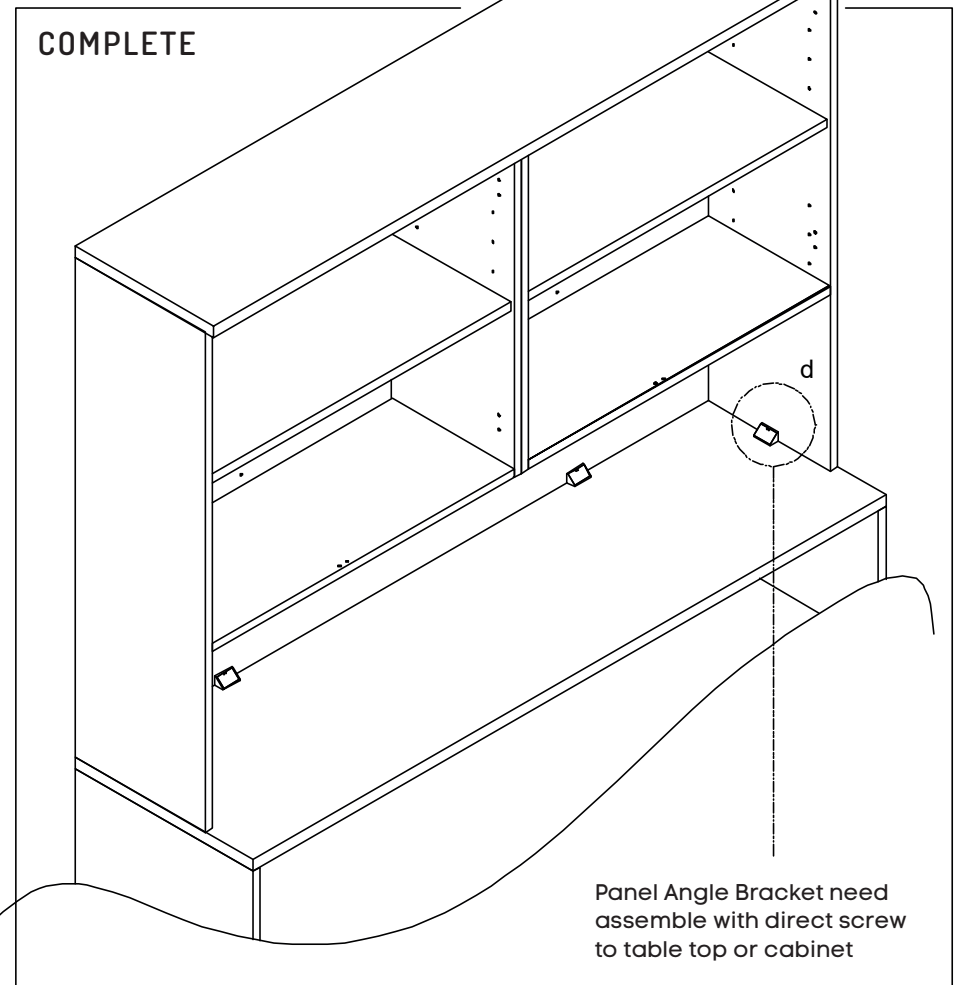
Sizes (mm): 1200L/1400L/1600L x 1600D

[www.jasonl.com.au](http://www.jasonl.com.au)  
**Need help!**  
Call us on  
**1300 527 665**

**jason.l**  
your office furniture mate



Assemble the adjustable shelf & straight slim worktop



Assemble the table top to complete the installation