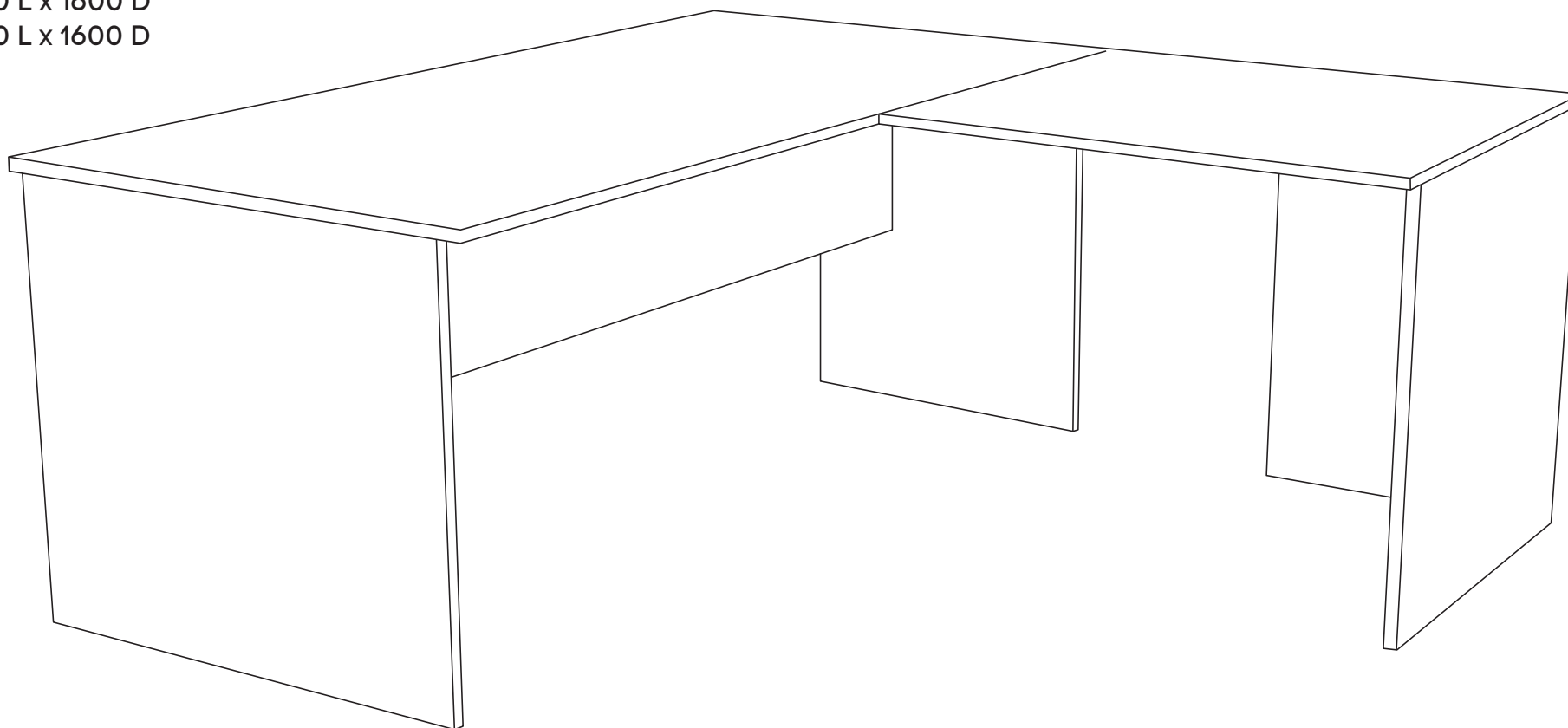


Uniform Panel L-Shaped Desk

Sizes:

1400 L x 1600 D

1600 L x 1600 D

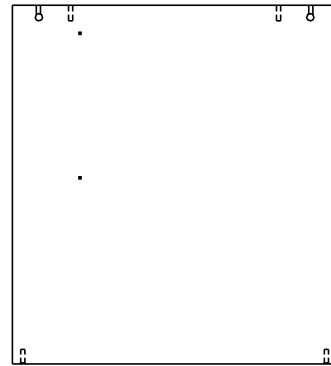
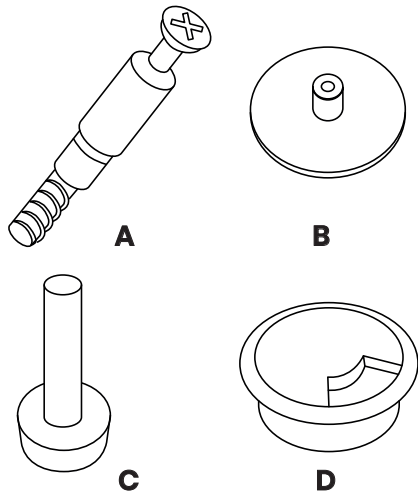


2 persons required for installation

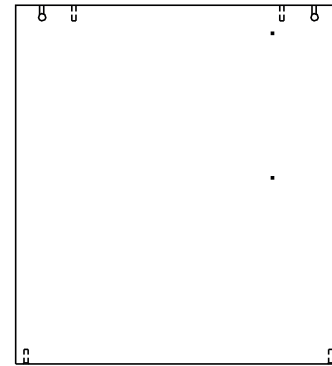
Need help!

Call us on **1300 527 665**

Uniform Panel L-Shaped Desk



② SIDE PANEL R
Qty: 1 pc



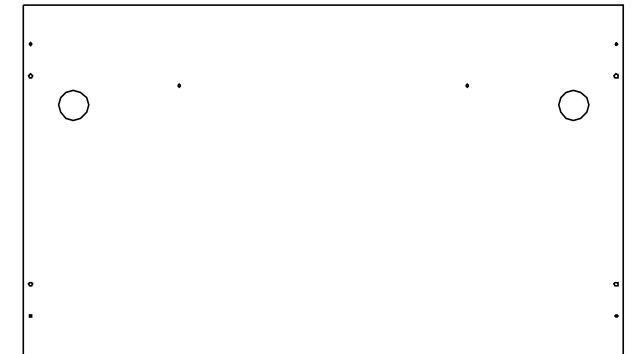
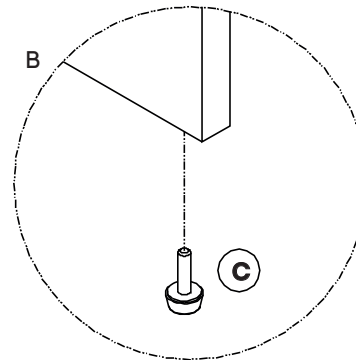
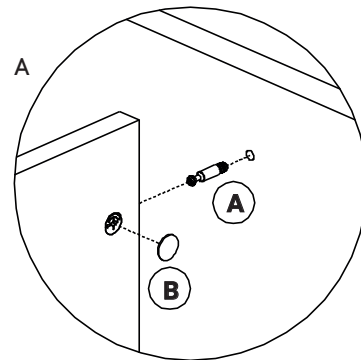
③ SIDE PANEL L
Qty: 1 pc



① FRONT PANEL
Qty: 1 pc

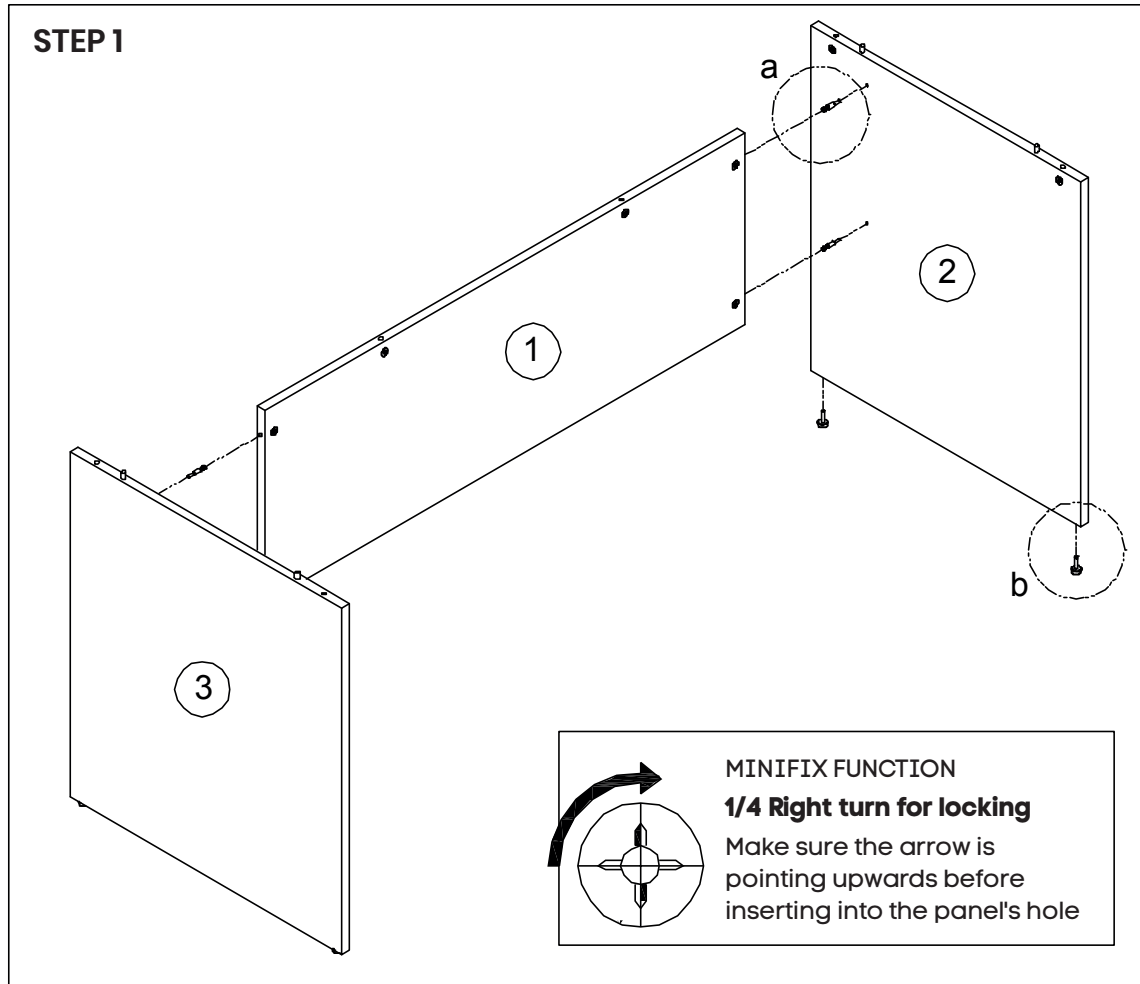
COMPONENTS

- A Minifix Steel Bolt 10259 (11 pcs)
- B DECO CAP 16x5mm (11 pcs)
- C Leveller M6 x 25 x 18mm (4 pcs)
- D GRO-PLC-RD59 (2 pcs)

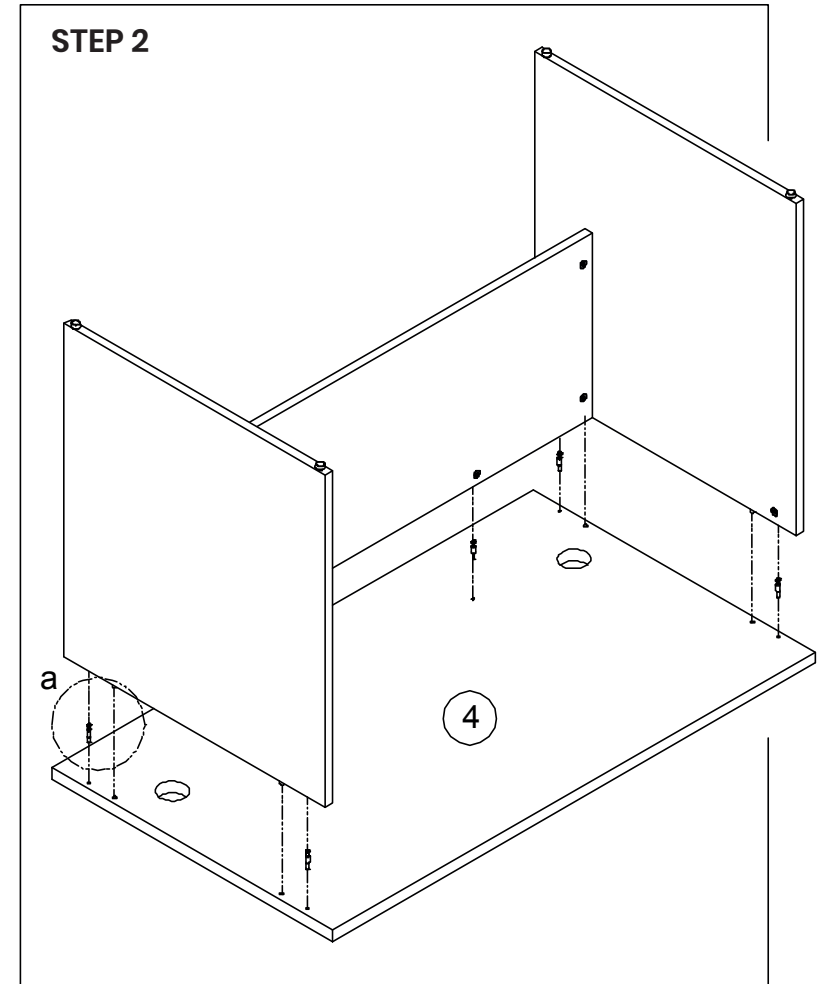


④ TOP PANEL
Qty: 1 pc

Uniform Panel L-Shaped Desk



Assemble Part follow sequence number

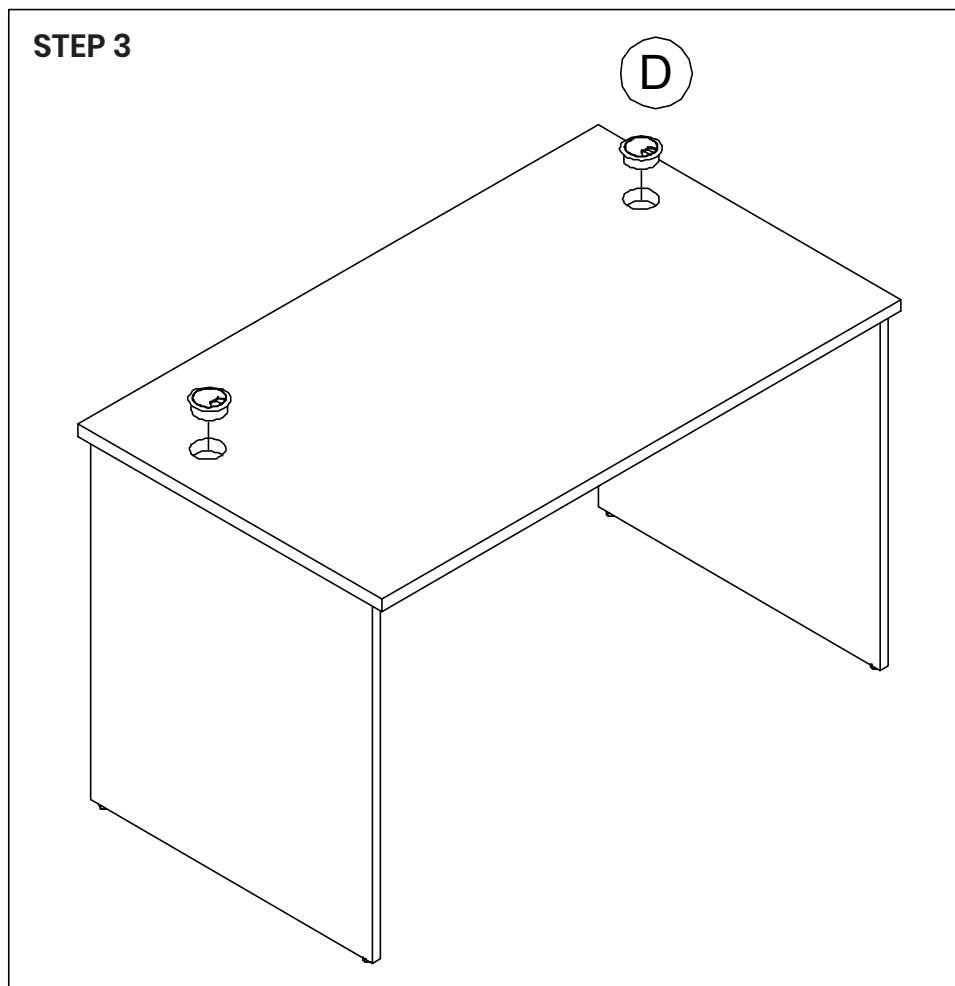


Assemble the assembly at step 1 to Top Panel

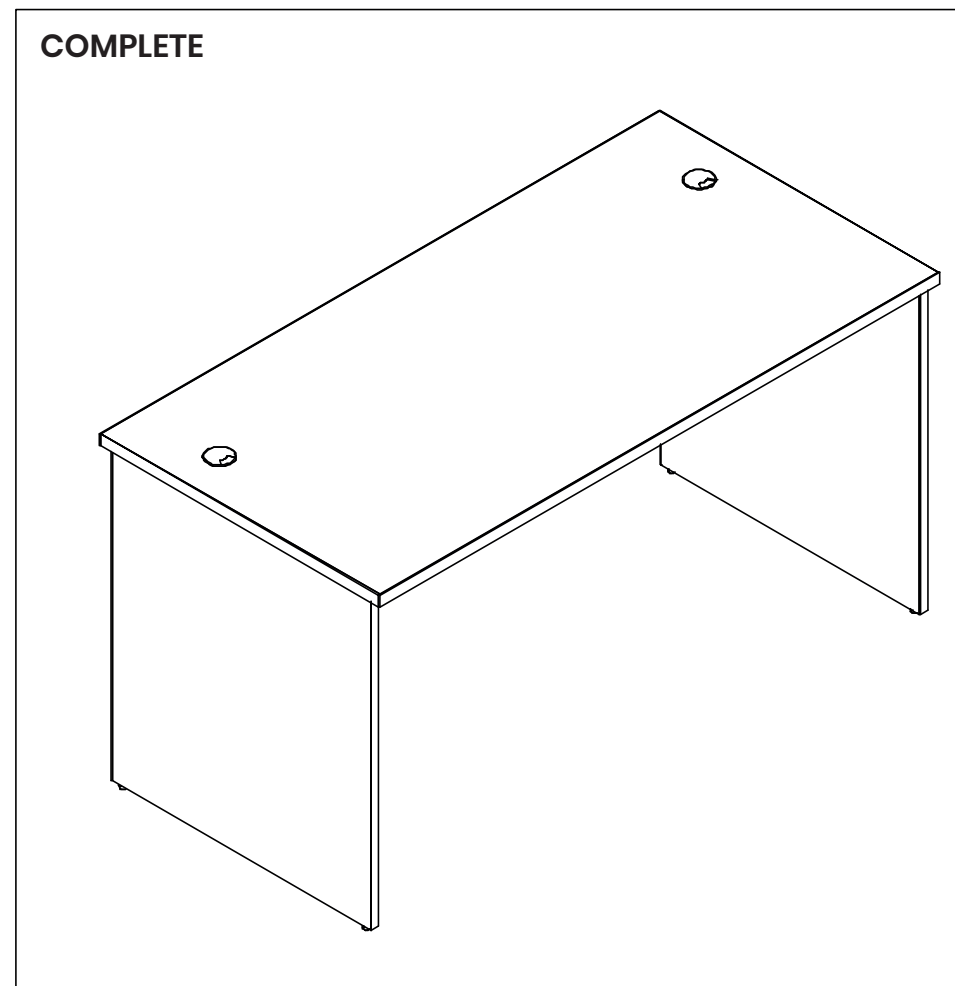
Need help!

Call us on **1300 527 665**

Uniform Panel L-Shaped Desk



Assemble plastic grommet to table top

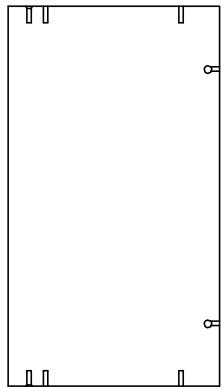


Need help!

Call us on **1300 527 665**

Uniform Panel L-Shaped Desk

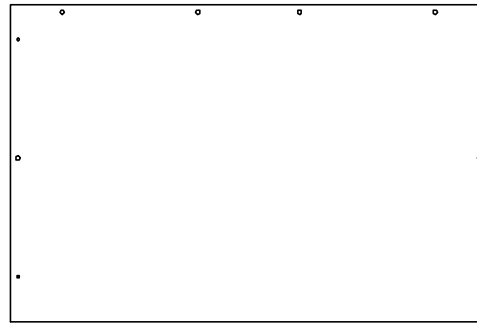
Return assembly:



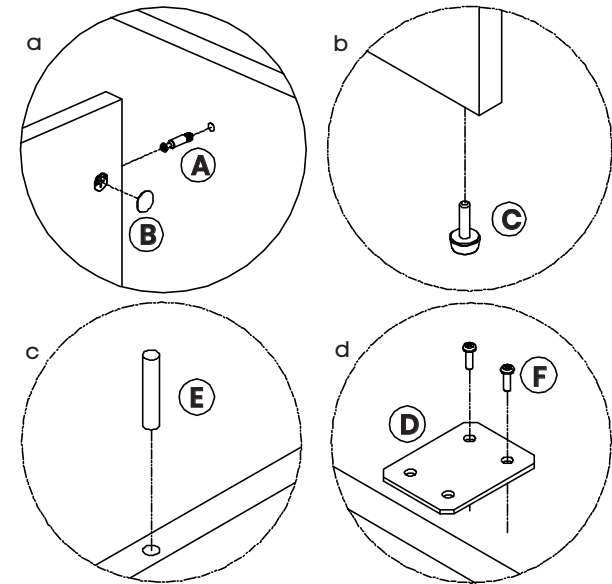
① FRONT PANEL
Qty : 1 pc



② SIDE PANEL L
Qty : 1 pc

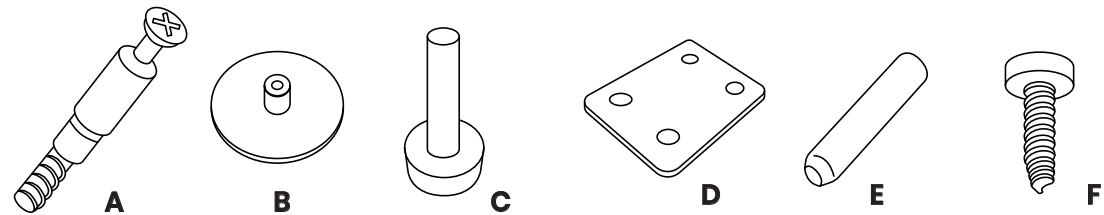


③ TOP PANEL
Qty : 1 pc



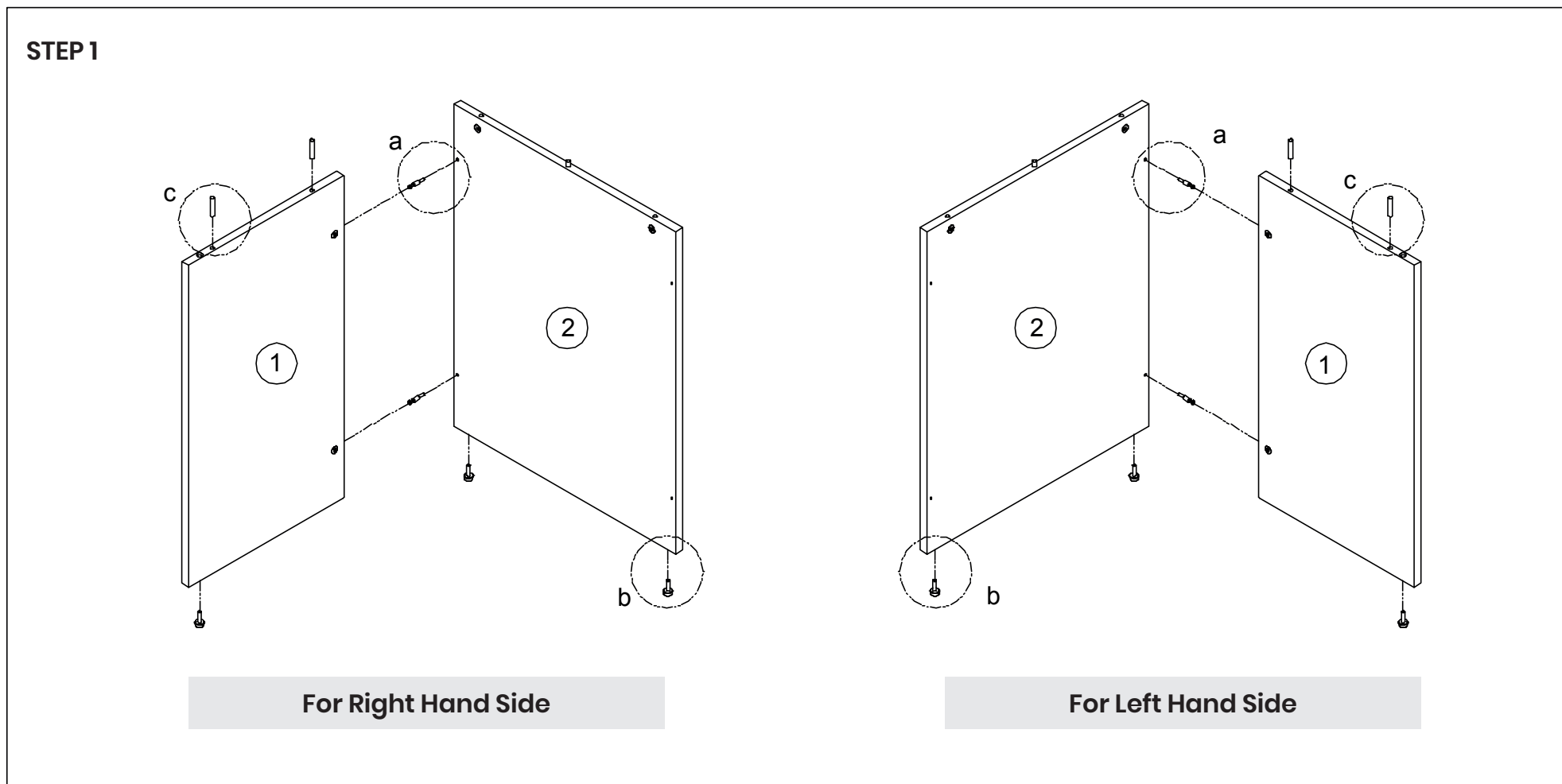
COMPONENTS

- A** Minifix Steel Bolt 10259 (4 pcs)
- B** DECO CAP 16x5mm (4 pcs)
- C** Leveller M6 x 25 x 18mm (3 pcs)
- D** 4 Hole Bracket 80 x 60 x 3 mm (2 pcs)
- E** Rubber Wood Dowel M8 x 40 (2 pcs)
- F** Pan Head Self Tapping Screw #10 x 5/8" (8 pcs)



Uniform Panel L-Shaped Desk

Return assembly:



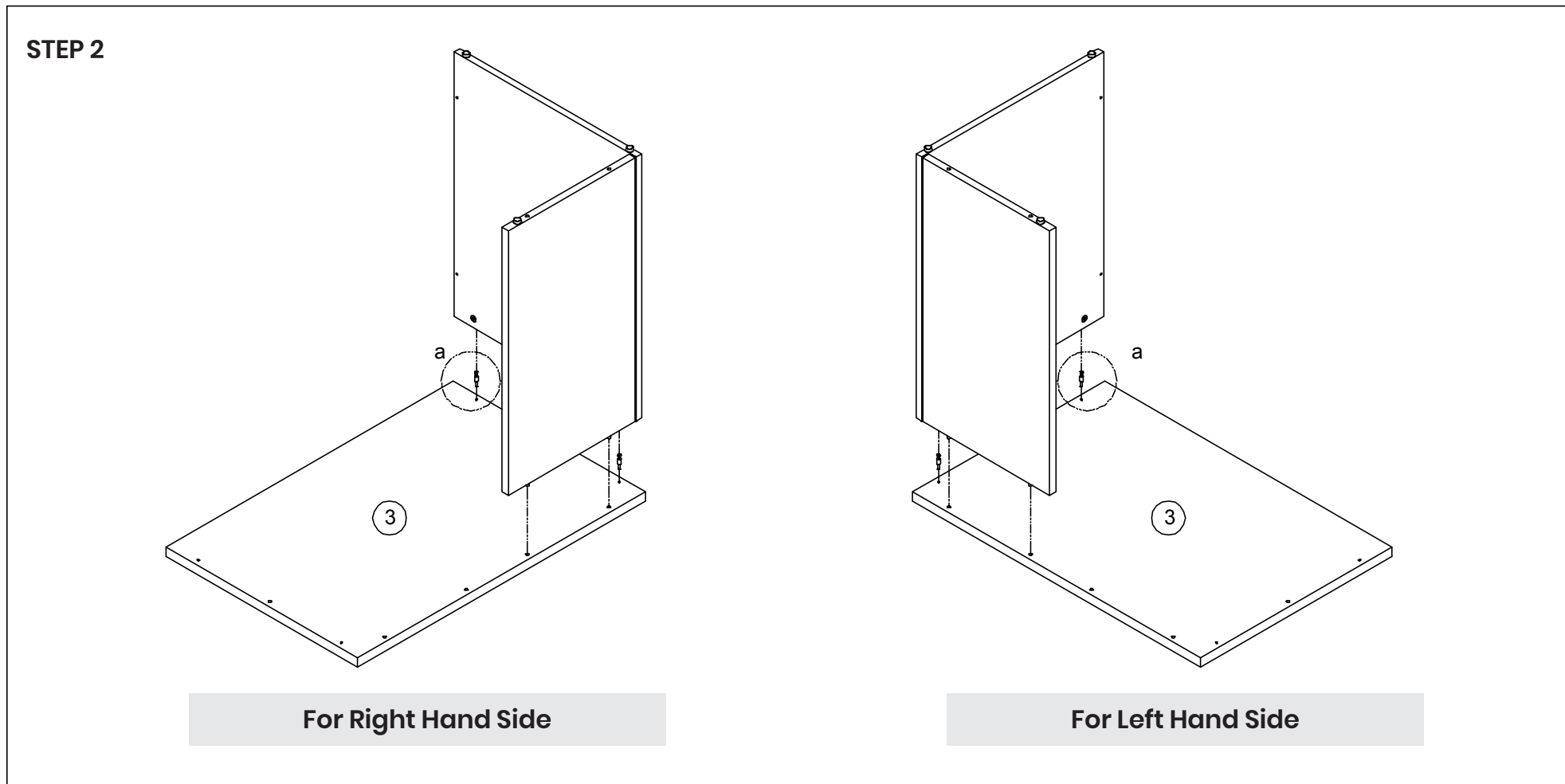
Assemble Part follow sequence number

Need help!

Call us on **1300 527 665**

Uniform Panel L-Shaped Desk

Return assembly:



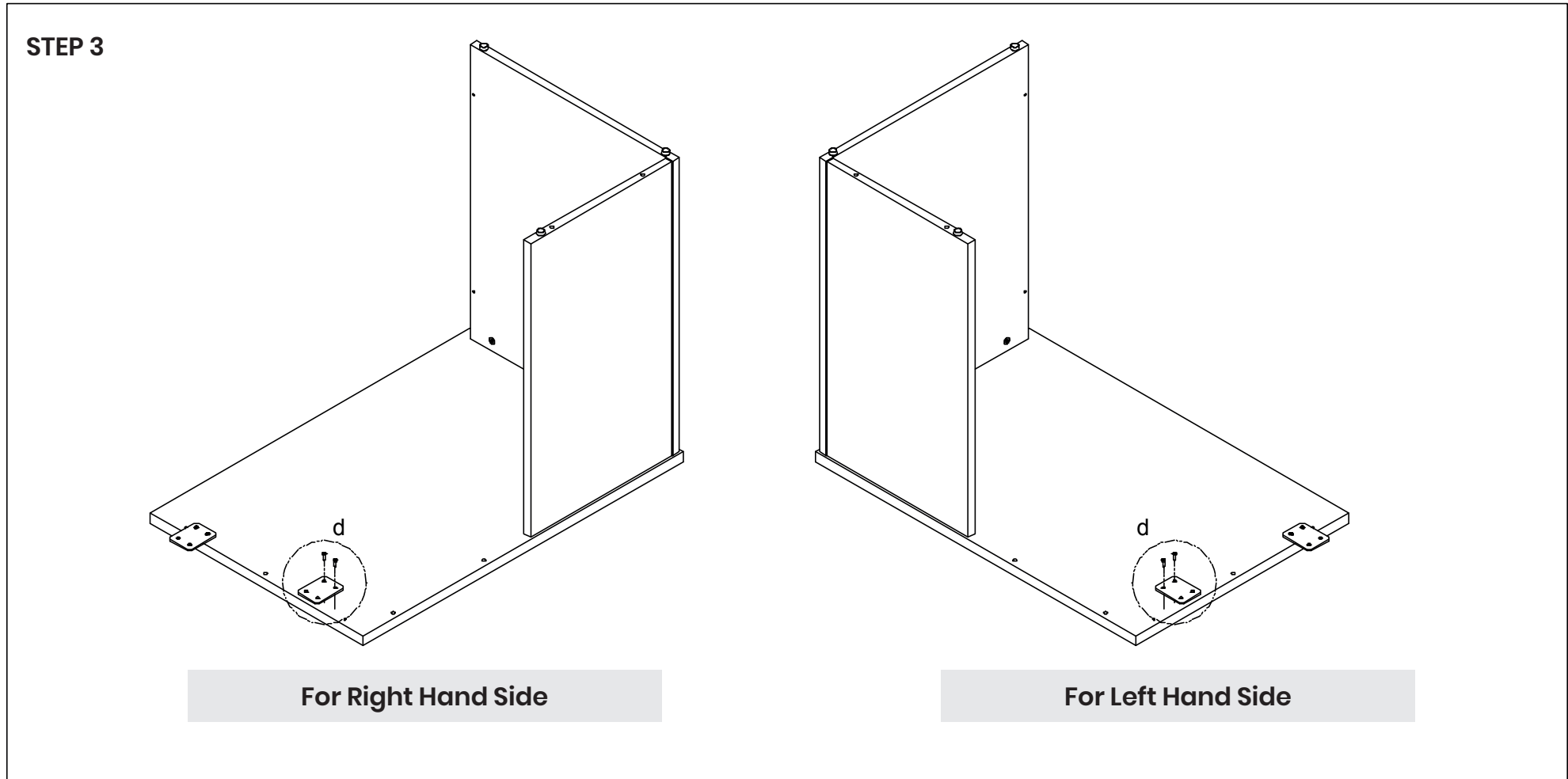
Assemble the assembly at step 1 to Top Panel

Need help!

Call us on **1300 527 665**

Uniform Panel L-Shaped Desk

Return assembly:



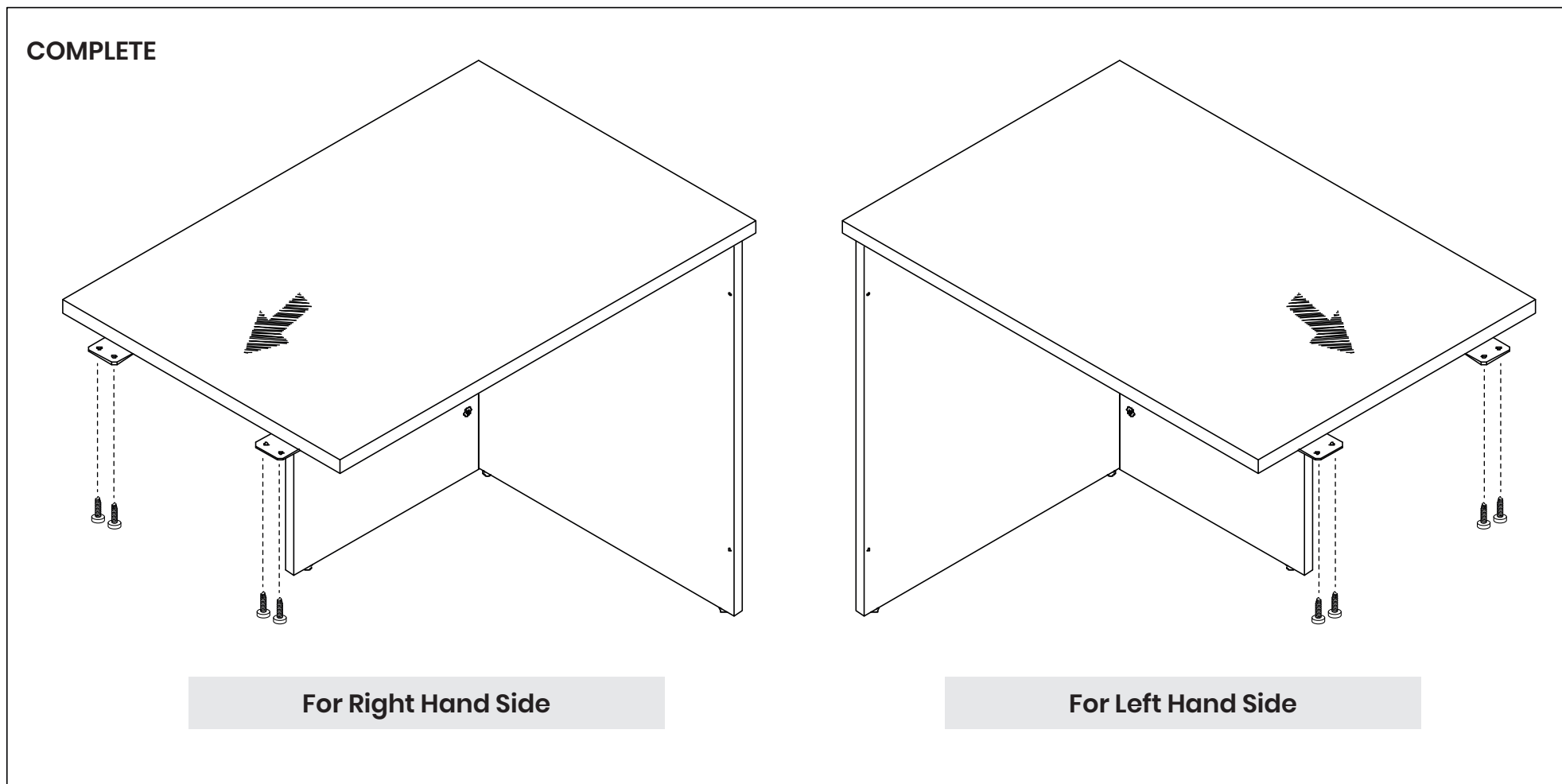
Assemble Part follow sequence number

Need help!

Call us on **1300 527 665**

Uniform Panel L-Shaped Desk

Return assembly:



Need help!

Call us on **1300 527 665**

Uniform Panel L-Shaped Desk

