

ASSEMBLY INSTRUCTIONS

Uniform Panel Desk

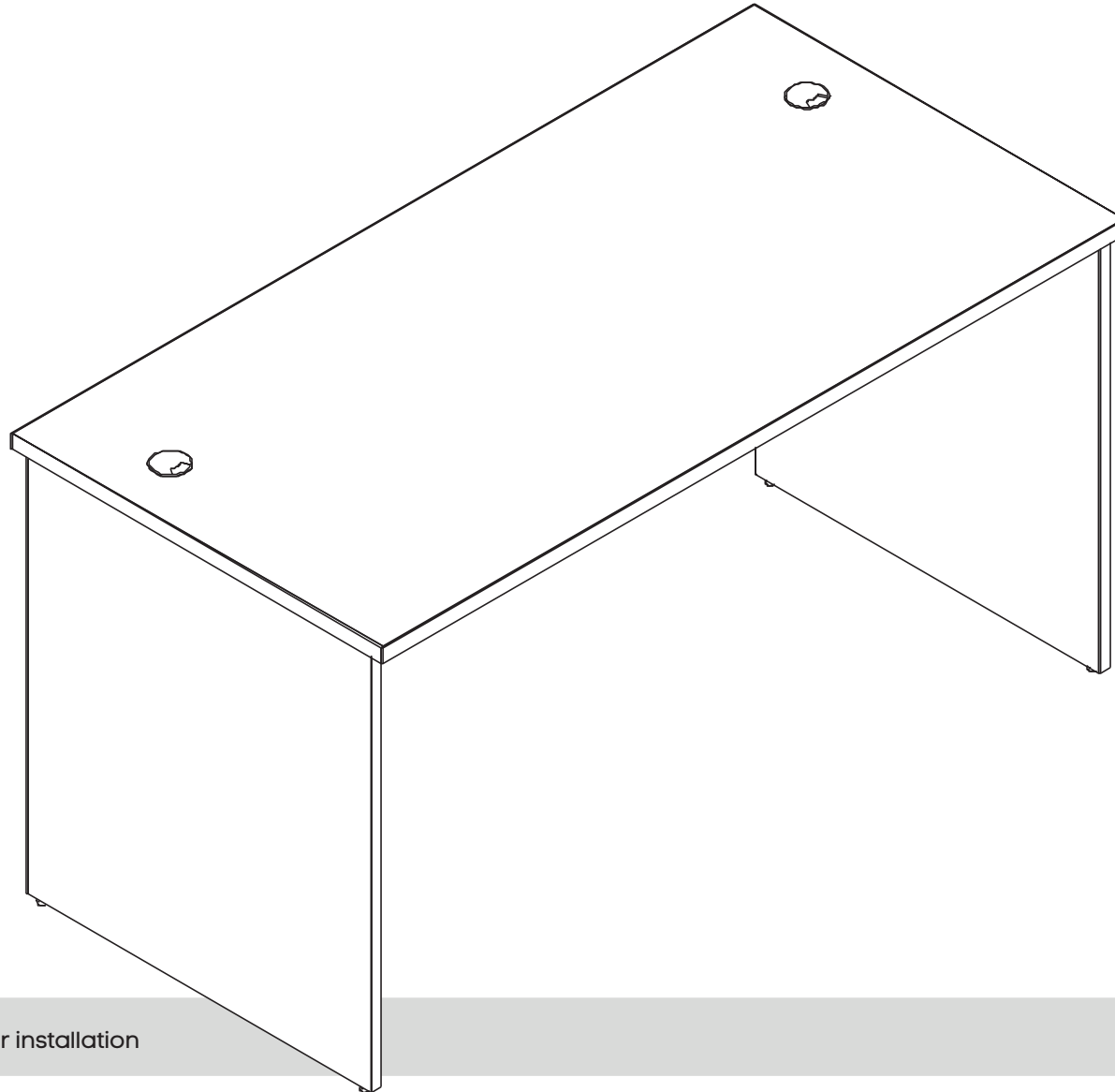
Sizes (mm): 900L x 600D / 1200L x 700D

www.jasonl.com.au

Need help!

Call us on
1300 527 665

jason.l
your office furniture mate



2 persons required for installation

ASSEMBLY INSTRUCTIONS

Uniform Panel Desk

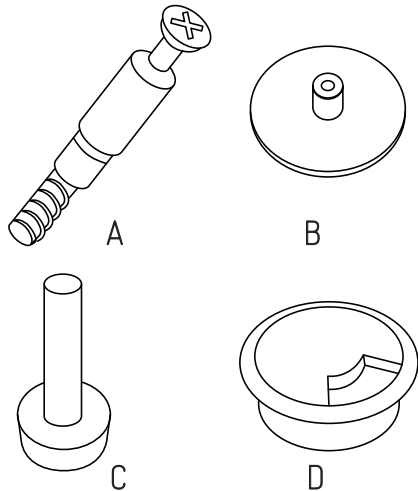
Sizes (mm): 900L x 600D / 1200L x 700D

www.jasonl.com.au

Need help!

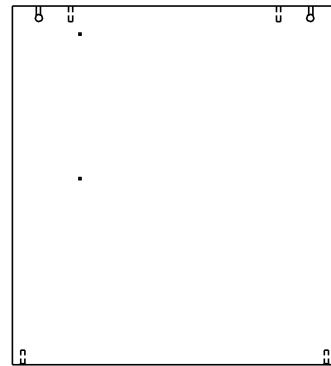
Call us on
1300 527 665

jason.l
your office furniture mate

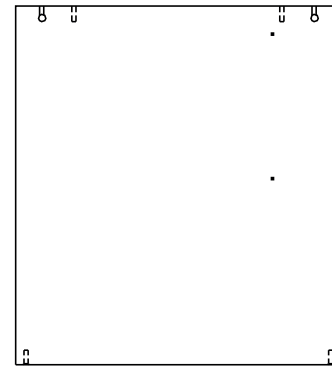


COMPONENTS

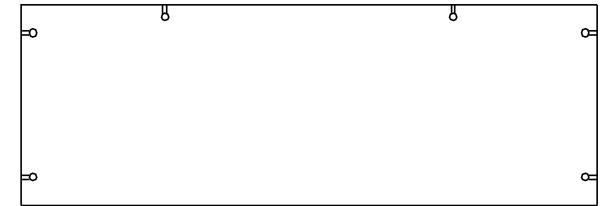
- A Minifix Steel Bolt 10259 (10 pcs)
- B DECO CAP 16x5mm (10 pcs)
- C Leveller M6 x 25 x 18mm (4 pcs)
- D GRO-PLC-RD59 (2 pcs)



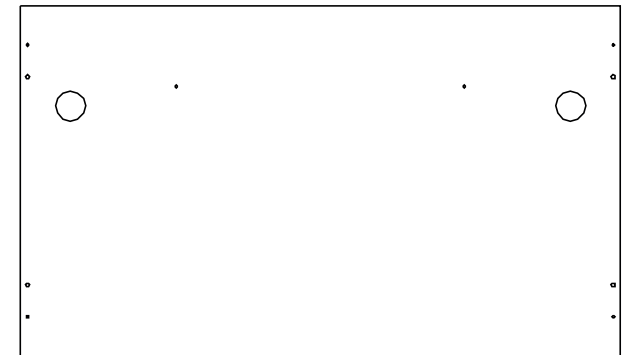
② SIDE PANEL R
Qty: 1 pc



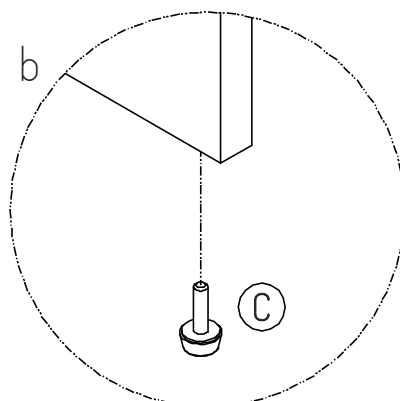
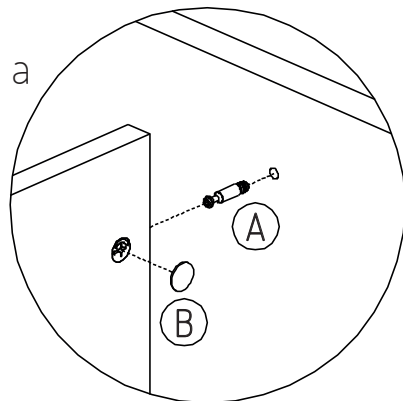
③ SIDE PANEL L
Qty: 1 pc



① FRONT PANEL
Qty: 1 pc



④ TOP PANEL
Qty: 1 pc



ASSEMBLY INSTRUCTIONS

Uniform Panel Desk

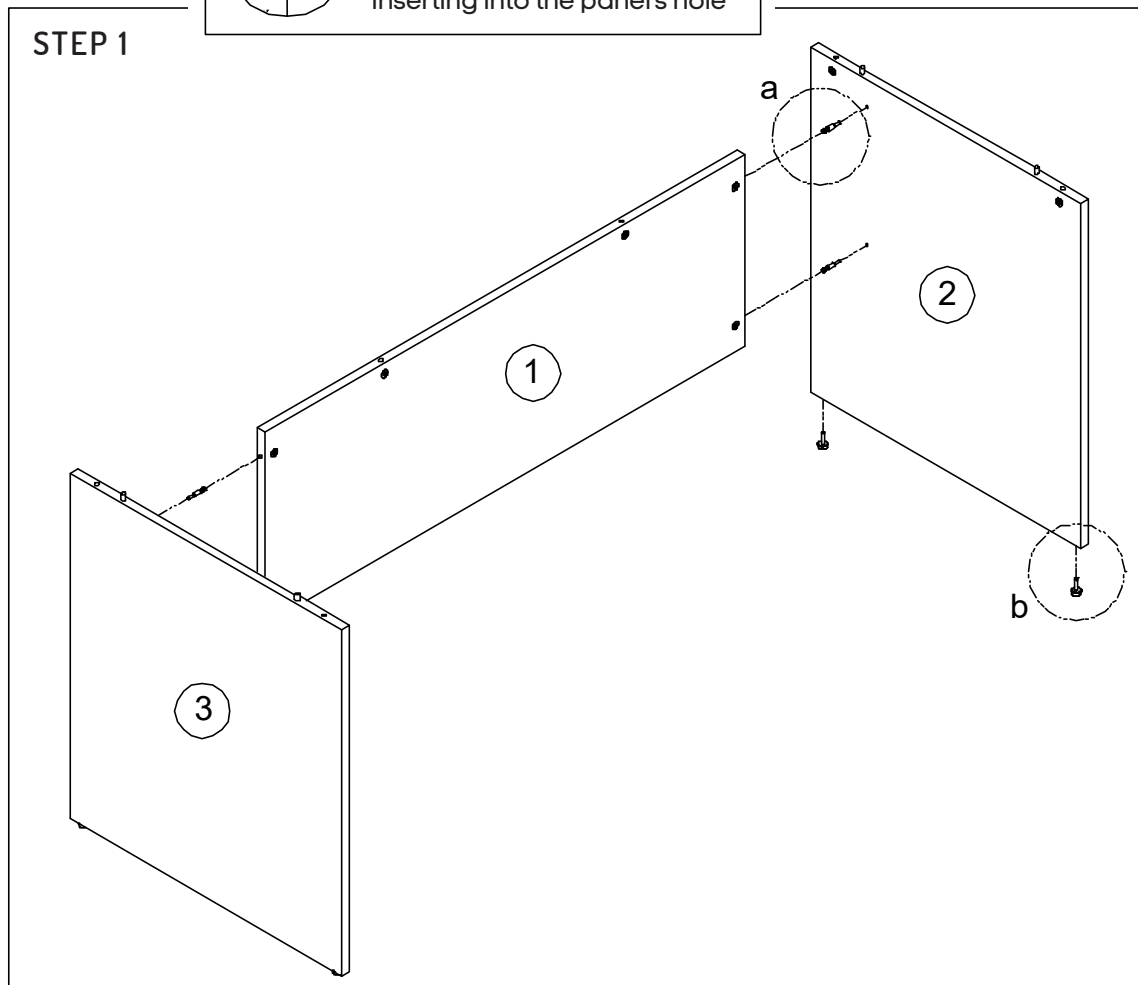
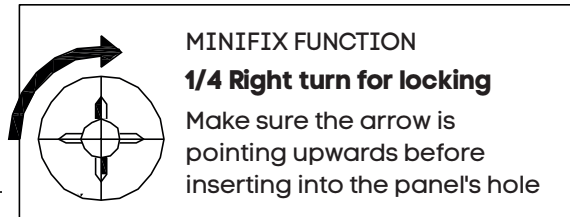
Sizes (mm): 900L x 600D / 1200L x 700D

www.jasonl.com.au

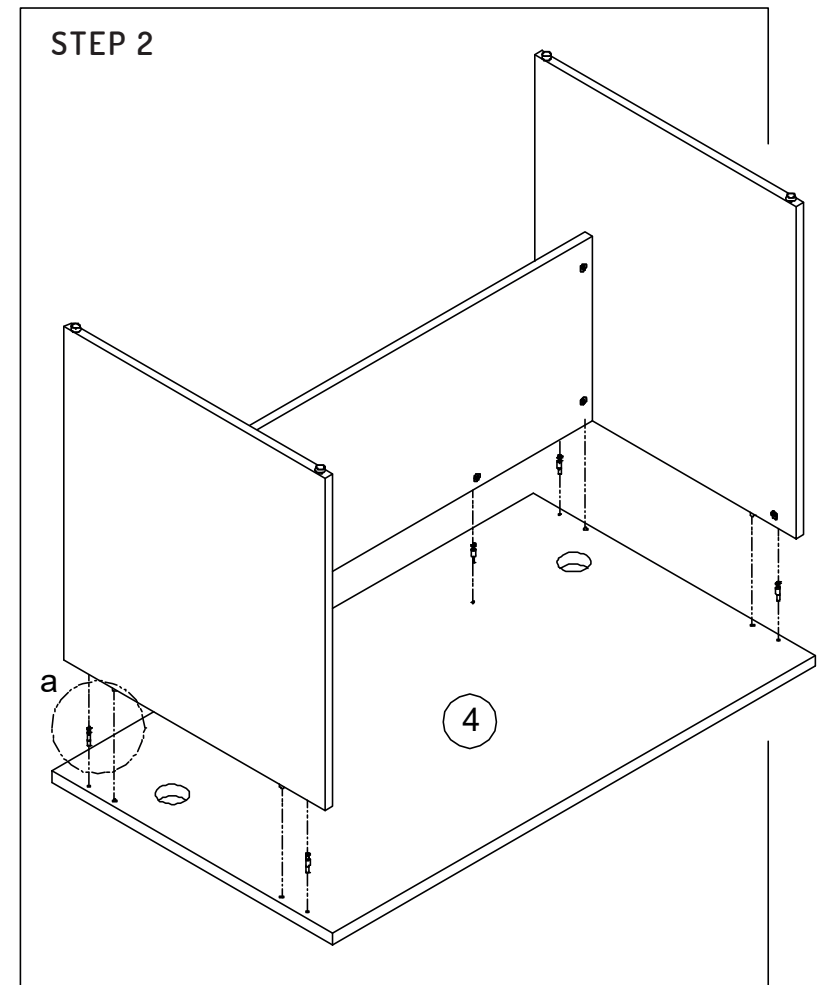
Need help!

Call us on
1300 527 665

jason.l
your office furniture mate



Assemble Part follow sequence number



Assemble the assembly at step 1 to Top Panel

ASSEMBLY INSTRUCTIONS

Uniform Panel Desk

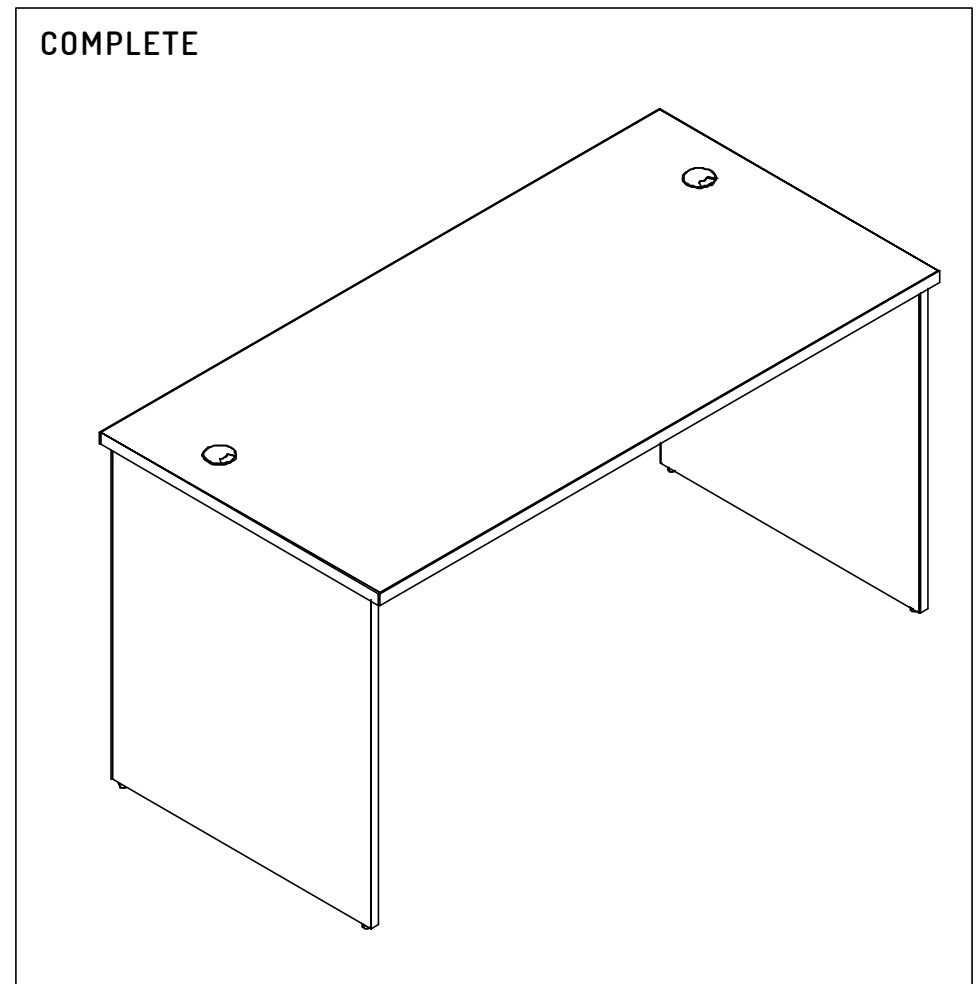
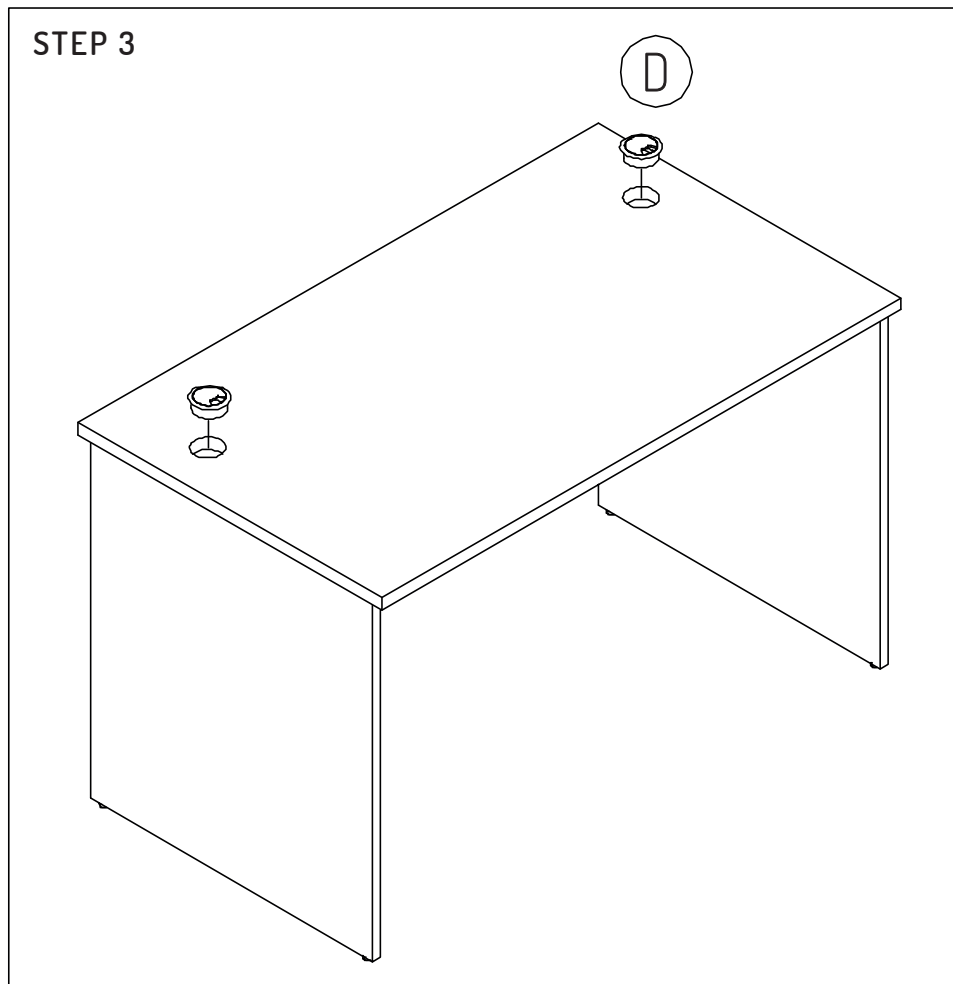
Sizes (mm): 900L x 600D / 1200L x 700D

www.jasonl.com.au

Need help!

Call us on
1300 527 665

jason.l
your office furniture mate



Assemble plastic grommet to table top