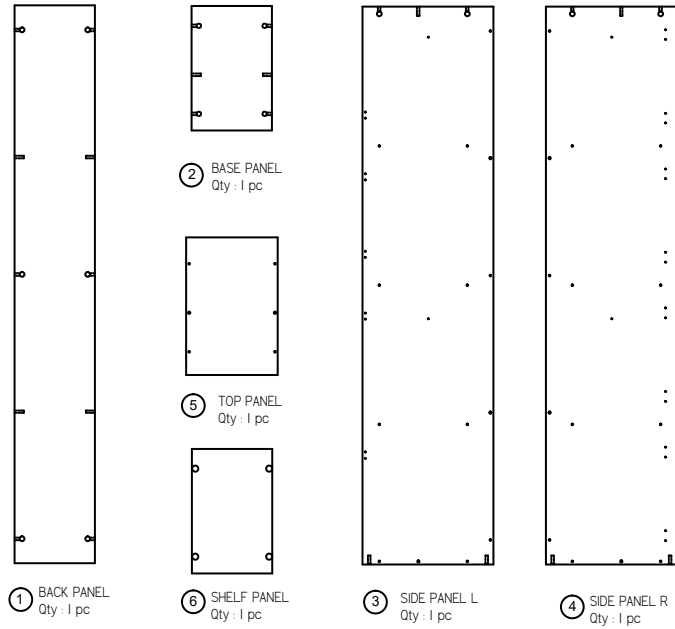


Uniform locker 4 Tier door

Need help!

Call us on
1300 527 665

COMPONENTS: PG-9070

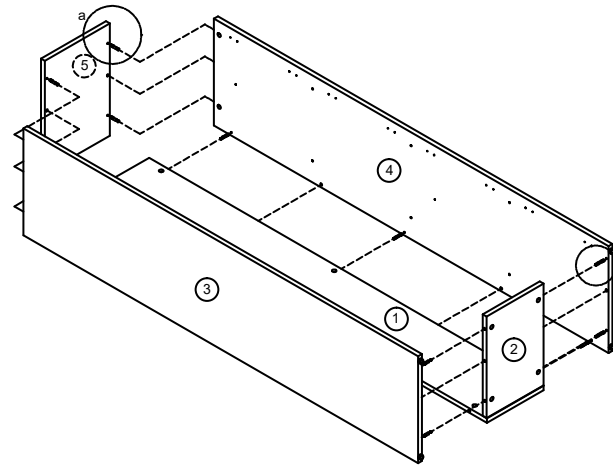


HARDWARE: PG-9070

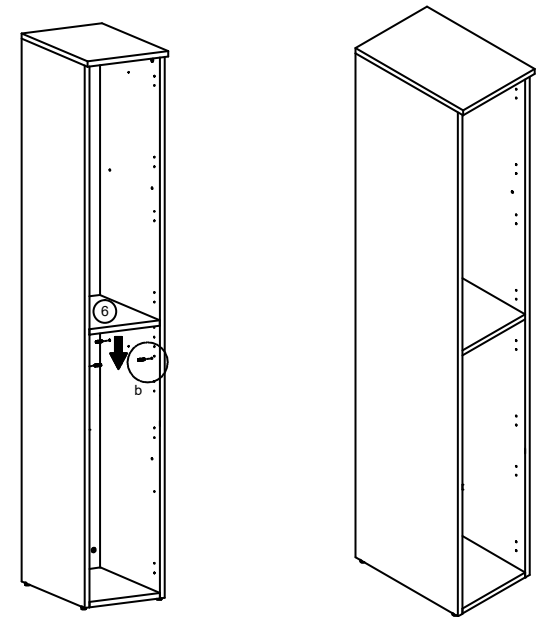


ASSEMBLY INSTRUCTION

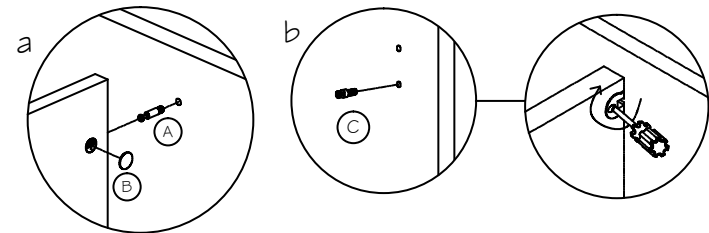
STEP 1 Assemble carcass follow sequence number



STEP 2 Insert Minifix Rafix Bolt into Boring Hole



COMPLETE



Two people are required to assemble and move this model.



Function of Klix cam
1/4 Right turn for

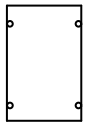
Locking: Make sure the arrow is pointing upwards before inserting into the panel's hole.

Uniform locker 4 Tier door

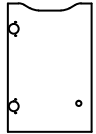
Need help!

Call us on
1300 527 665

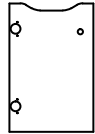
COMPONENTS: PG-9074



① SHELF PANEL
Qty : 2 pcs



② DOOR PANEL A
Qty : 1 pc



③ DOOR PANEL B
Qty : 3 pcs

HARDWARE: PG-9074



A
5/8 Soft Close Door Hinge c/w
Mounting Plate with Screw
8 pcs



B
Rim Lock CL2
4sets



C
CSK Tapping
Screw #4 x 3/4"
16 pcs



D
L Huwil Bracket
34 x 13 x 10mm
4 pcs



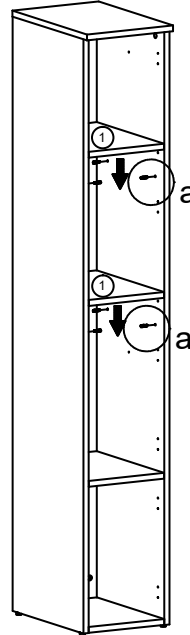
E
Pan Head Self Tapping
Screw #4 x 1/2"
8 pcs



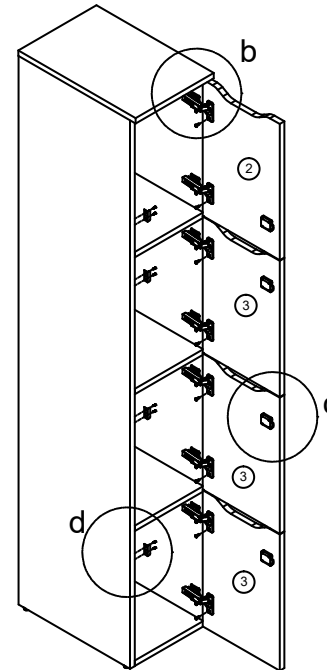
F
Minifix Rafix Bolt
263-20-847
8 pcs

ASSEMBLY INSTRUCTION

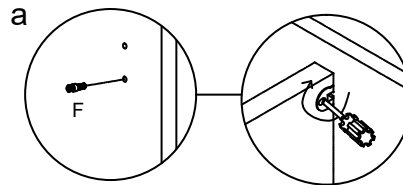
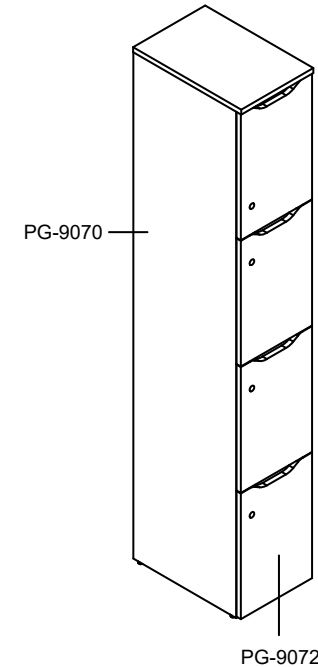
STEP 1 Assemble carcass follow
sequence number



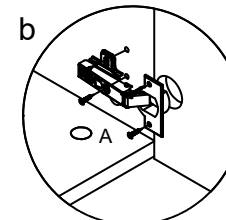
STEP 2 Assemble door panel



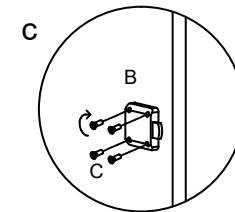
COMPLETE



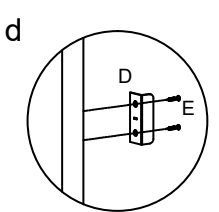
1. Insert Minifix Rafix Bolt
into Boring Hole



2. Align Hinge based on
Marking Hole
3. Mount Hinge into
Boring Hole
4. Screw



5. Assemble Lock



6. Place L Huwil
Bracket and Screw it.