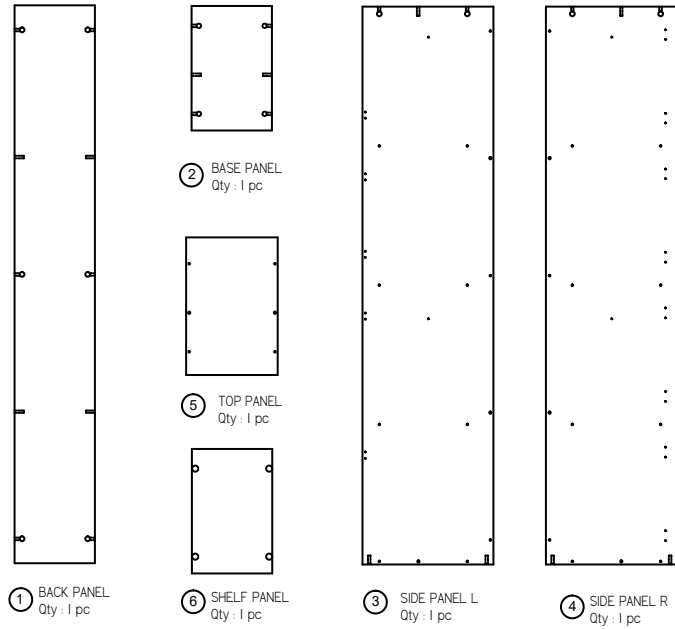


Uniform locker 2 Tier door

Need help!

Call us on
1300 527 665

COMPONENTS: PG-9070

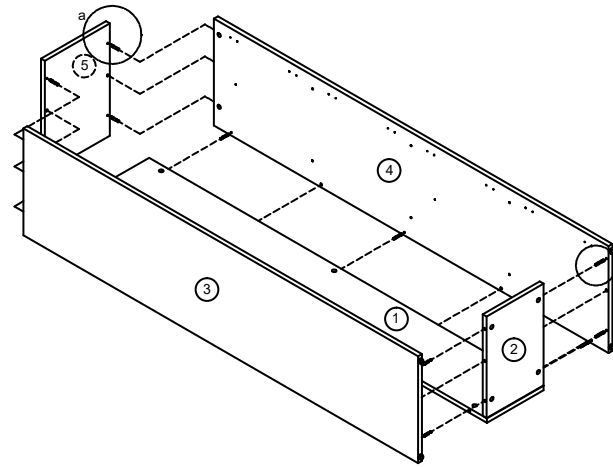


HARDWARE: PG-9070

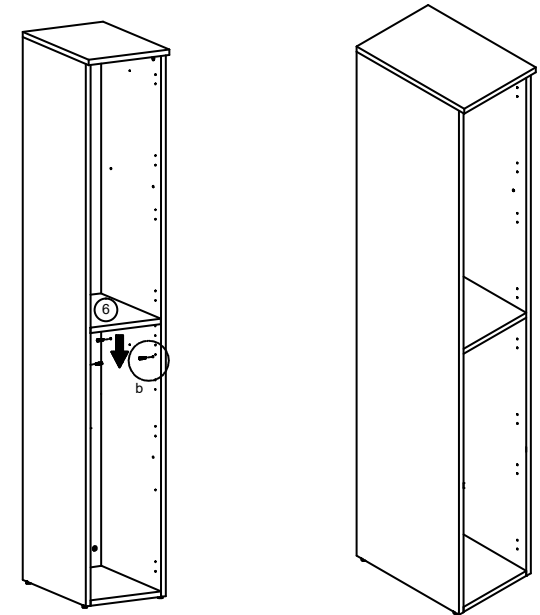


ASSEMBLY INSTRUCTION

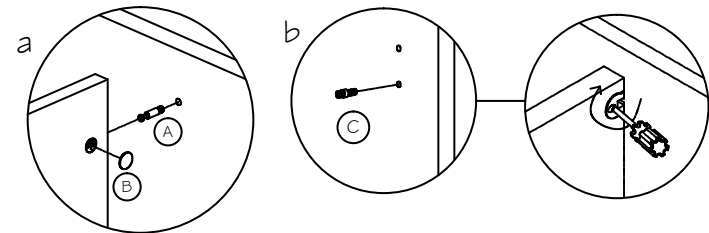
STEP 1 Assemble carcass follow sequence number



STEP 2 Insert Minifix Rafix Bolt into Boring Hole



COMPLETE



Two people are required to assemble and move this model.



Function of Klix cam
1/4 Right turn for

Locking: Make sure the arrow is pointing upwards before inserting into the panel's hole.

Uniform locker 2 Tier door

Need help!

Call us on
1300 527 665

COMPONENTS: PG-9072



① DOOR PANEL A
Qty : 1 pc



② DOOR PANEL B
Qty : 1 pc

HARDWARE: PG-9072



A
5/8 Soft Close Door Hinge c/w
Mounting Plate with Screw
4 pcs



B
Rim Lock CL2
2 sets



C
CSK Tapping
Screw #4 x 3/4"
8 pcs



D
L Huwil Bracket
34 x 13 x 10mm
2 pcs



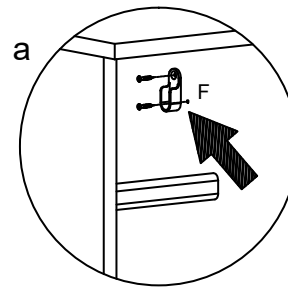
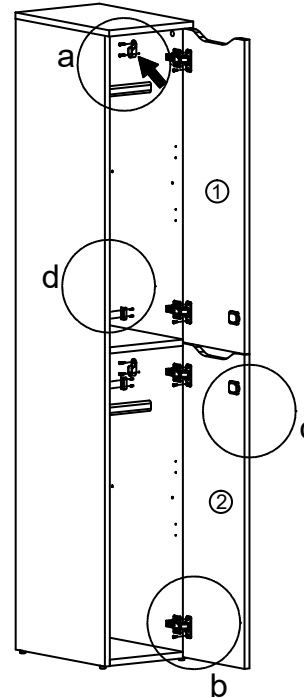
E
Pan Head Self Tapping
Screw #4 x 1/2"
4 pcs



F
Wardrobe Hanging Rod-2 PCS
Wardrobe Hanging Rod Holder -4 PCS
CSK Tapping Screw #8 x 3/8"- 8PCS

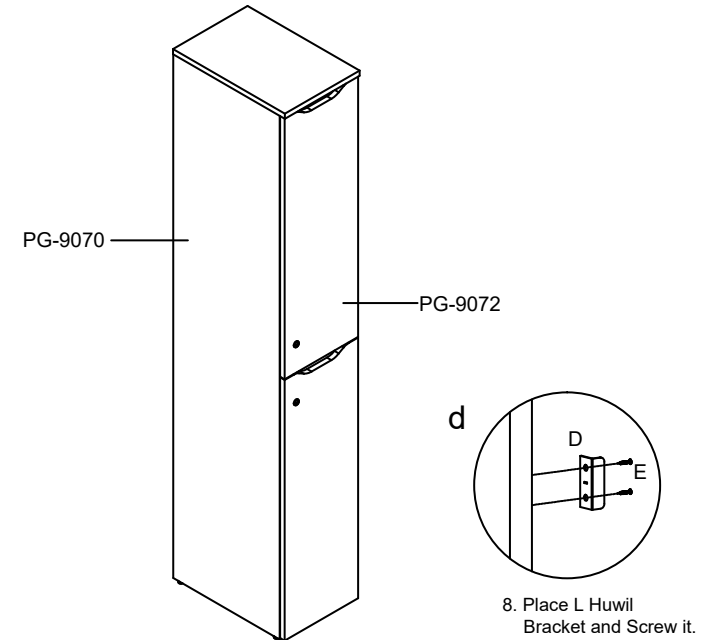
ASSEMBLY INSTRUCTION

STEP 1

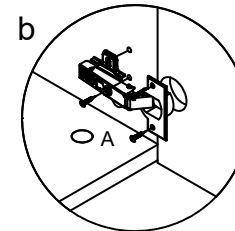


1. Align Wardrobe Hanging Rod Holder with Inner 16 mm based on Marking Hole
2. Screw
3. Place the wardrobe hanging rod to hanging rod holder

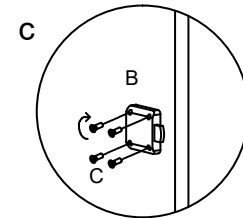
COMPLETE



8. Place L Huwil Bracket and Screw it.



4. Align Hinge based on Marking Hole
5. Mount Hinge into Boring Hole
6. Screw



7. Assemble Lock