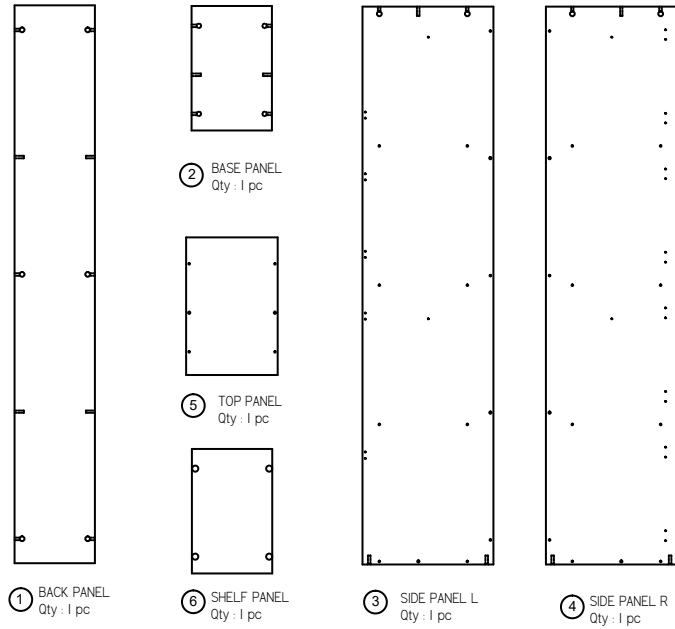


Uniform locker Single door

Need help!

Call us on
1300 527 665

COMPONENTS: PG-9070

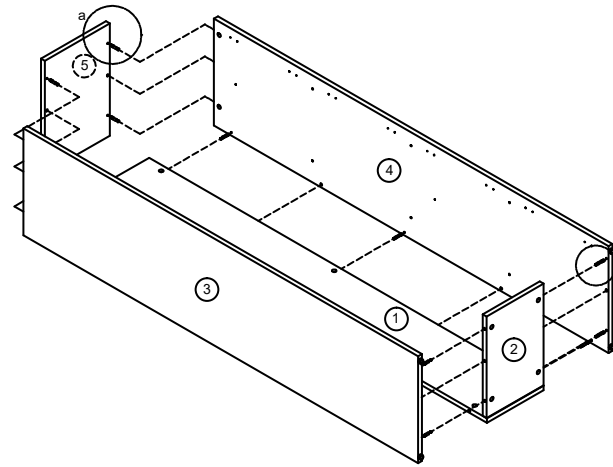


HARDWARE: PG-9070

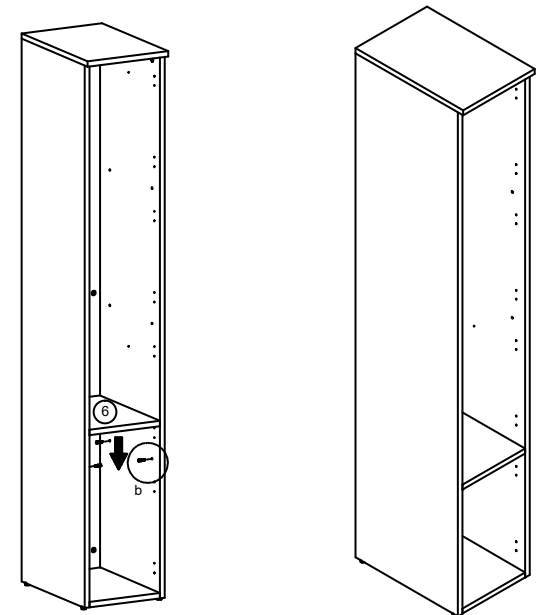


ASSEMBLY INSTRUCTION

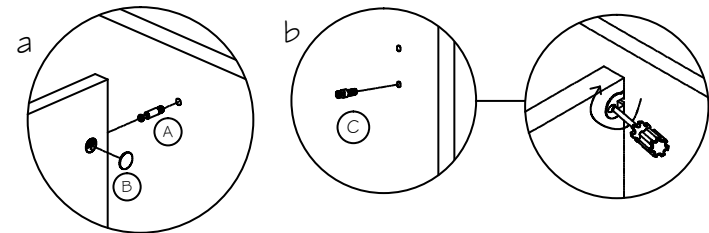
STEP 1 Assemble carcass follow sequence number



STEP 2 Insert Minifix Rafix Bolt into Boring Hole



COMPLETE



Two people are required to assemble and move this model.



Function of Klix cam
1/4 Right turn for

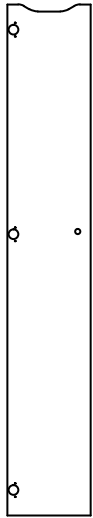
Locking: Make sure the arrow is pointing upwards before inserting into the panel's hole.

Uniform locker Single door

Need help!

Call us on
1300 527 665

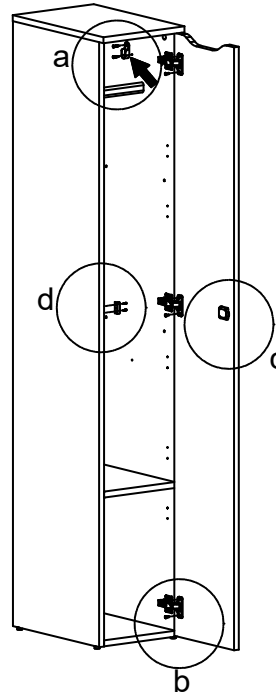
COMPONENTS: PG-9071



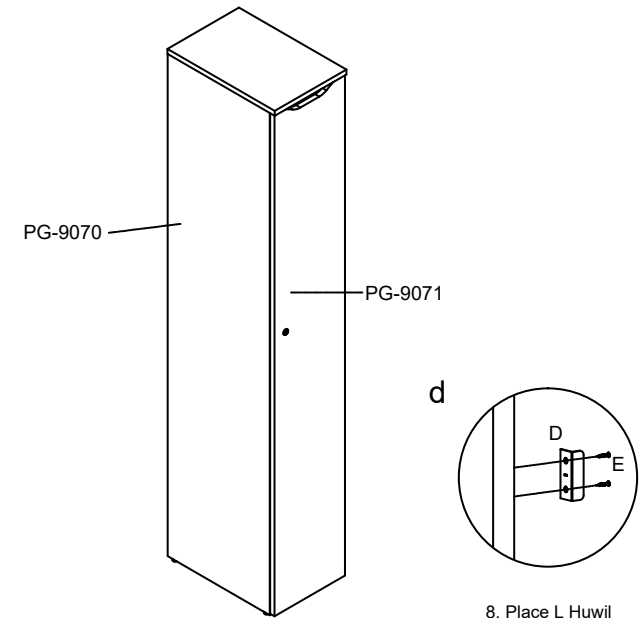
1 DOOR PANEL
Qty : 1 pc

ASSEMBLY INSTRUCTION

STEP 1



COMPLETE



8. Place L Huwil
Bracket and Screw it.

HARDWARE: PG-9071



A
5/8 Soft Close Door Hinge c/w
Mounting Plate with Screw
3 pcs



B
Rim Lock CL2
1 set



C
CSK Tapping
Screw #4 x 3/4"
4 pcs



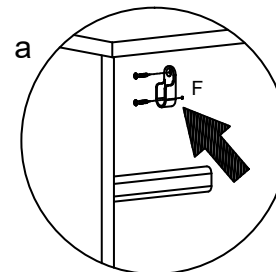
D
L Huwil Bracket
34 x 13 x 10mm
1 pc



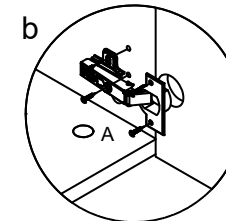
E
Pan Head Self Tapping
Screw #4 x 1/2"
2 pcs



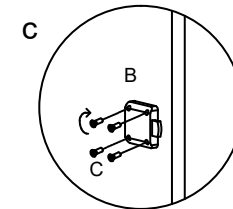
F
Wardrobe Hanging Rod-1 PC
Wardrobe Hanging Rod Holder -2 PCS
CSK Tapping Screw #8 x 3/8"- 4PCS



1. Align Wardrobe Hanging Rod
Holder with Inner 16 mm
based on Marking Hole
2. Screw
3. Place the wardrobe hanging
rod to hanging rod holder



4. Align Hinge based on
Marking Hole
5. Mount Hinge into
Boring Hole
6. Screw



7. Assemble Lock