

ASSEMBLY INSTRUCTIONS

Uniform 2 Medium Door Storage Cupboard

Size (mm): 800W x 350D x 1870H

www.jasonl.com.au

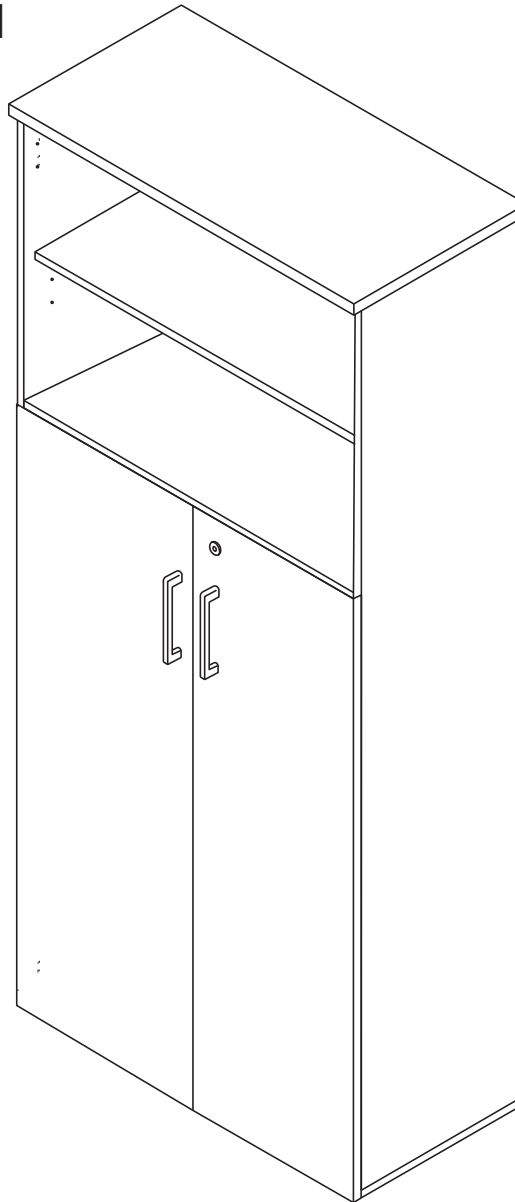
Need help!

Call us on
1300 527 665

jason.l
your office furniture mate



VEM-OS80-187T + VEM-DP80-117T



ASSEMBLY INSTRUCTIONS

Uniform 2 Medium Door Storage Cupboard

Size (mm): 800W x 350D x 1870H

www.jasonl.com.au

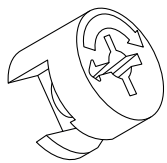
Need help!

Call us on
1300 527 665

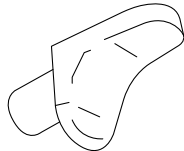
jason.l
your office furniture mate



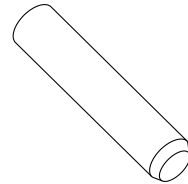
VEM-OS80-187T + VEM-DP80-117T



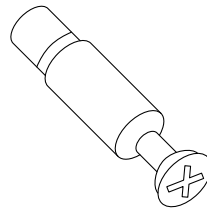
A



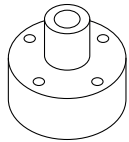
B



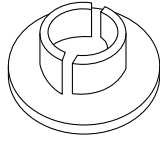
C



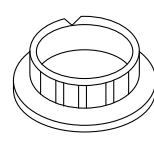
D



E



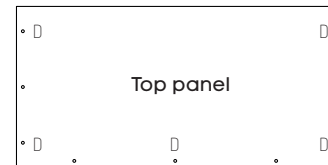
F



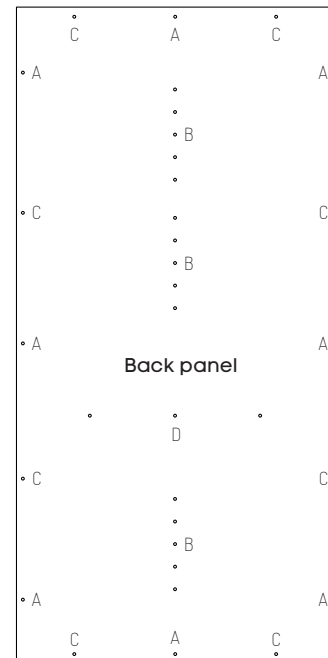
G

COMPONENTS

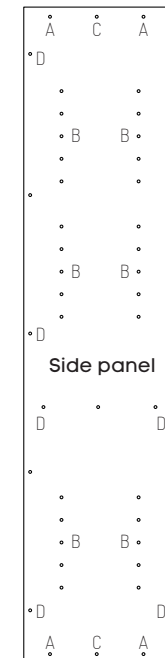
- A Minifix Housing x21
- B Collar Stud x15
- C Rubber Wood Dowel M8 x40mm x21
- D Minifix Connecting Bolt x21
- E Adjustable Leveller N2880 x5
- F Leveller N2880 Cap x5
- G Deco Cap x5
- H Top Panel x1
- I Back Panel x1
- J Side Panel x2
- K Base Panel x1
- L Shelf Panel x3
- M Fix Shelf x1
- N Door Panel x2
- O Safety hook*



Top panel



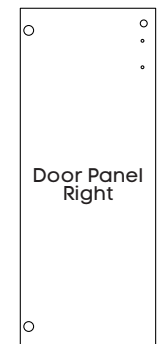
Back panel



Side panel



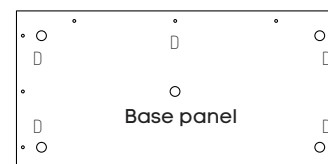
Door Panel
Left



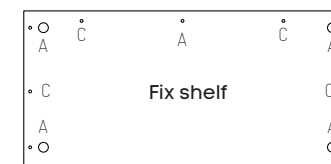
Door Panel
Right



Shelf panel



Base panel



Fix shelf

ASSEMBLY INSTRUCTIONS

Uniform 2 Medium Door Storage Cupboard

Size (mm): 800W x 350D x 1870H

www.jasonl.com.au

Need help!

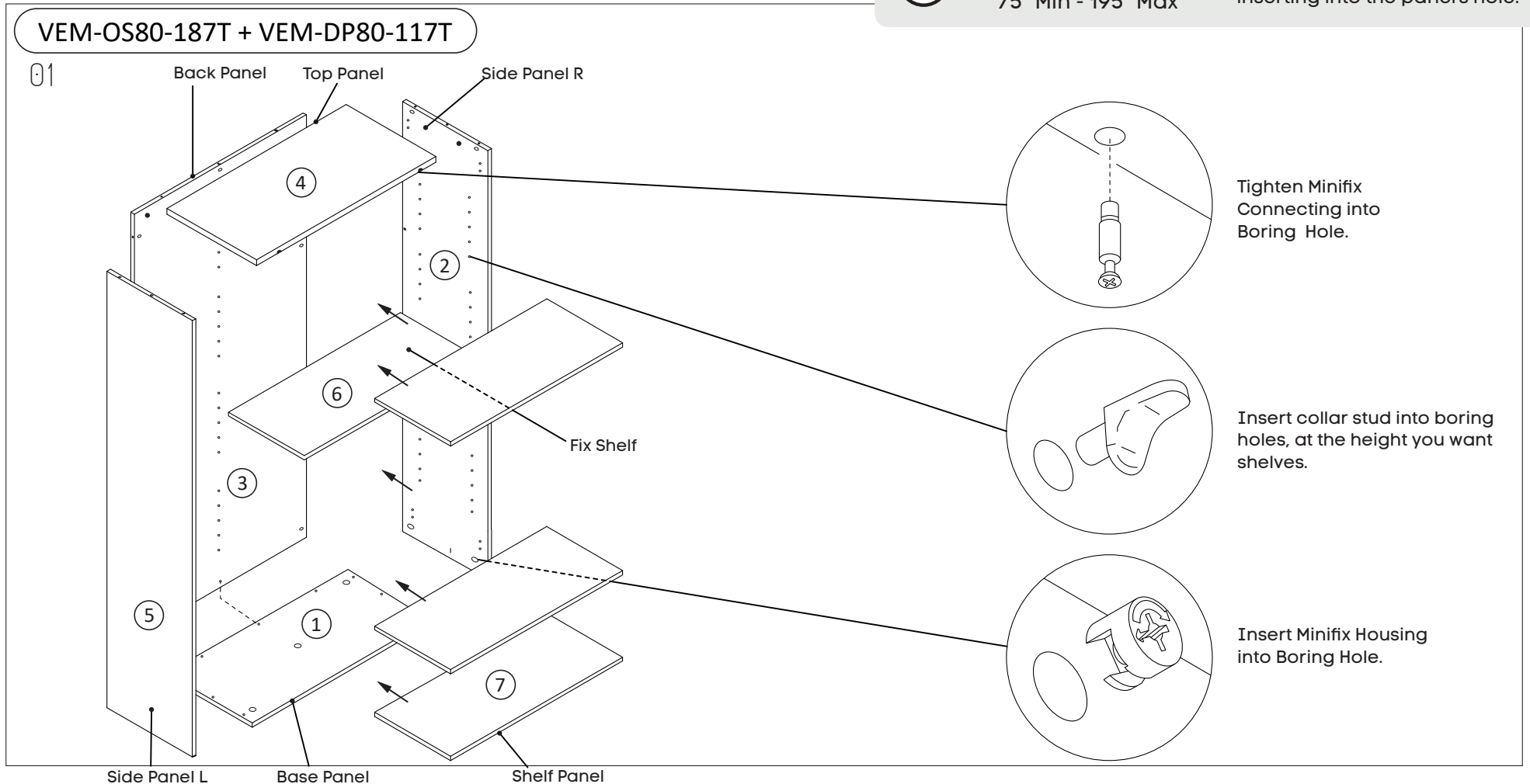
Call us on
1300 527 665

jason.l
your office furniture mate



Function of Klux Cam
Turn for locking
75° Min - 195° Max

Make sure the arrow is pointing upwards before inserting into the panel's hole.



Assemble all panels in the following order.

ASSEMBLY INSTRUCTIONS

Uniform 2 Medium Door Storage Cupboard

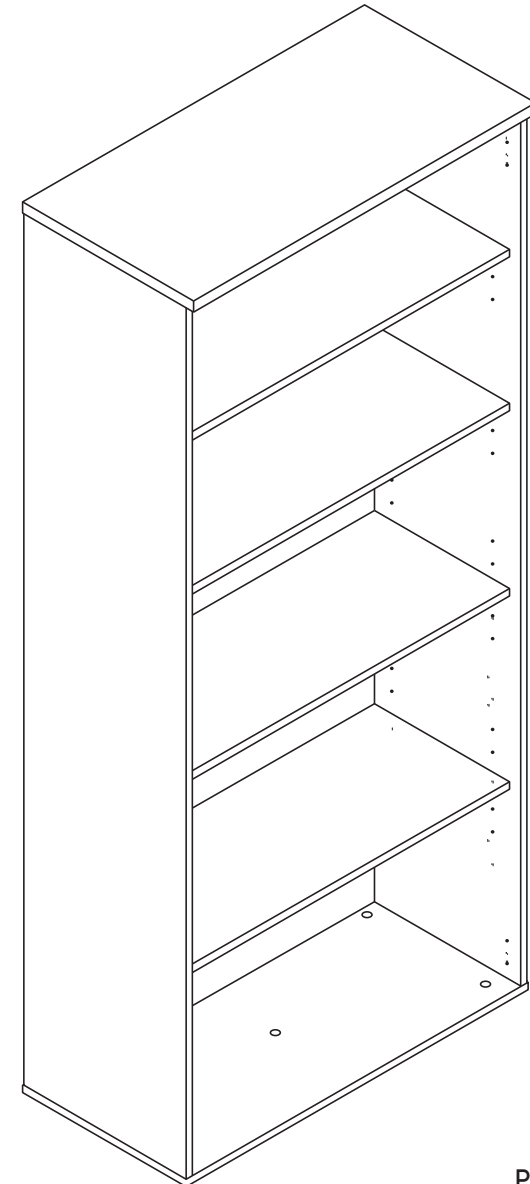
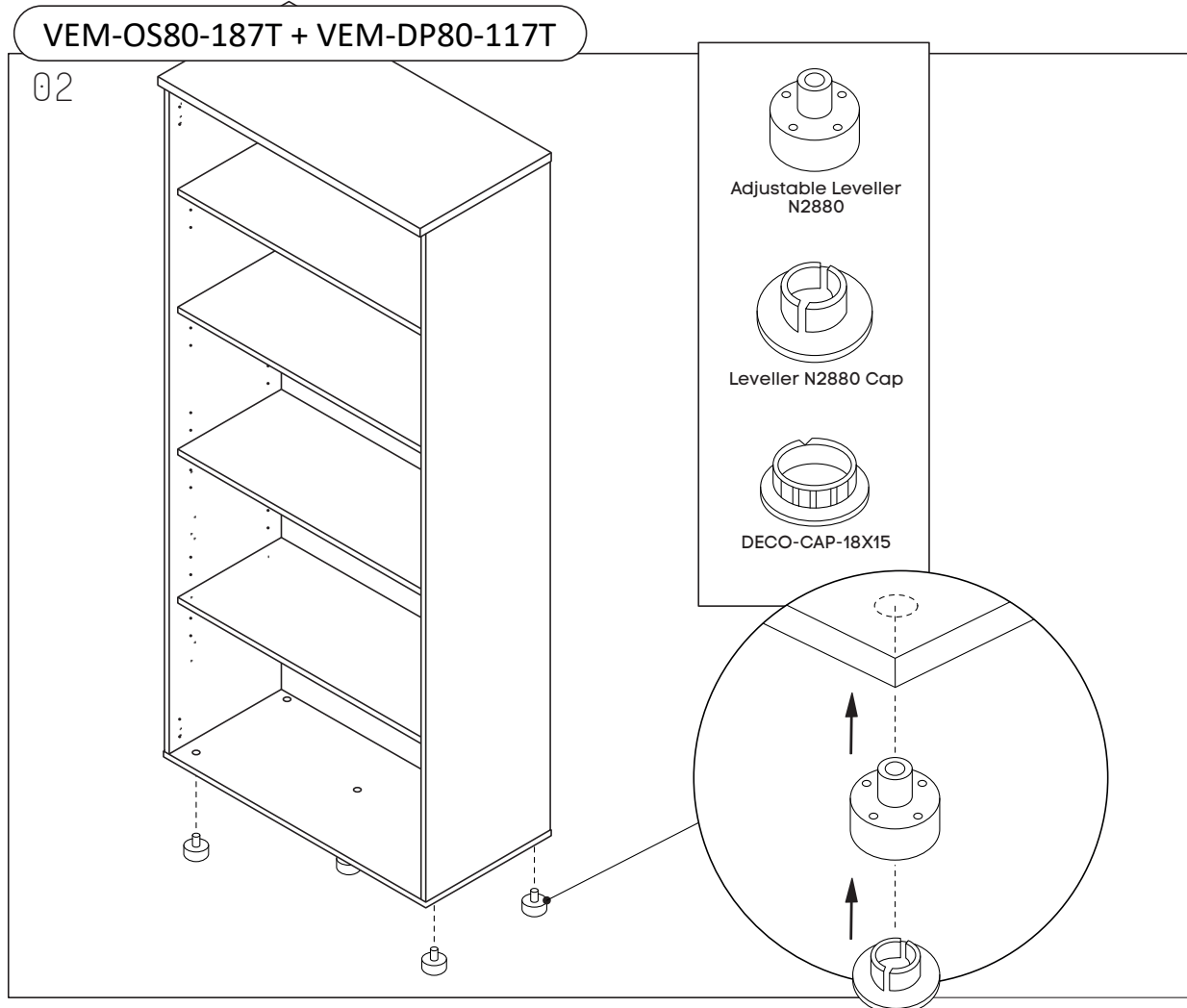
Size (mm): 800W x 350D x 1870H

www.jasonl.com.au

Need help!

Call us on
1300 527 665

jason.l
your office furniture mate



Tighten leveller into boring hole and screw the cap.
Use DECO-CAP-18X15 to seal holes on base panel.

ASSEMBLY INSTRUCTIONS

Uniform 2 Medium Door Storage Cupboard

Size (mm): 800W x 350D x 1870H

www.jasonl.com.au

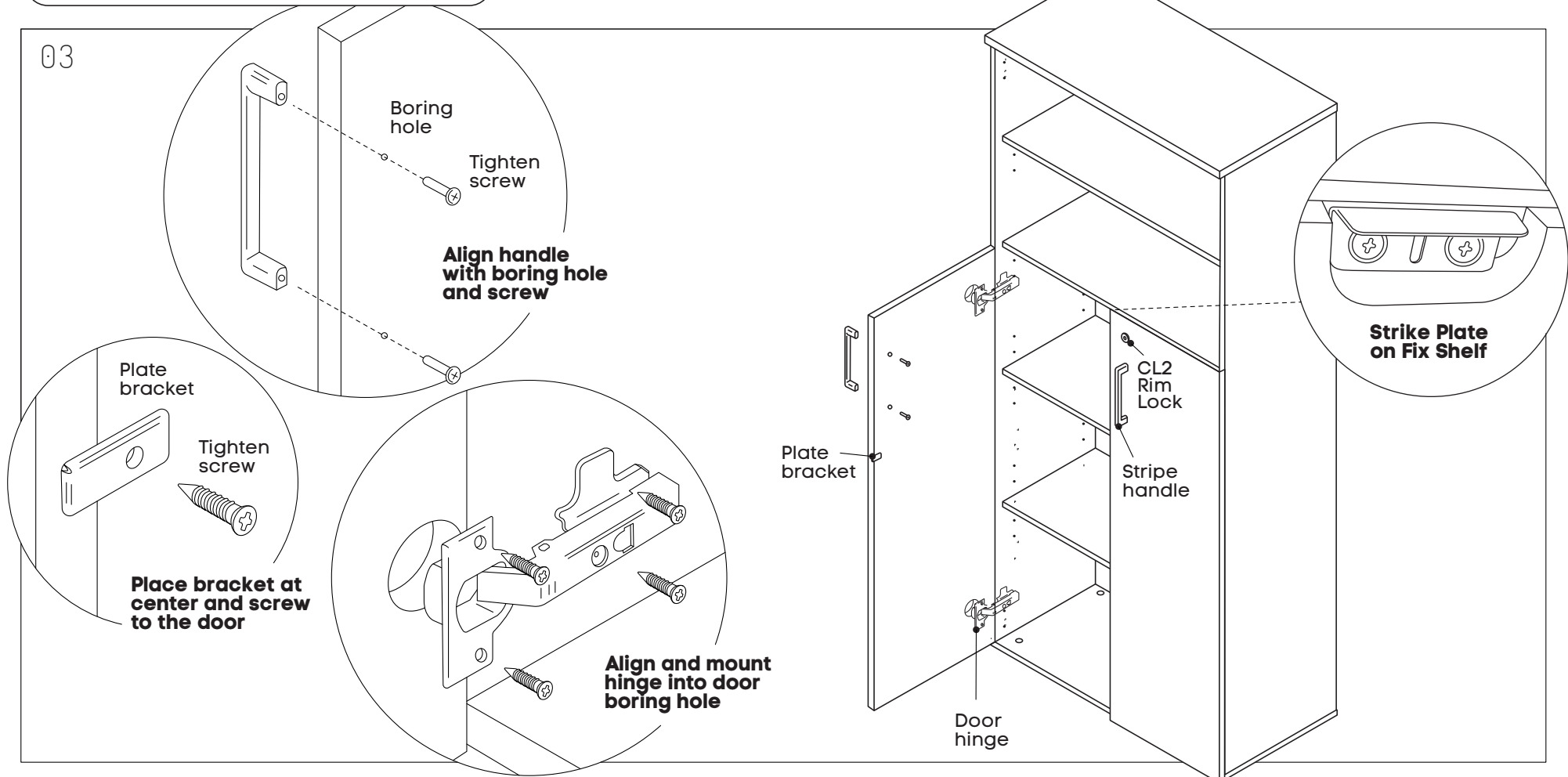
Need help!

Call us on
1300 527 665

jason.l
your office furniture mate



VEM-OS80-187T + VEM-DP80-117T



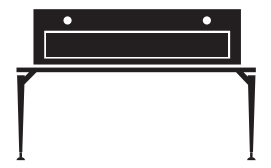
Tighten leveller into boring hole and screw the cap.
Use DECO-CAP-18X15 to seal holes on base panel.

ASSEMBLY INSTRUCTIONS

If you have purchased storage units that are 1600mm or 2400mm wide

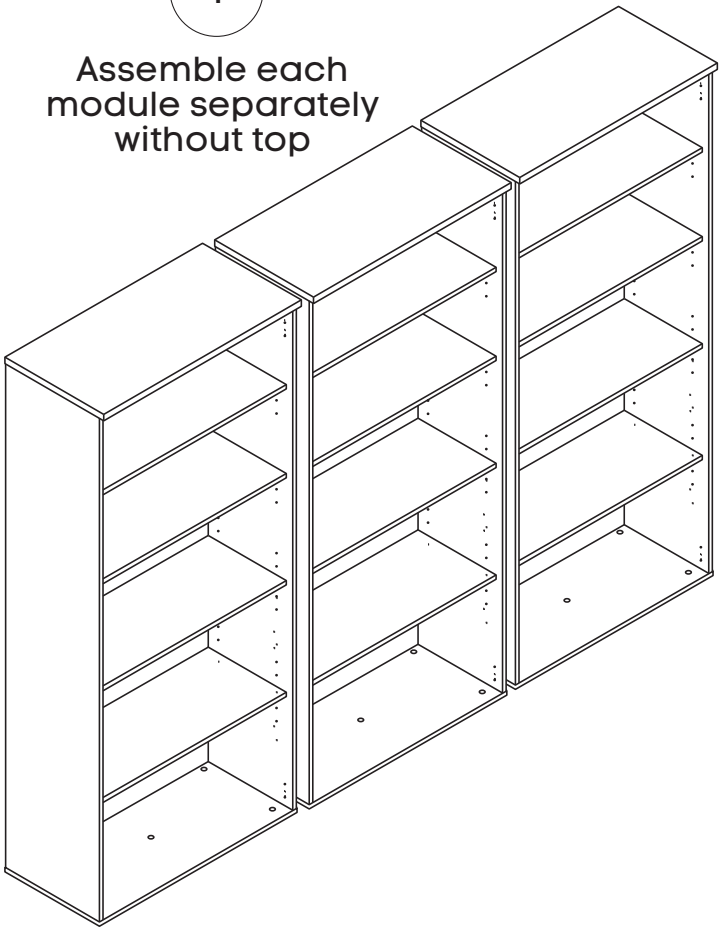
www.jasonl.com.au
Need help!
Call us on
1300 527 665

jason.l
your office furniture mate



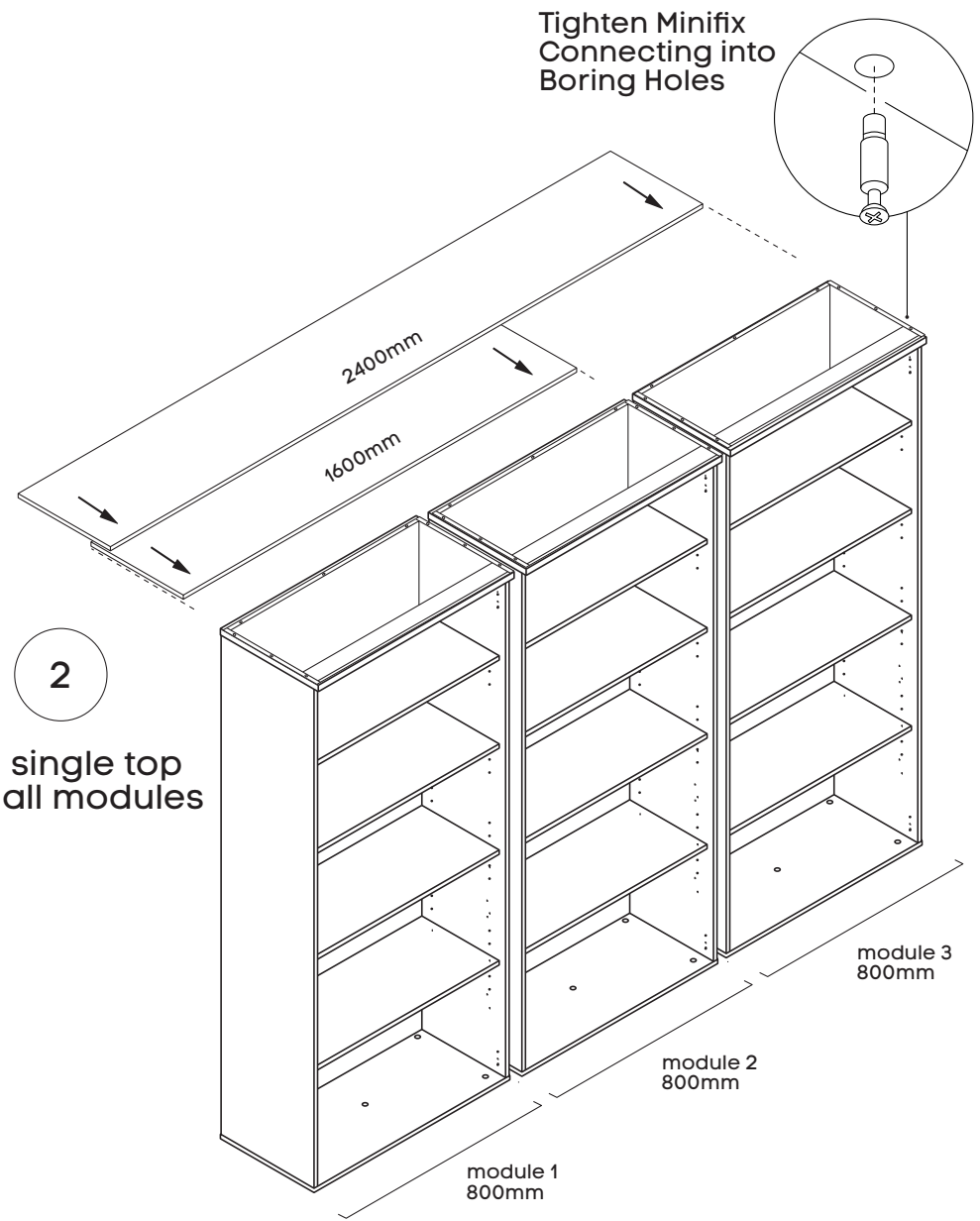
1

Assemble each module separately without top



2

Add single top over all modules



Tighten Minifix Connecting into Boring Holes

module 3
800mm

module 2
800mm

module 1
800mm

ASSEMBLY INSTRUCTIONS

Uniform 2 Medium Door Storage Cupboard

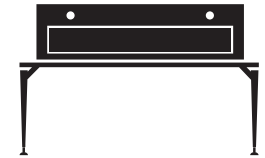
Size (mm): 800W x 350D x 1870H

www.jasonl.com.au

Need help!

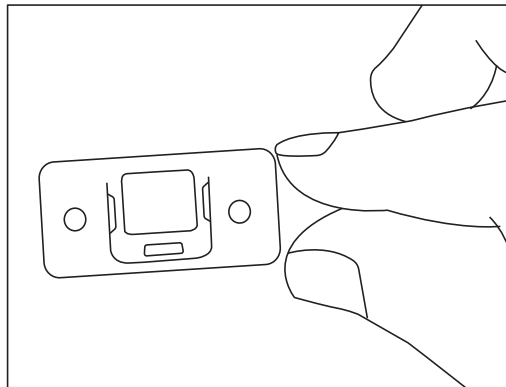
Call us on
1300 527 665

jason.l
your office furniture mate

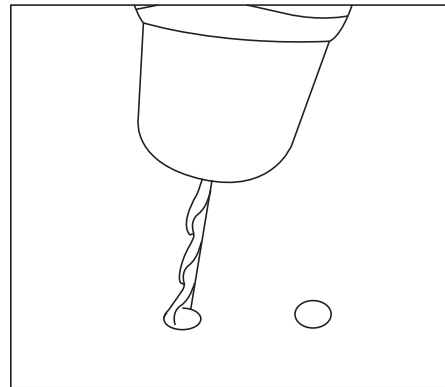


Safety hook *

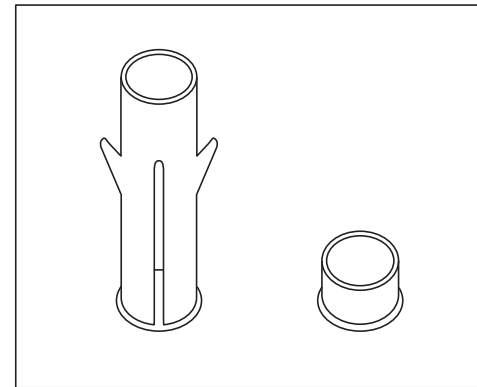
Large furniture provides ample storage space while making your home look great. If you have kids at home, you should firmly secure your large and heavy furniture to prevent it from toppling.



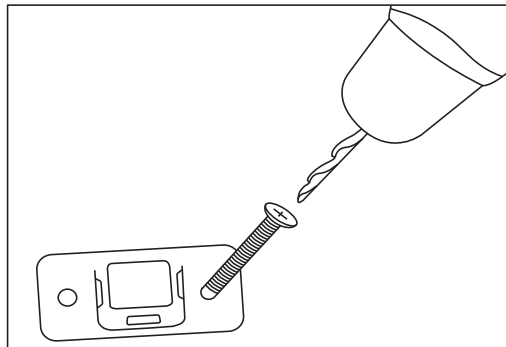
First set the location for install



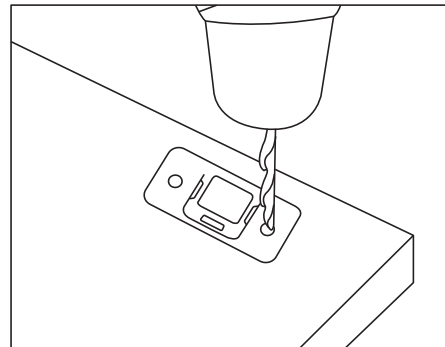
Select the location where the wall is installed and punch $\varnothing 8$ mm



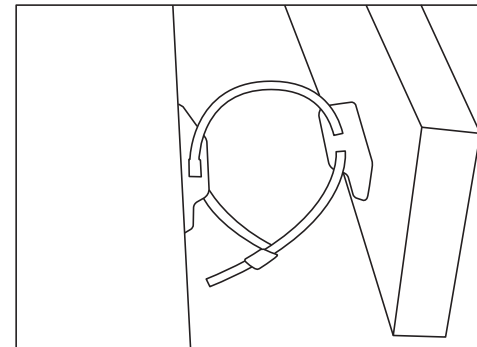
Install the screw expansion tube into the hole



Mounting screws

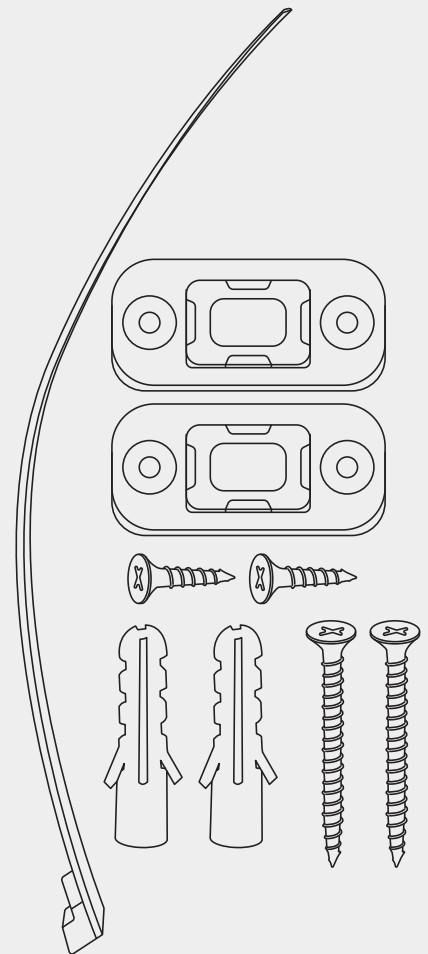


Choose a location that is fixed in the furniture



Adjust the distance of the connecting belt and complete the installation

Components included



JasonL strongly recommends that the safety hook will be utilized in all circumstances to prevent falls when the bookcase is installed on uneven ground, is unevenly packed or is interfered with by pets, children, or as a result of any other household or commercial activity. We disclaim all liability for any loss occasioned in the event that the safety hook is not used or has been improperly installed