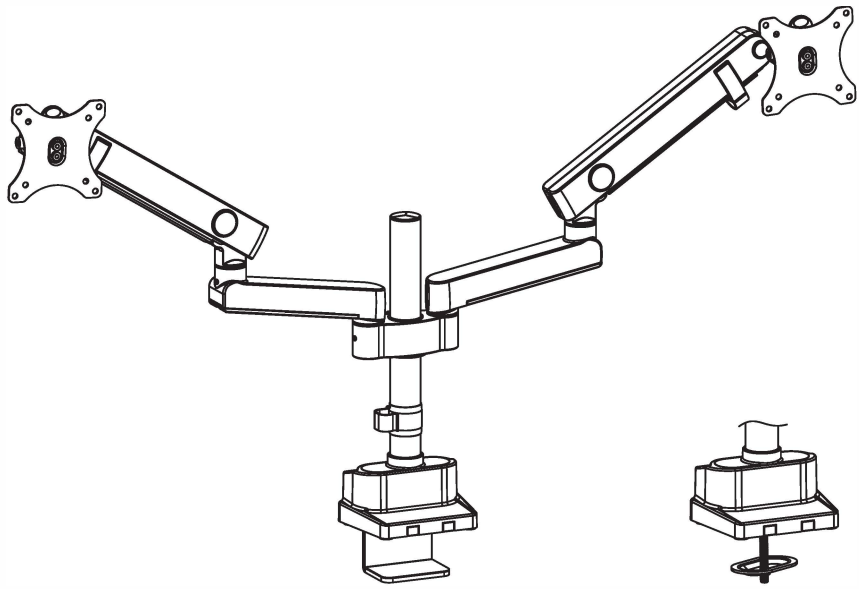


Actiflex II Dual monitor arm and mount



UP-A II Dual



32"
MAX



EN Read the entire instruction manual before you start installation and assembly. If you have any questions regarding any of the instructions or warnings, please contact your local distributor for assistance.

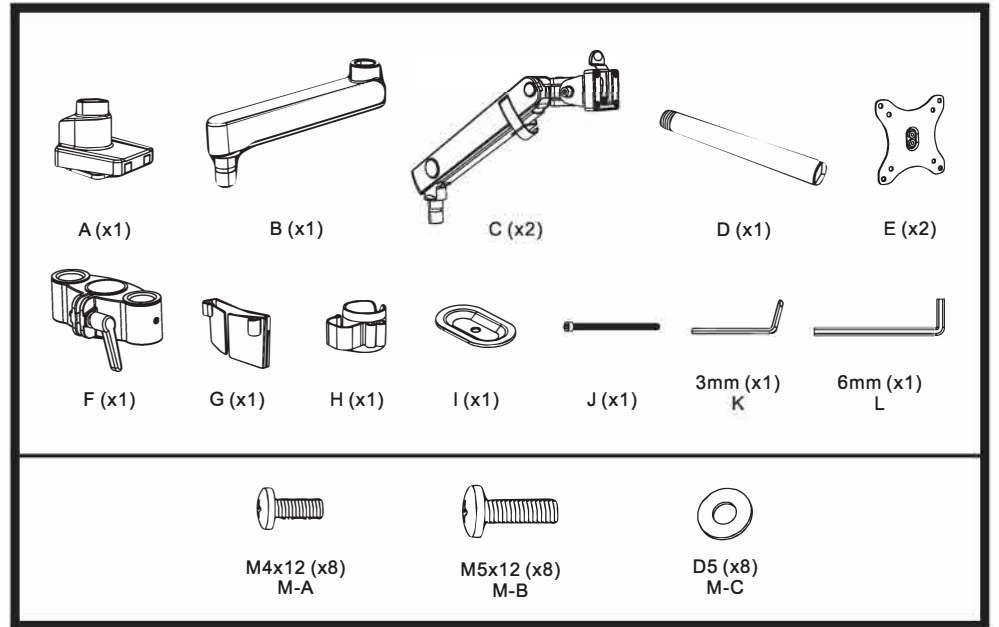
CAUTION: Use with products heavier than the rated weights indicated may result in instability causing possible injury.

- Mounts must be attached as specified in assembly instructions. Improper installation may result in damage or serious personal injury.
- Safety gear and proper tools must be used. This product should only be installed by professionals.
- Make sure that the supporting surface will safely support the combined weight of the equipment and all attached hardware and components.
- Use the mounting screws provided and **DO NOT OVER TIGHTEN** mounting screws
- This product contains small items that could be a choking hazard if swallowed. Keep these items away from children.
- This product is intended for indoor use only. Using this product outdoors could lead to product failure and personal injury.

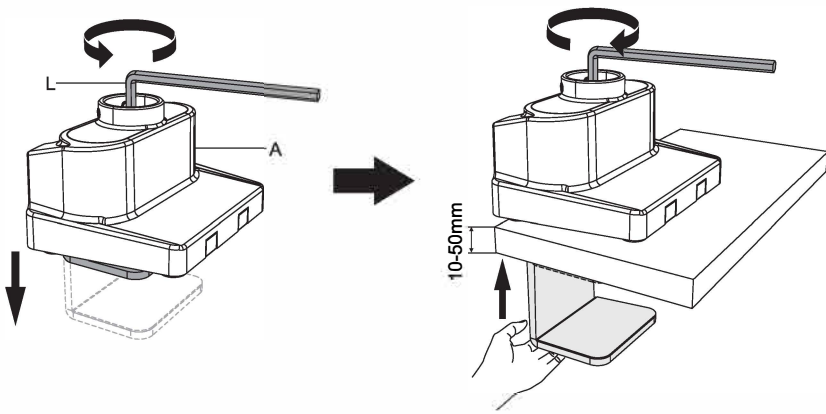
IMPORTANT: Ensure that you have received all parts according to the component checklist prior to installation. If any parts are missing or faulty, telephone your local distributor for a replacement.

MAINTENANCE: Check that the bracket is secure and safe to use at regular intervals (at least every three months).

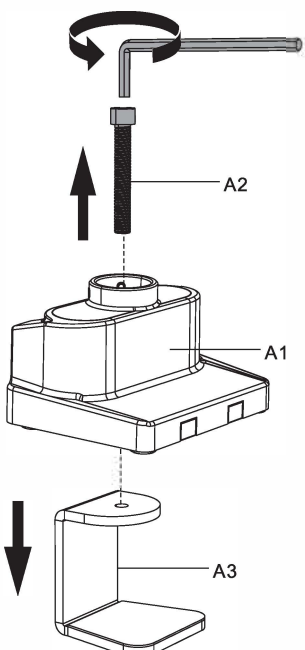
PARTS LIST



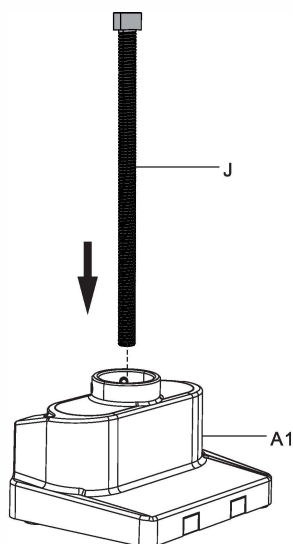
1a Adjust the Clamp Height



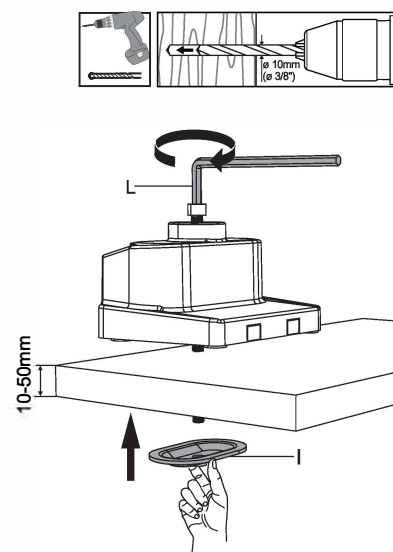
1b-1 Remove the Clamp



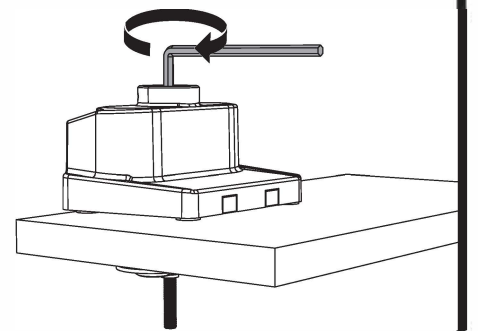
1b-2 Insert the Long Screw



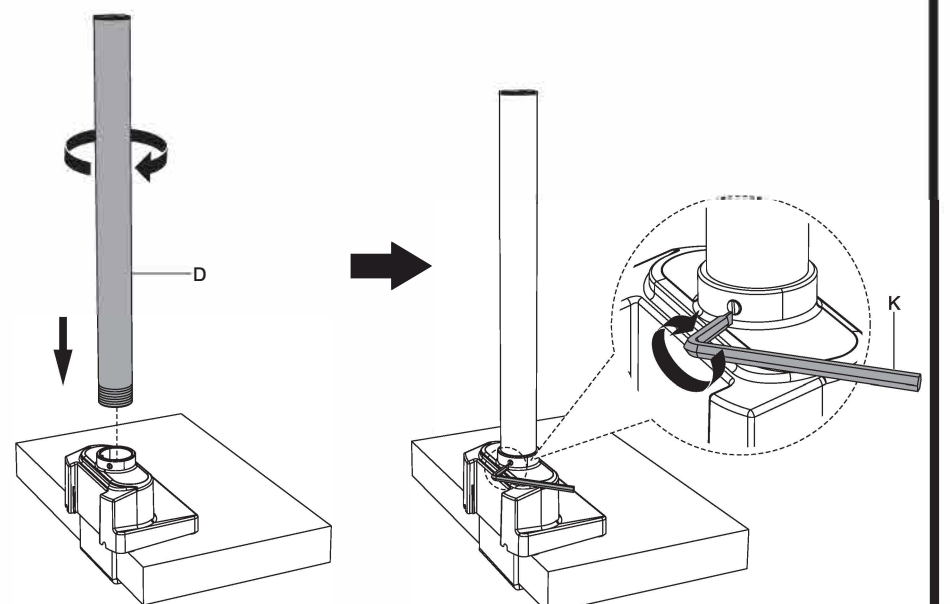
1b-3 Assemble the Base Plate



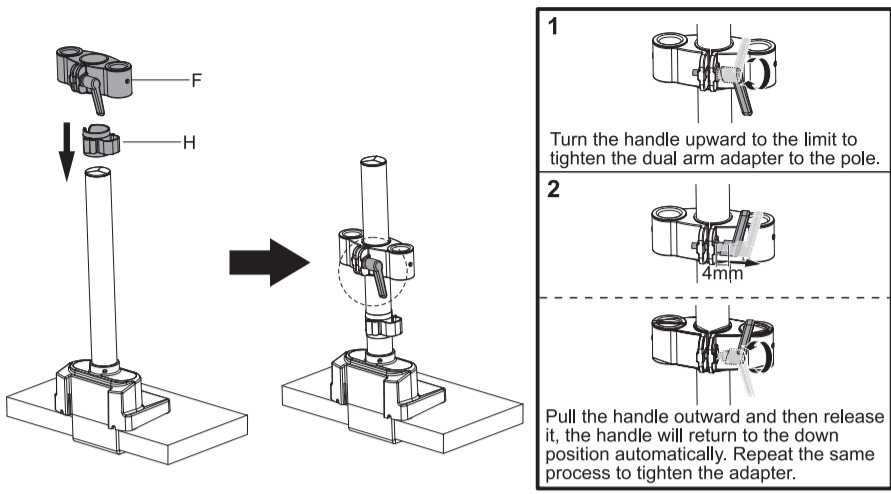
1b-4 Grommet the Base



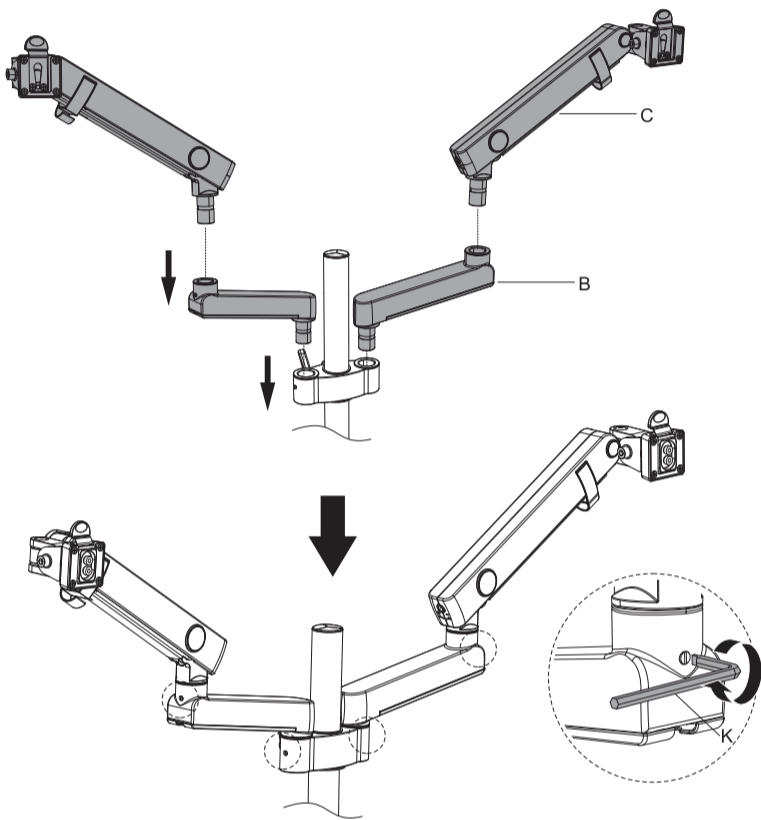
2 Attach Column to the Base



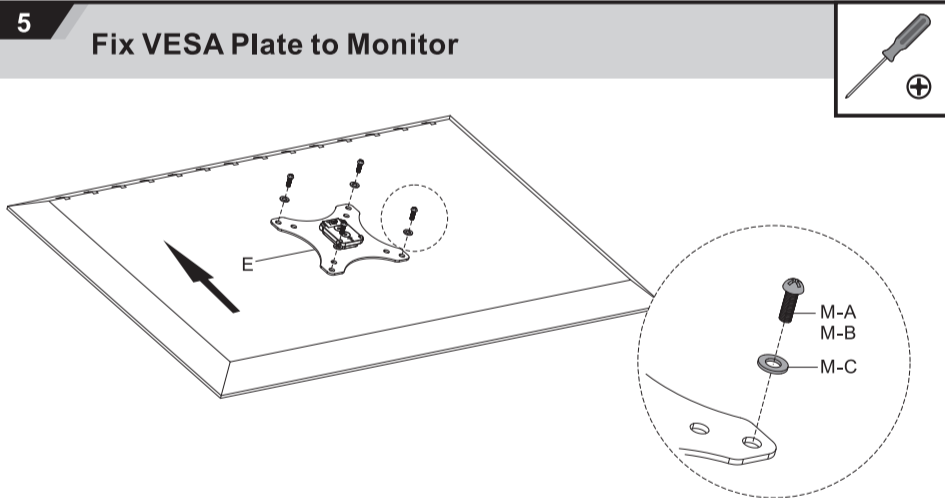
3 Attach the Cable Clip and Arm Adapter



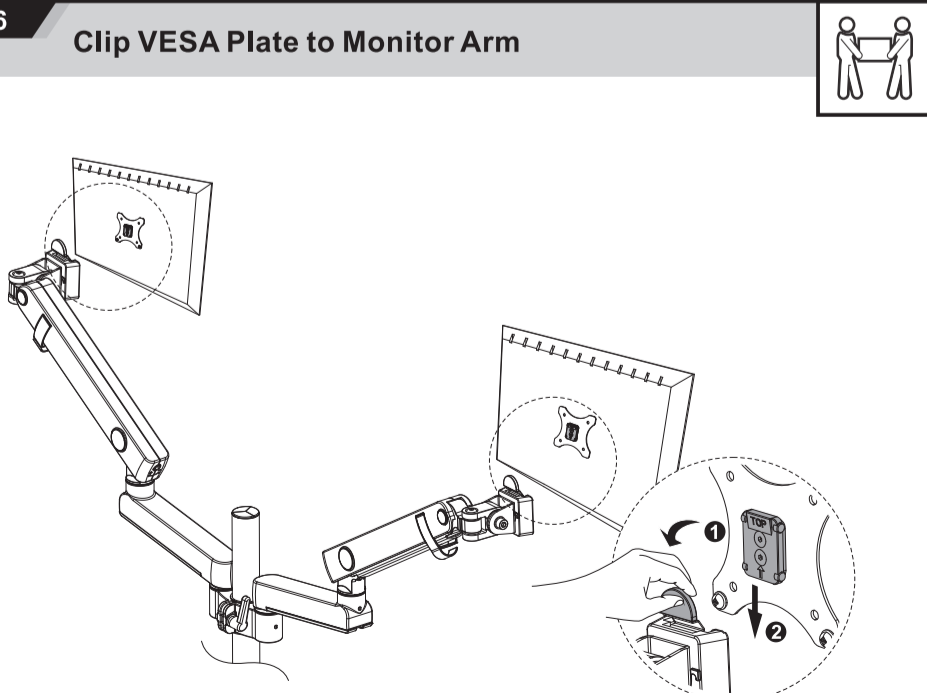
4 Assemble the Arm



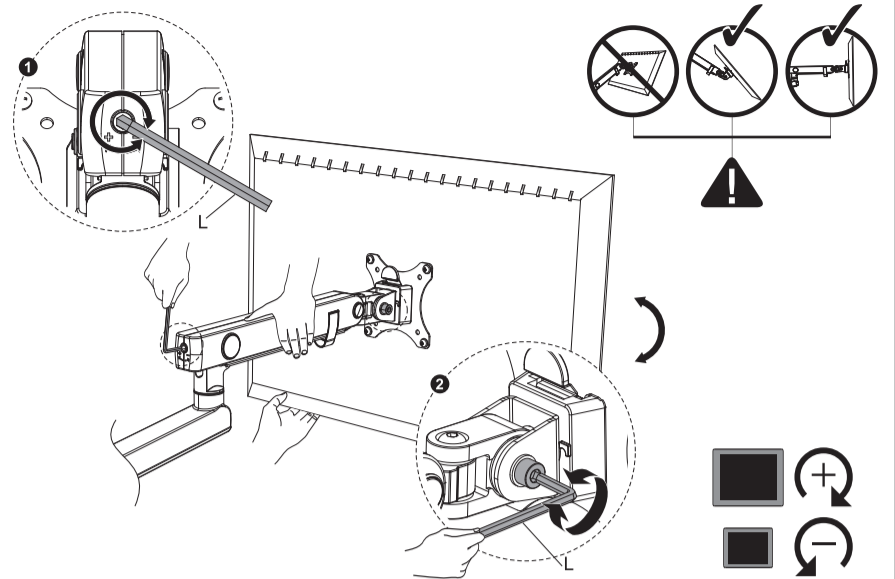
5 Fix VESA Plate to Monitor



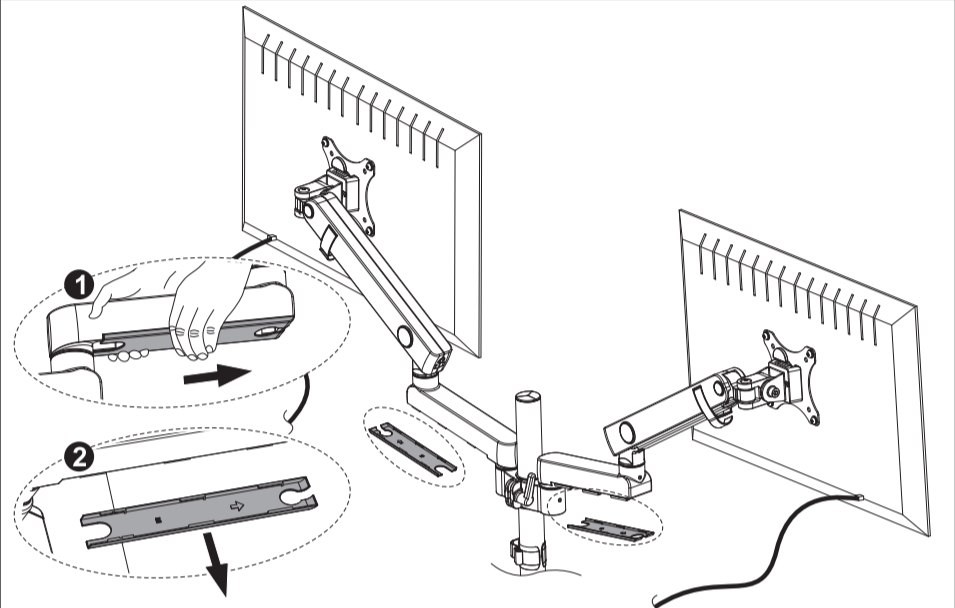
6 Clip VESA Plate to Monitor Arm



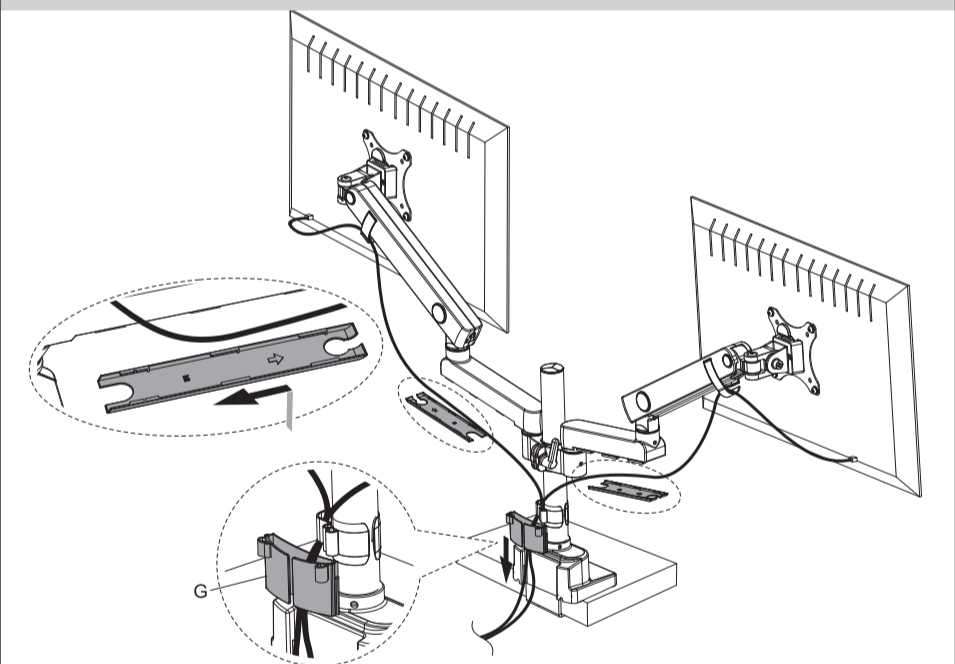
7 Adjust Calibration to Counter Balance Correctly



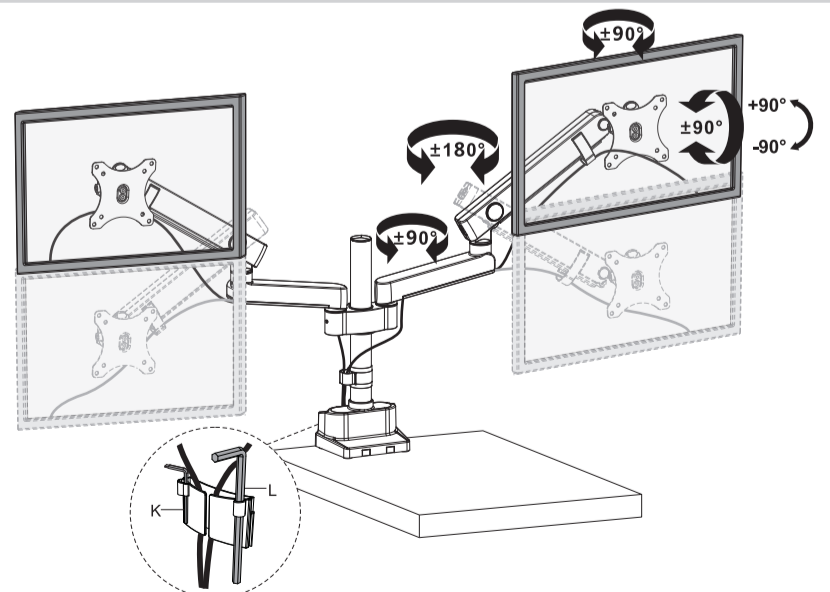
8 Remove the Cable Cover



9 Cable Management



10 Adjust the Monitor to the Desire Position



Need help?
Call us on
1300 527 665

jason.l
your office furniture mate

Uplifting
ergonomic furniture solutions