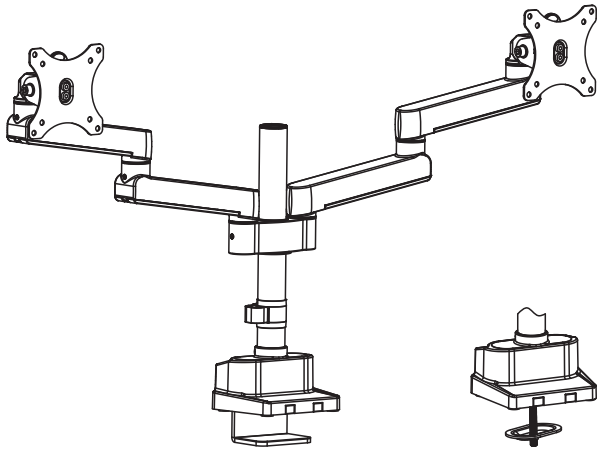


ASSEMBLY INSTRUCTIONS

# Actiflex II

## Dual monitor arm



**EN** Read the entire instruction manual before you start installation and assembly. If you have any questions regarding any of the instructions or warnings, please contact your local distributor for assistance.

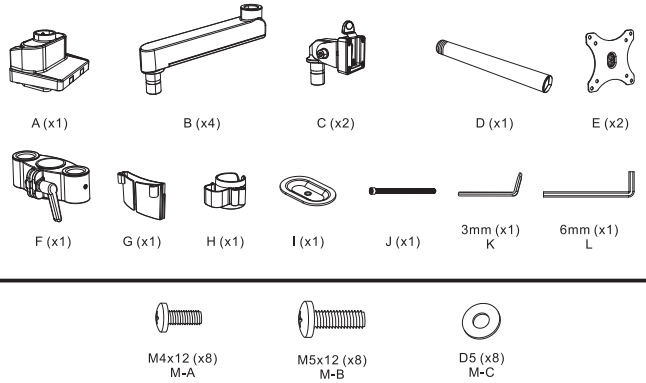
**CAUTION:** Use with products heavier than the rated weights indicated may result in instability causing possible injury.

- Mounts must be attached as specified in assembly instructions. Improper installation may result in damage or serious personal injury.
- Safety gear and proper tools must be used. This product should only be installed by professionals.
- Make sure that the supporting surface will safely support the combined weight of the equipment and all attached hardware and components.
- Use the mounting screws provided and **DO NOT OVER TIGHTEN** mounting screws
- This product contains small items that could be a choking hazard if swallowed. Keep these items away from children.
- This product is intended for indoor use only. Using this product outdoors could lead to product failure and personal injury.

**IMPORTANT:** Ensure that you have received all parts according to the component checklist prior to installation. If any parts are missing or faulty, telephone your local distributor for a replacement.

**MAINTENANCE:** Check that the bracket is secure and safe to use at regular intervals (at least every three months).

### PARTS LIST



**UP-A II Dual Static**      75x75 100x100      32" MAX      9kgx2 (19.8lbsx2) RATED

**1a Clamp Mounting the Base**

Adjust the clamp height to fit desk.

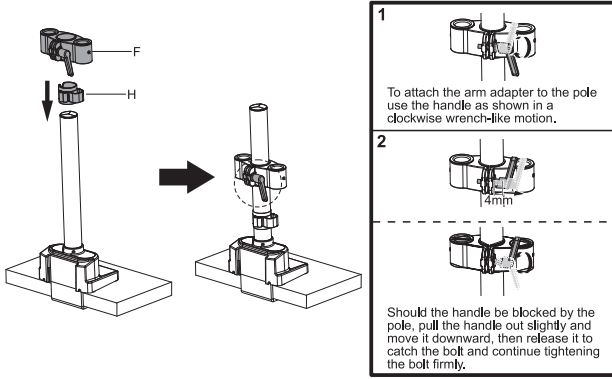
**1b Grommet Mounting the Base**

Remove the clamp screw.      Insert the long screw.

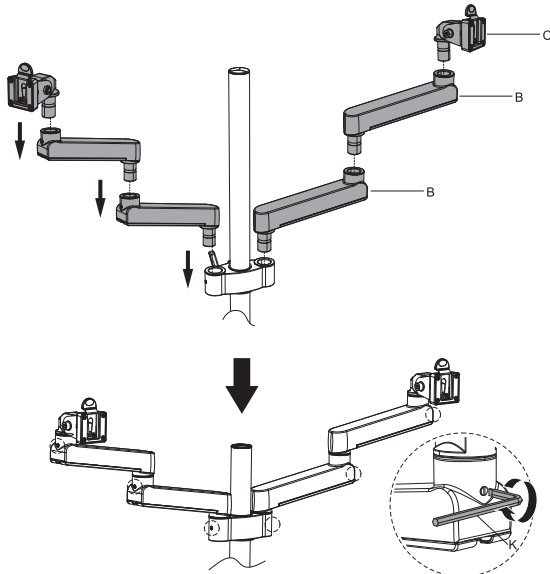
Attach the grommet plate to the long screw.      Fully tighten the long screw.

**2 Attach Column to the Base**

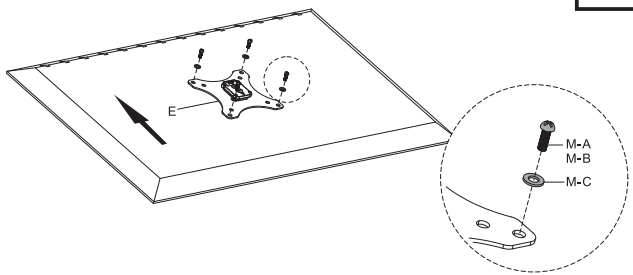
**3 Attach the Cable Clip and Arm Adapter to the Pole**



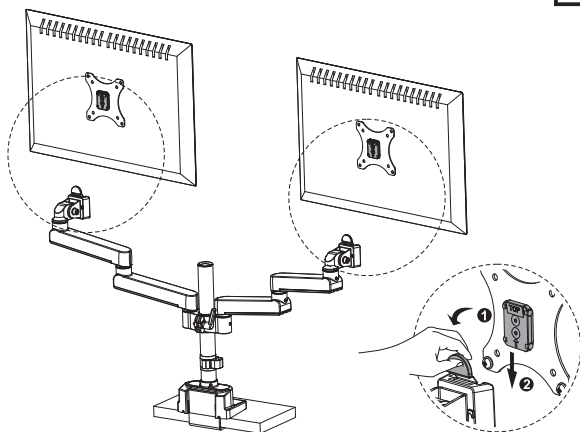
**4 Assemble the Arm**



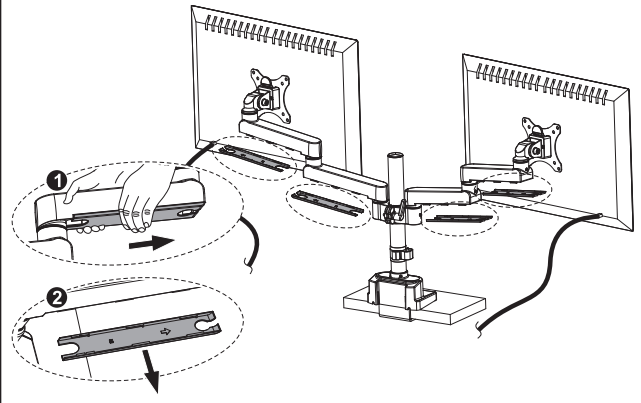
**5 Attach the VESA Plates to the Monitors**



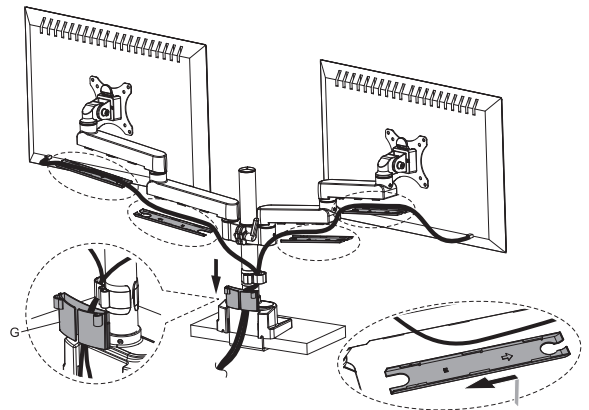
**6 Clip on the VESA Mounts to the VESA Plates**



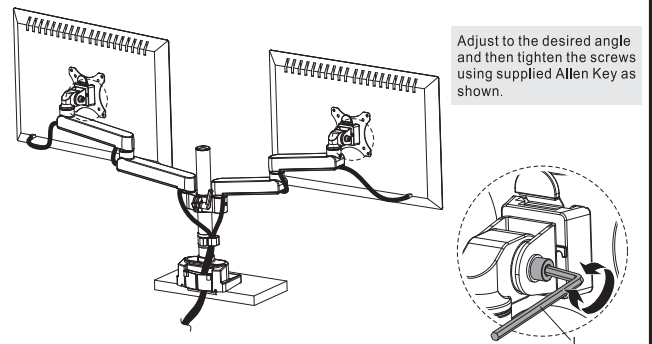
**7 Remove the Cable Covers**



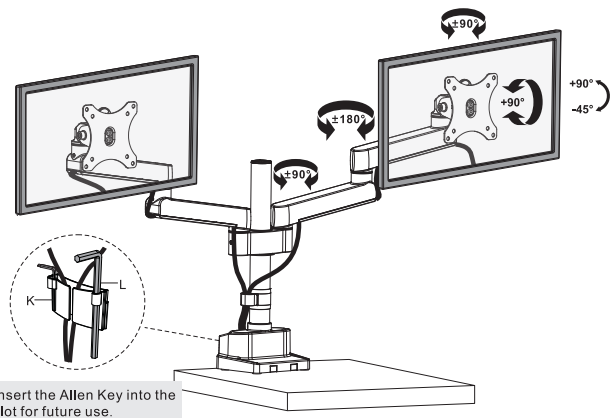
**8 Route the Cable Along The Arm**



**9 Tilt the Monitors**



**10 Adjust the Monitors to the Desired Position**



**Uplifting**  
ergonomic furniture solutions

**Need help?**  
Call us on  
1300 527 665

**jason.l**  
your office furniture mate