

# INSTALLATION GUIDE

## Switch System

### Small Round Meeting Frame

[www.jasonl.com.au](http://www.jasonl.com.au)

**Need help!**

Call us on  
**1300 527 665**

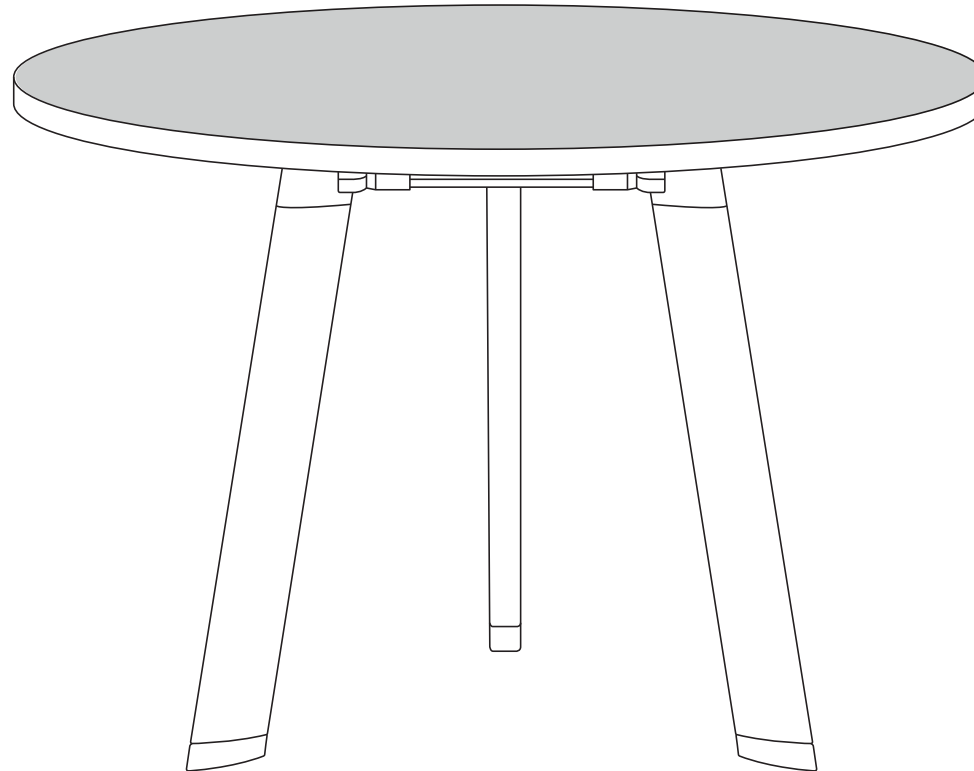
**jason.l**  
your office furniture mate



#### Sizes:

700 D

800 D



**Tools Required:** Power screwdriver.

**Note:** Please ignore any pre-drilled holes or nut inserts that maybe present in your top(s). They will not match your particular table/desk base and woods screws will be required to be screwed directly into the underside of the top.

**Note:** It is important to fully tighten all bolts and screws before attaching the top(s) so that the frame is sufficiently rigid. Failure to do this may affect stability once the tops are attached.

# INSTALLATION GUIDE

## Switch System

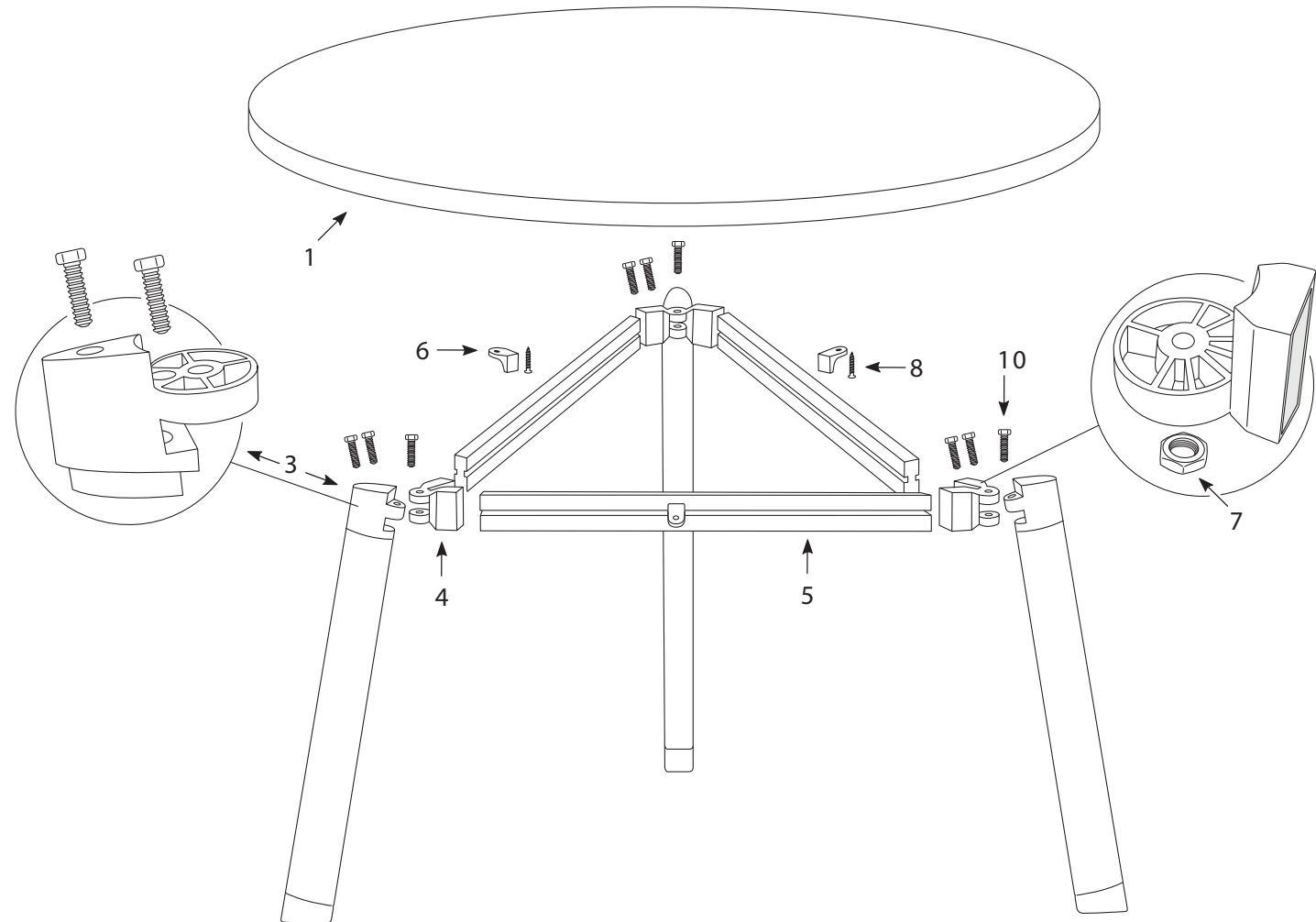
### Small Round Meeting Frame

www.jasonl.com.au

Need help!

Call us on  
1300 527 665

**jason.l**  
your office furniture mate



#### COMPONENTS

- 1 Table Top (700mm D)
- 2 Leg x3
- 3 Leg Bracket x3
- 4 Beam Bracket x6
- 5 Switch Beam x3 (180mm)
- 6 L-Bracket x6

#### SCREWS

- 7 Hex Nut x3
- 8 L-Bracket screws x3
- 9 Hex Head screws x9
- 10 M8x25mm Dome Head x3