

INSTALLATION GUIDE
**Switch System
Boardroom**

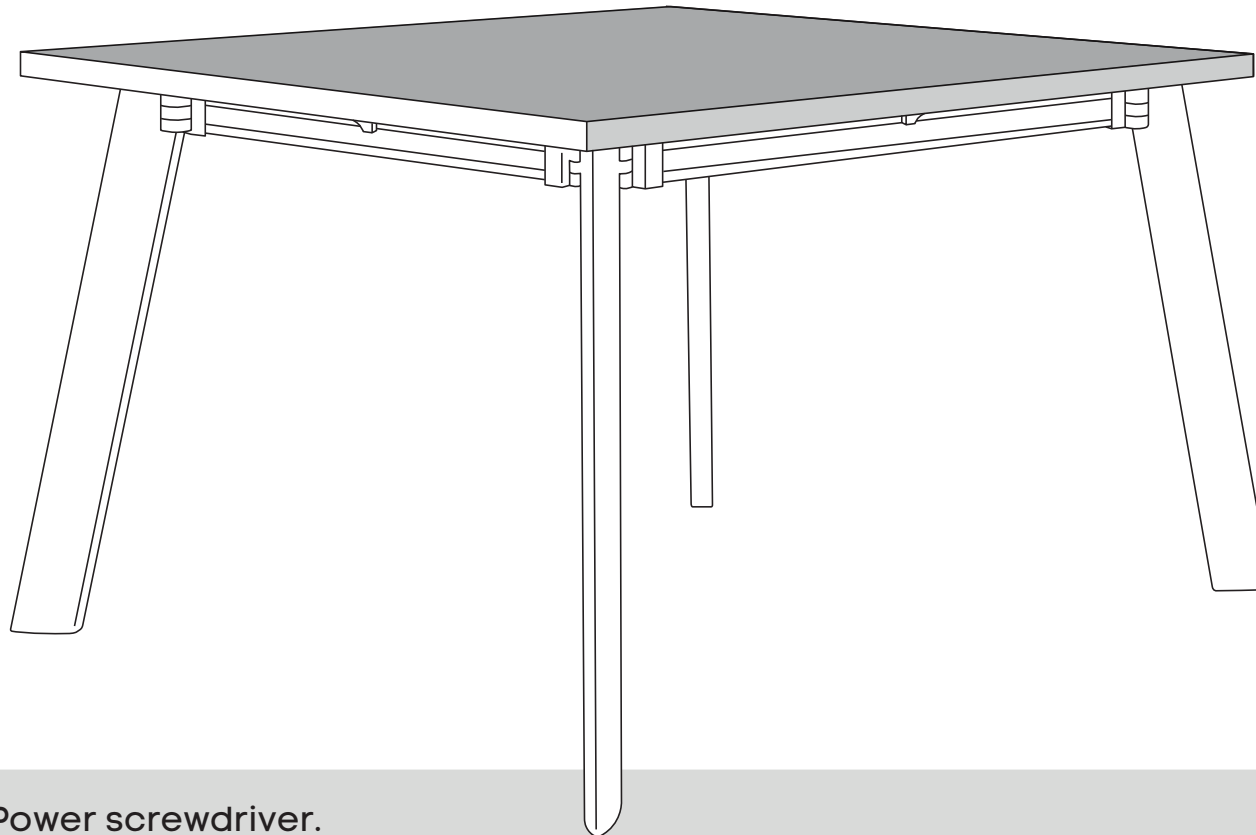
Size: 1200mm x 1200mm

www.jasonl.com.au

Need help!

Call us on
1300 527 665

jason.l
your office furniture mate



Tools Required: Power screwdriver.

Special Note: Please ignore any pre-drilled holes or nut inserts that maybe present in your top(s). They will not match your particular table/desk base and woods screws will be required to be screwed directly into the underside of the top.

INSTALLATION GUIDE

Switch System Boardroom

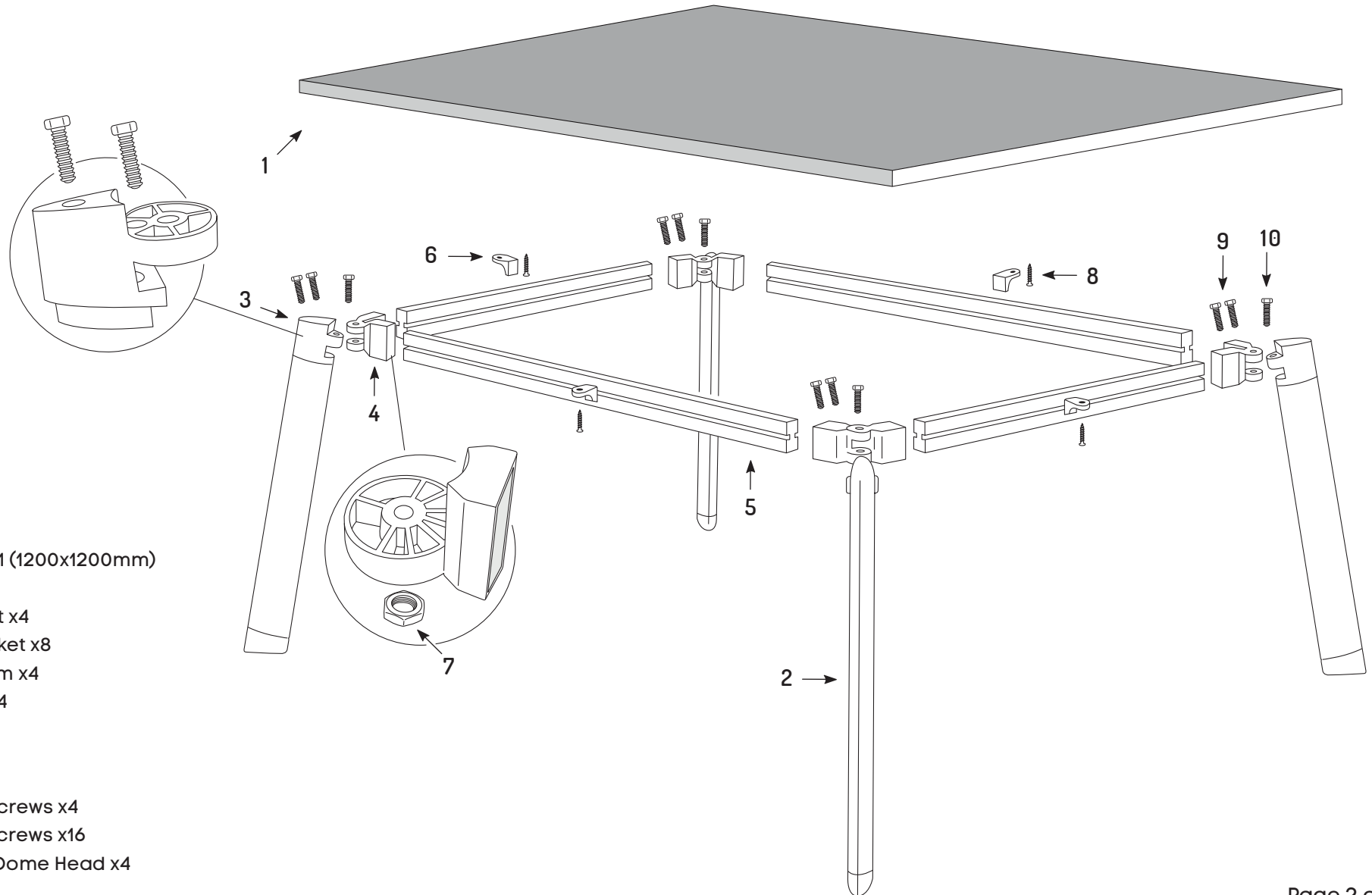
Size: 1200mm x 1200mm

www.jasonl.com.au

Need help!

Call us on
1300 527 665

jason.l
your office furniture mate



COMPONENTS

- 1 Table Top x1 (1200x1200mm)
- 2 Leg x4
- 3 Leg Bracket x4
- 4 Beam Bracket x8
- 5 Switch Beam x4
- 6 L-Bracket x4

SCREWS

- 7 Hex Nut x4
- 8 L-Bracket screws x4
- 9 Hex Head screws x16
- 10 M8x25mm Dome Head x4

INSTALLATION GUIDE

Switch System Boardroom

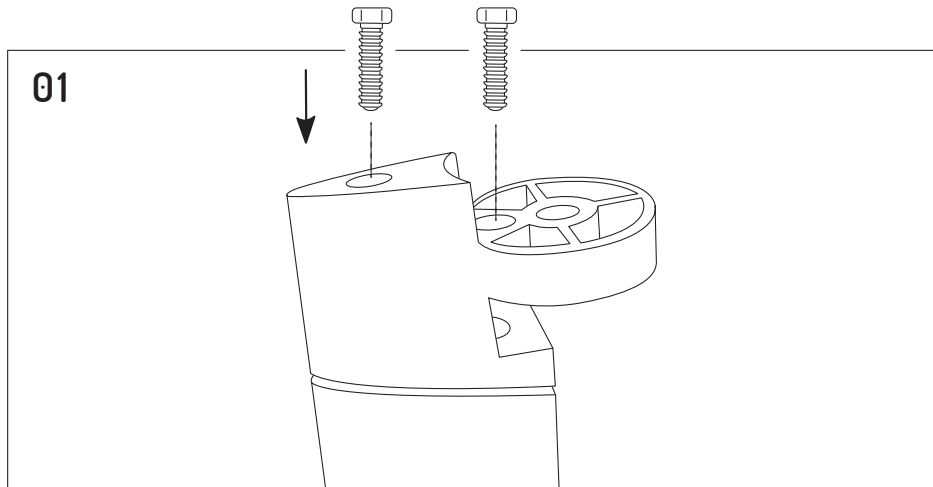
Size: 1200mm x 1200mm

www.jasonl.com.au

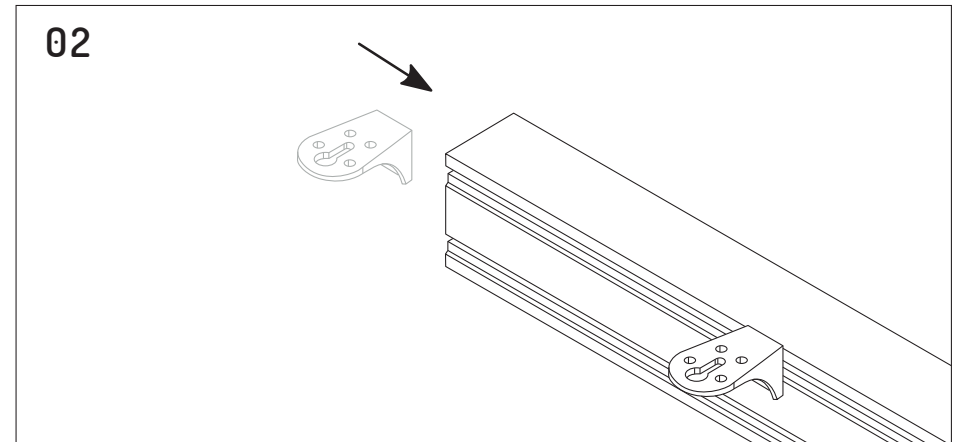
Need help!

Call us on
1300 527 665

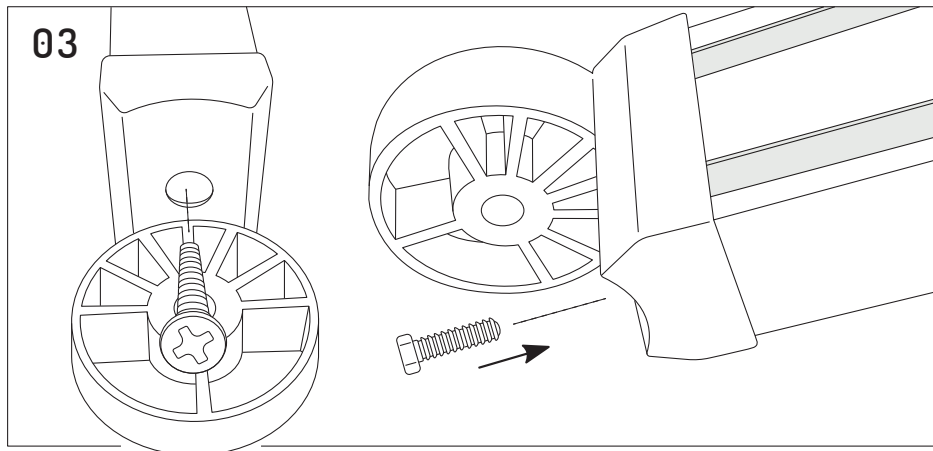
jason.l
your office furniture mate



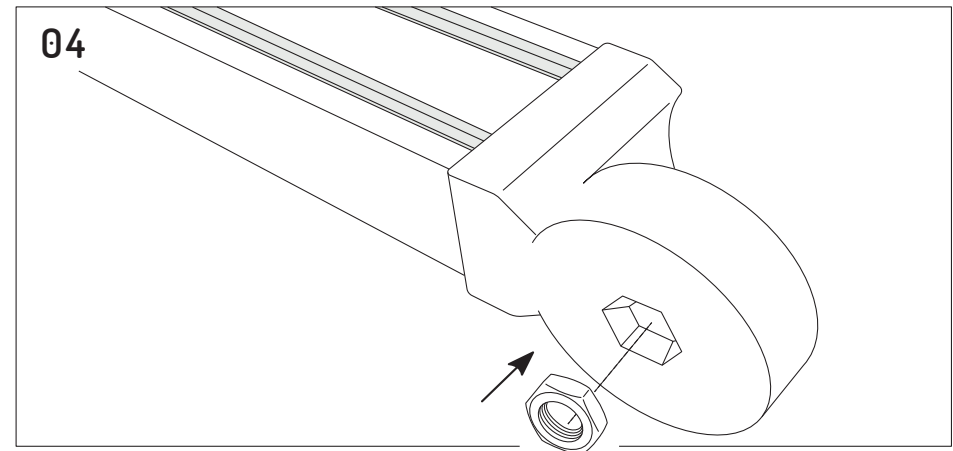
Join Leg Brackets to each Leg using screws to secure them, as follow.



Join 1 L-Bracket through each Beam.



Securely connect each Beam to each Beam Bracket. Screw to secure.



Insert Hex Nut on each Beam Bracket.

INSTALLATION GUIDE

Switch System Boardroom

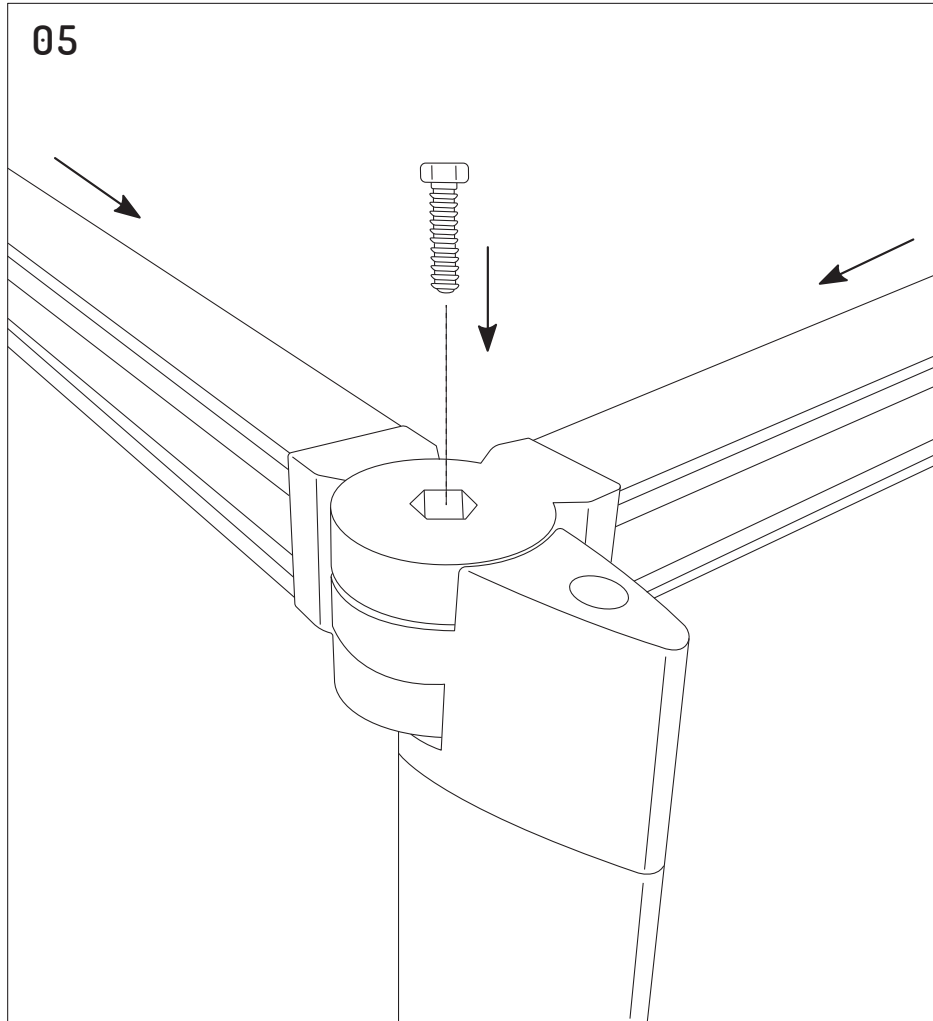
Size: 1200mm x 1200mm

www.jasonl.com.au

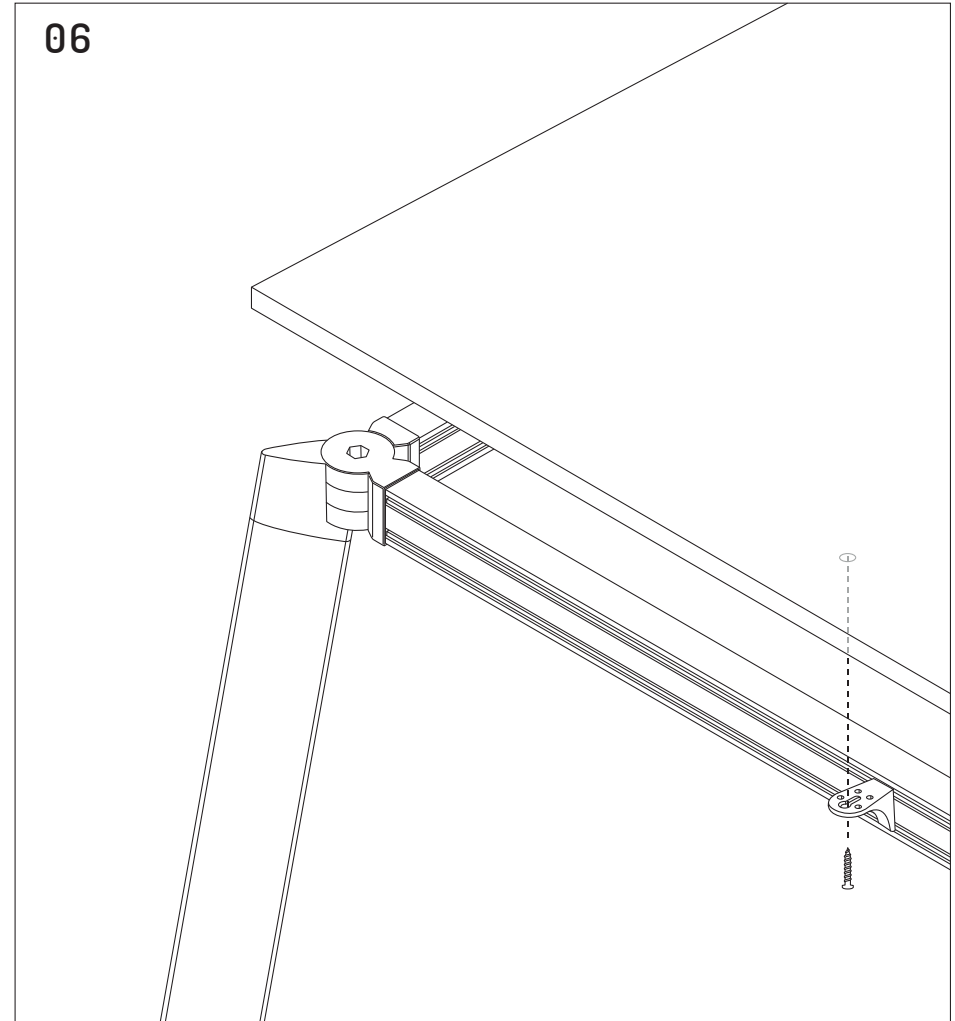
Need help!

Call us on
1300 527 665

jason.l
your office furniture mate



Position as presented, and proceed to screw to ensure each corner of the frame.



Directly screw into table tops, using L-Bracket screws through each L-Bracket.