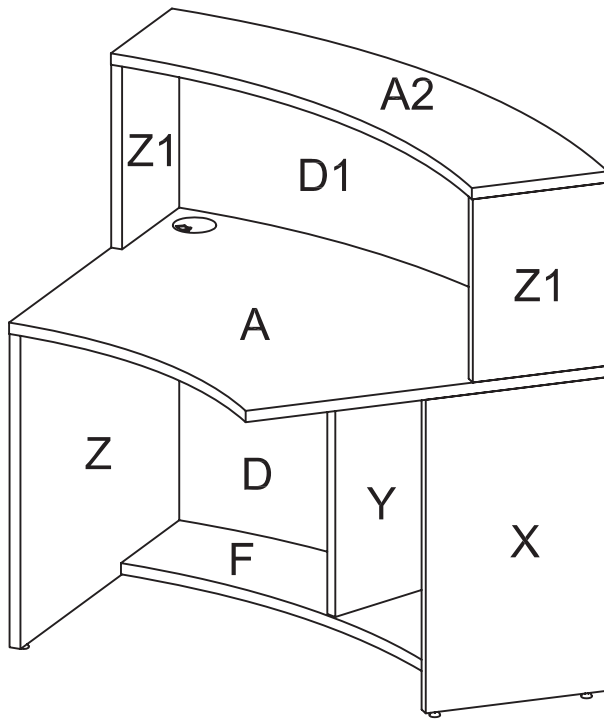


Sonic Flexi Reception Counter

www.jasonl.com.au

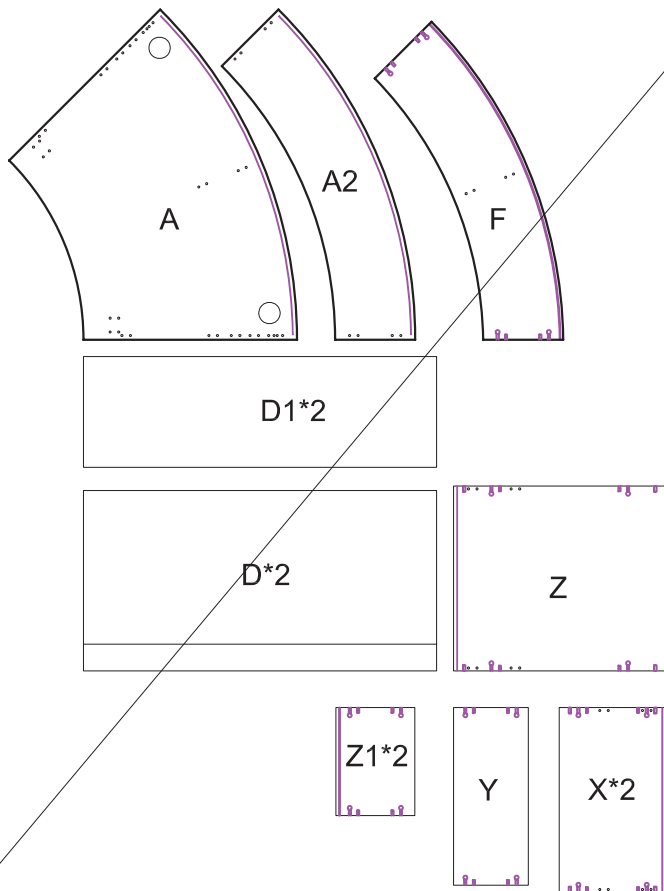
Need help!
Call us on
1300 527 665

jason.l
your office furniture mate

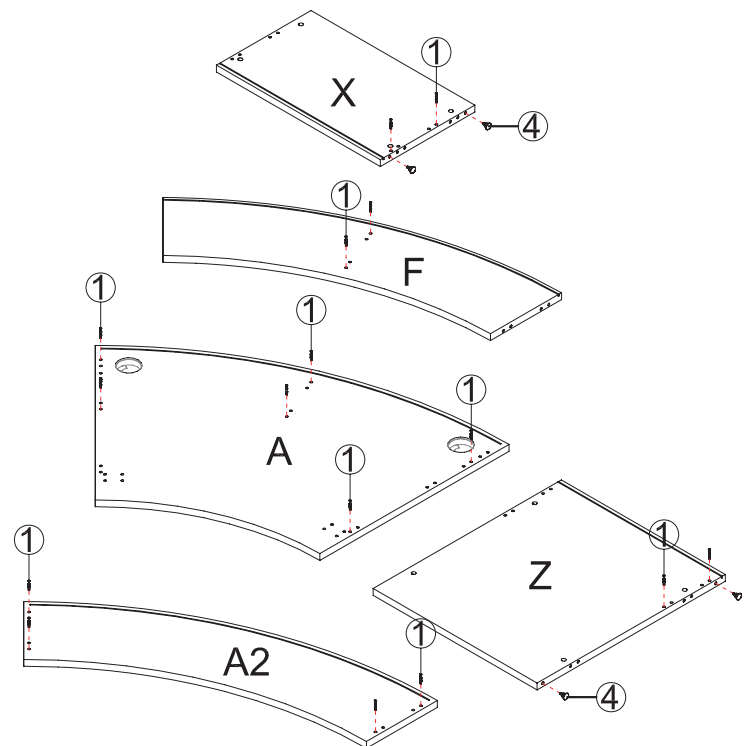


pin 6×35	1	20PCS
CAM	2	22PCS
Cam Cover	3	28PCS
ADJ.FEET Ø24×12H	4	4PCS
CONNECTOR 200×80	5	1PCS
Screw 6×12	6	8PCS
The back bracket	7	12PCS

AU

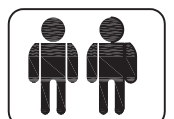


STEP 1

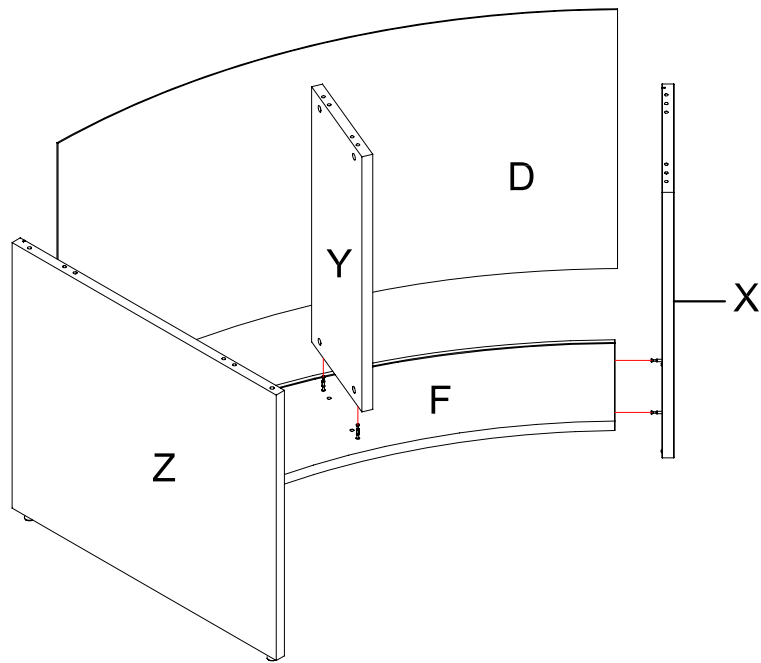


IMPORTANT NOTE:

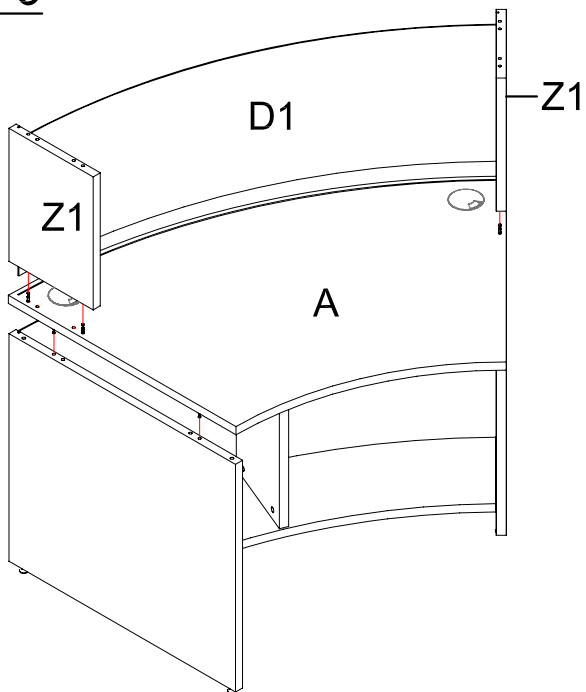
- Place all laminated parts on a clean and smooth surface such as a rug or carpet to avoid the parts from being scratched.
- Check to be sure that you have all parts and hardware.
- Remove all wrapping materials, including staples & packing straps before you start to assemble.
- Don't tighten all screws/bolts until all completely assembled.
- Keep all hardware parts out of reach of children



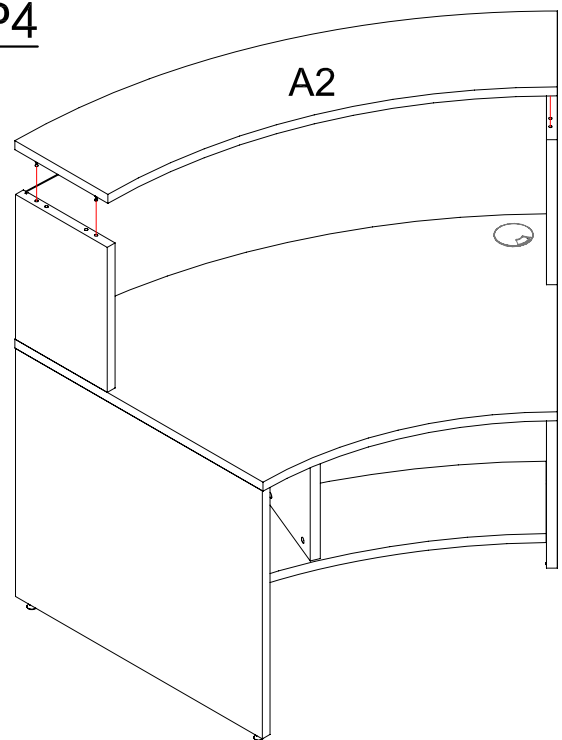
STEP 2



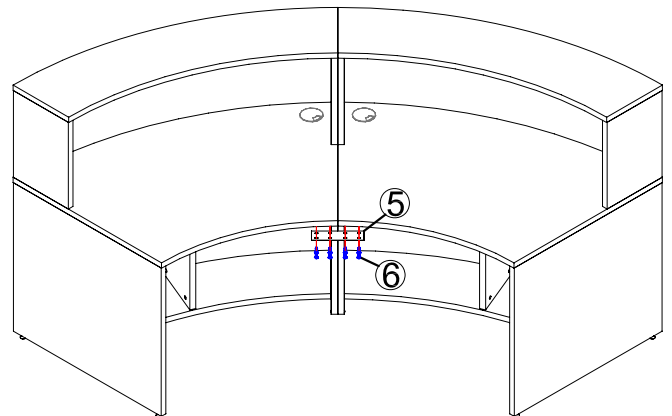
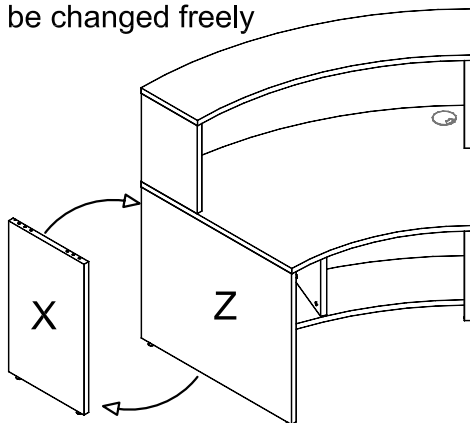
STEP 3



STEP 4

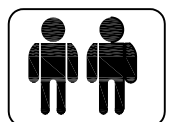


X and Z can be changed freely



IMPORTANT NOTE:

- Place all laminated parts on a clean and smooth surface such as a rug or carpet to avoid the parts from being scratched.
- Check to be sure that you have all parts and hardware.
- Remove all wrapping materials, including staples & packing straps before you start to assemble.
- Don't tighten all screws/bolts until all completely assembled.
- Keep all hardware parts out of reach of children

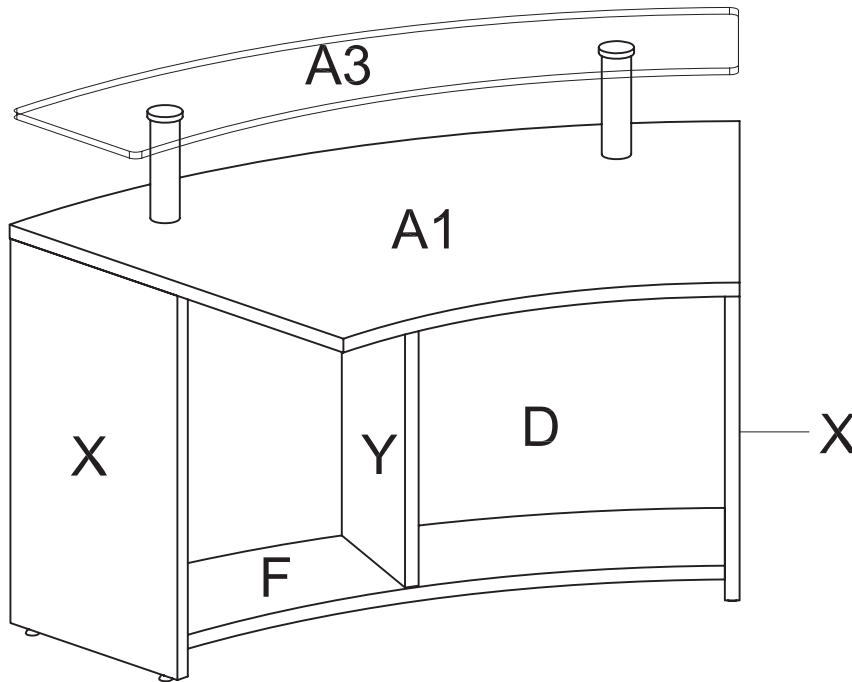


Sonic Flexi Reception Counter

www.jasonl.com.au

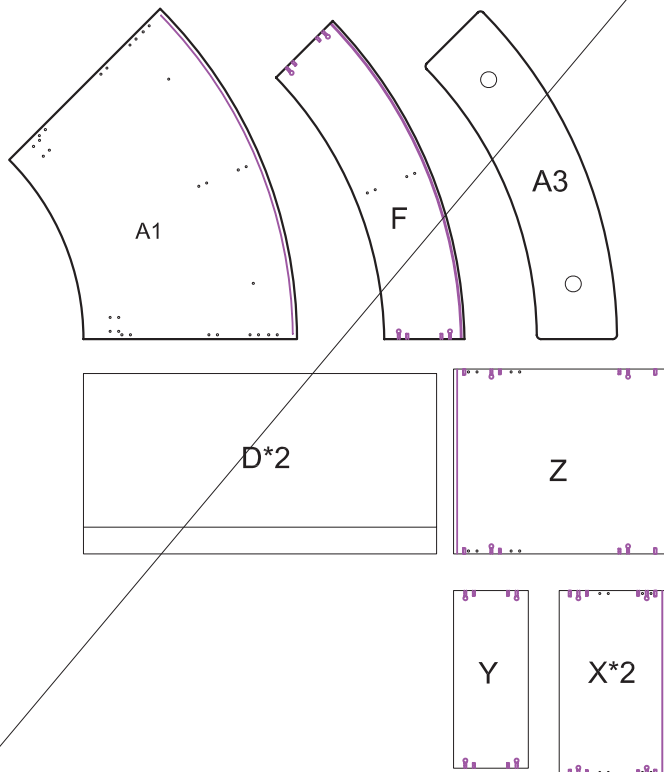
Need help!
Call us on
1300 527 665

jason.l
your office furniture mate

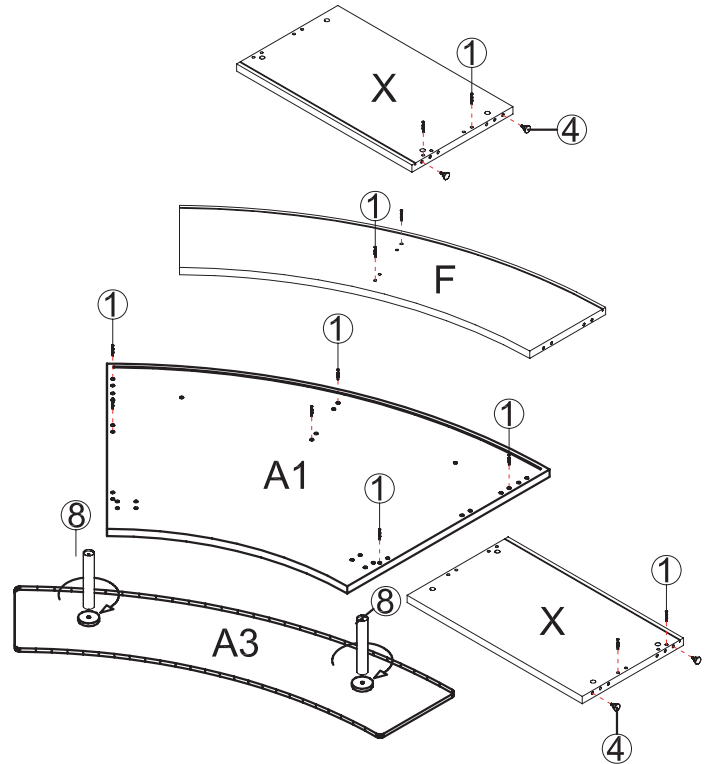


AU

pin	6x35	1
		12PCS
CAM		2
		14PCS
Cam Cover		3
		20PCS
ADJ.FEET	ø24x12E	4
		4PCS
CONNECTOR	200x60	5
		1PCS
Screw	6x12	6
		8PCS
The back bracket		7
		6PCS
glass top support	ø50x103E	8
		2PCS

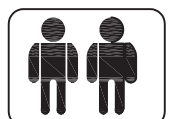


STEP 1

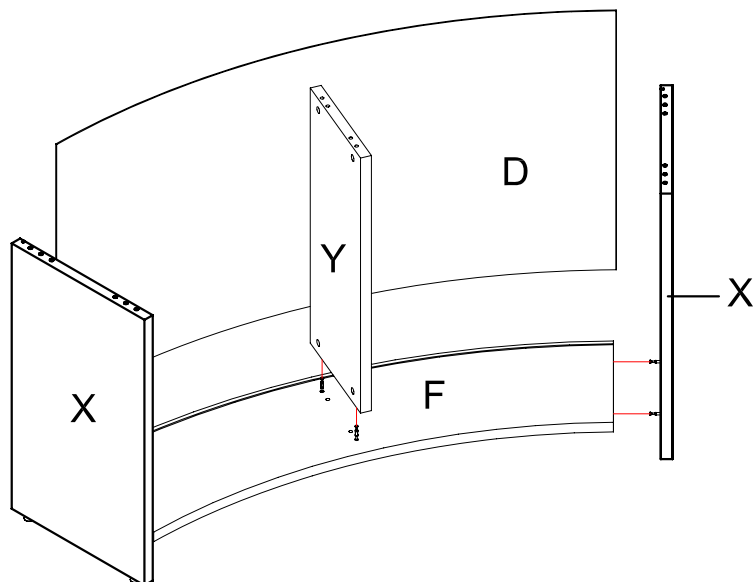


IMPORTANT NOTE:

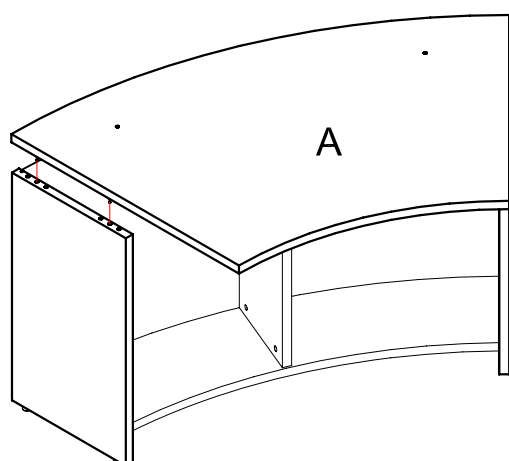
- Place all laminated parts on a clean and smooth surface such as a rug or carpet to avoid the parts from being scratched.
- Check to be sure that you have all parts and hardware.
- Remove all wrapping materials, including staples & packing straps before you start to assemble.
- Don't tighten all screws/bolts until all completely assembled.
- Keep all hardware parts out of reach of children



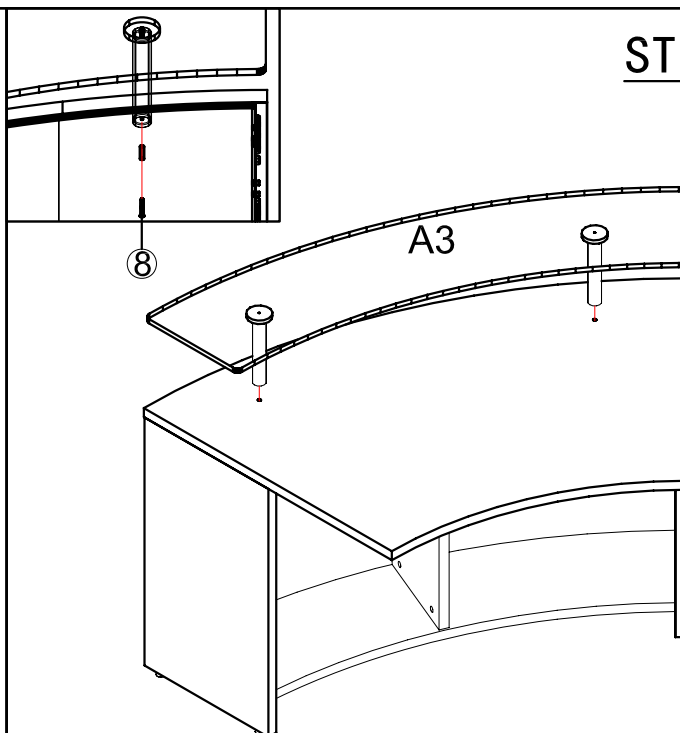
STEP 2



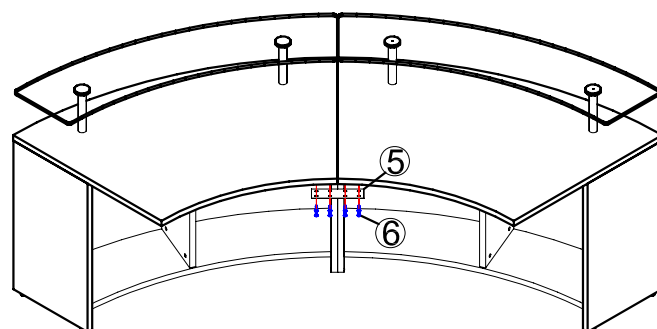
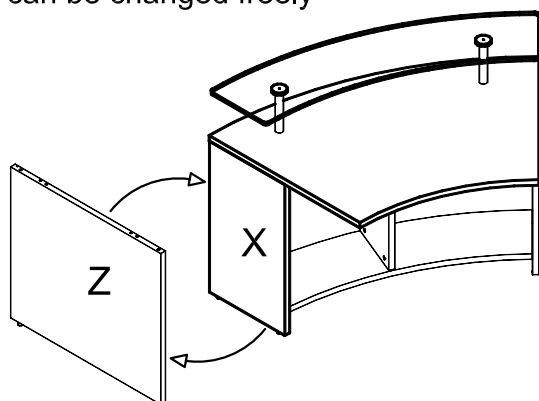
STEP 3



STEP 4



X and Z can be changed freely



IMPORTANT NOTE:

- Place all laminated parts on a clean and smooth surface such as a rug or carpet to avoid the parts from being scratched.
- Check to be sure that you have all parts and hardware.
- Remove all wrapping materials, including staples & packing straps before you start to assemble.
- Don't tighten all screws/bolts until all completely assembled.
- Keep all hardware parts out of reach of children

