

ASSEMBLY INSTRUCTIONS

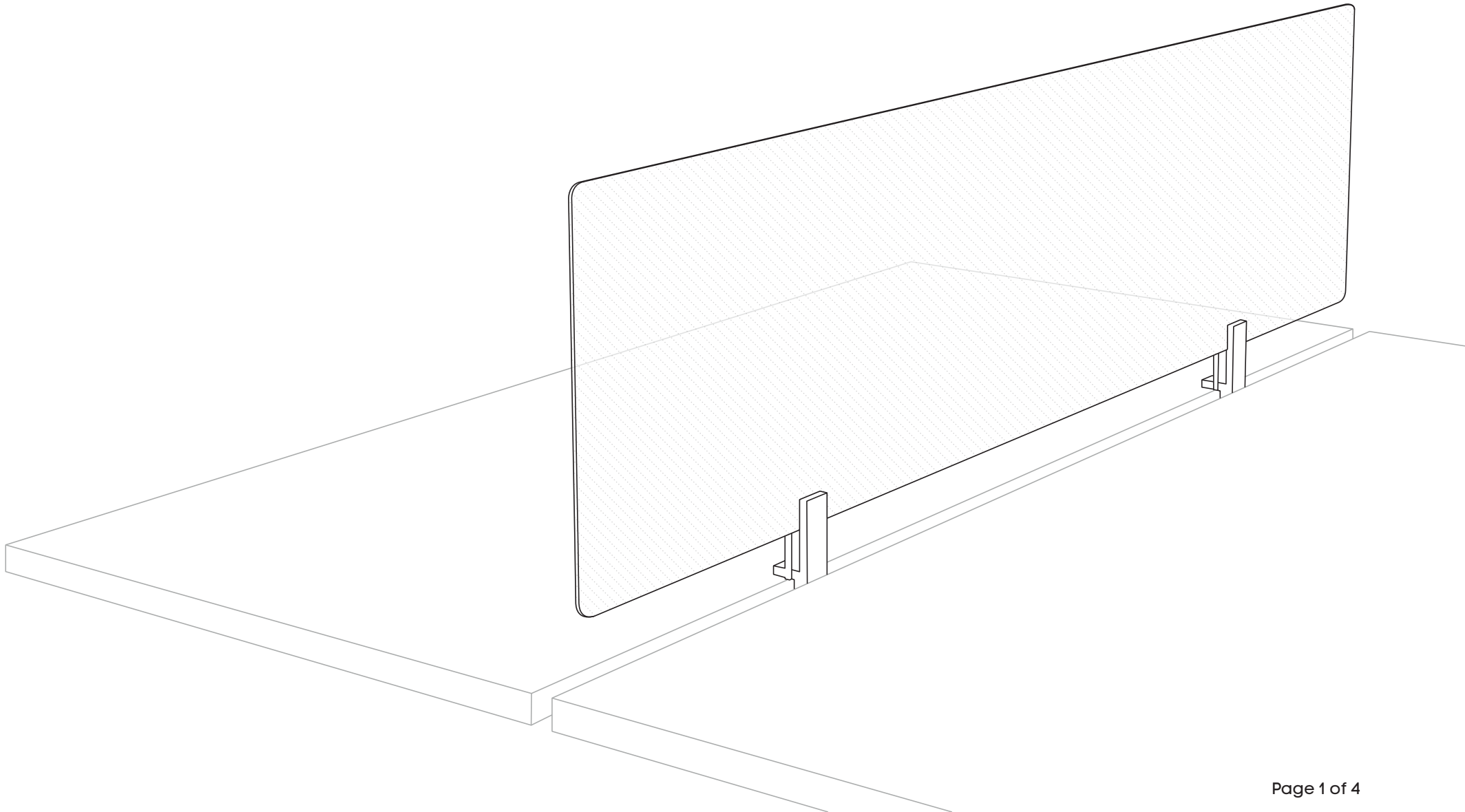
Lean perspex or Lean Echo screens

Sizes: 800 / 1500 mm wide

www.jasonl.com.au

Need help!
Call us on
1300 527 665

jason.l
your office furniture mate



ASSEMBLY INSTRUCTIONS

Lean perspex or Lean Echo screens

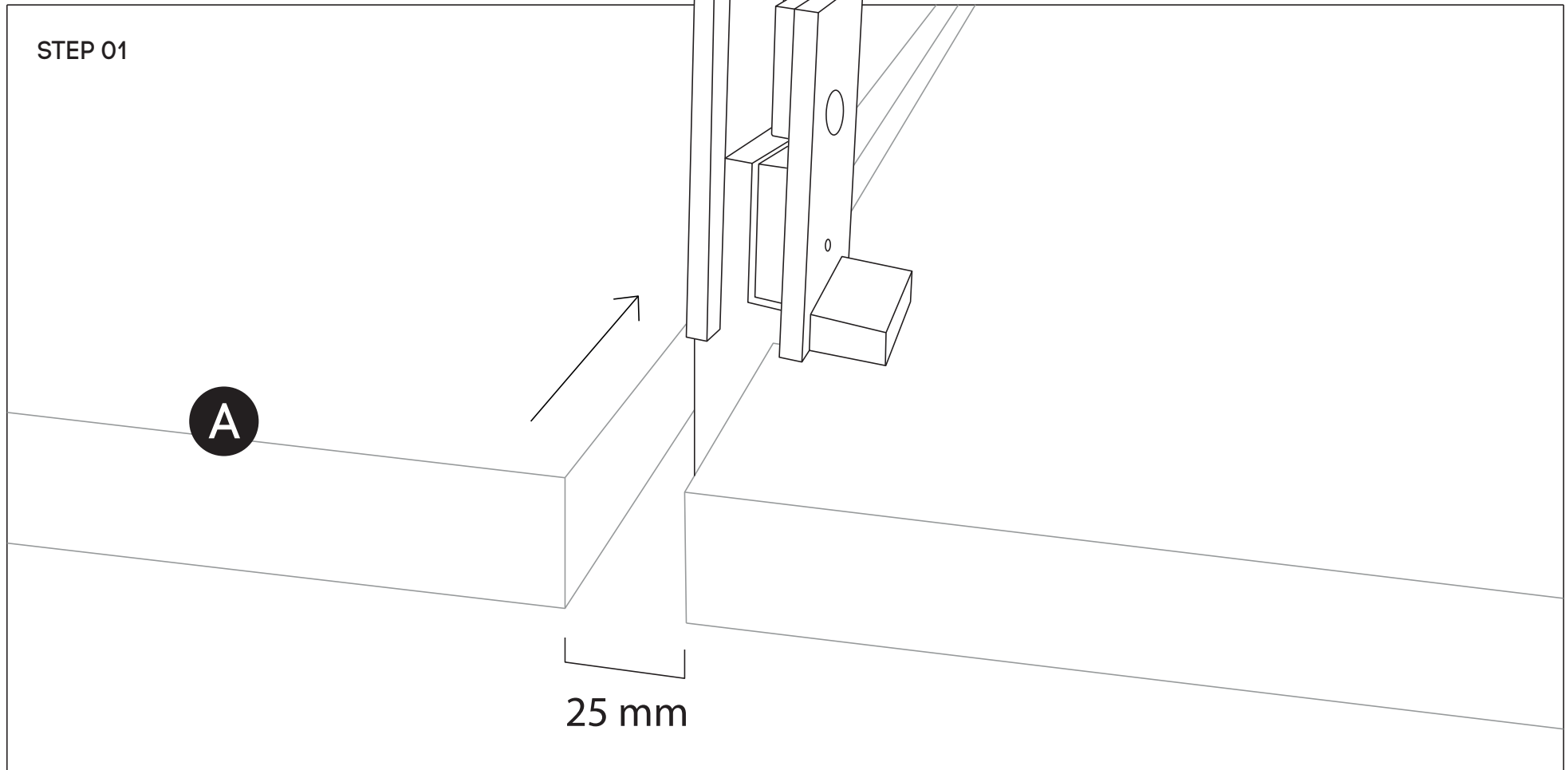
Sizes: 800 / 1500 mm wide

www.jasonl.com.au

Need help!

Call us on
1300 527 665

jason.l
your office furniture mate



Please leave 25mm gap between table tops (A) so we can install pincer clamp brackets between the two table tops. Pincer brackets can be installed around 250mm-300mm from the end of the screen (or can be any desired distance).

ASSEMBLY INSTRUCTIONS

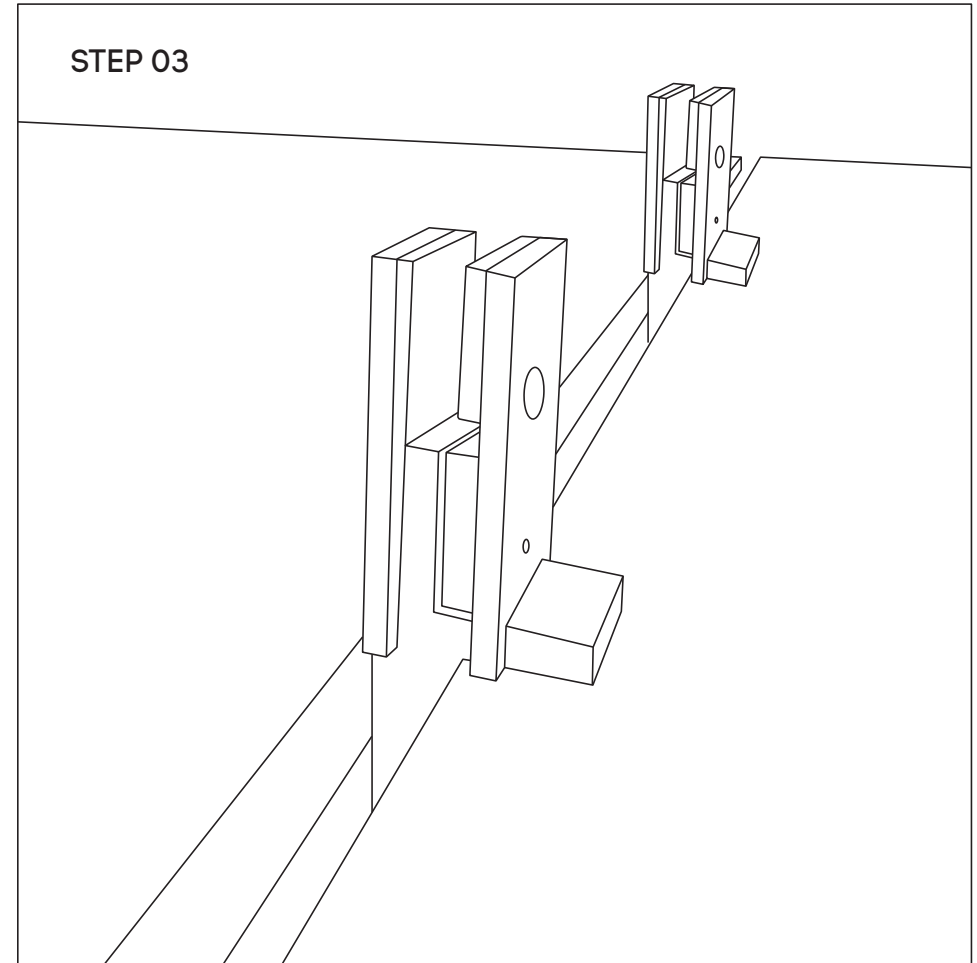
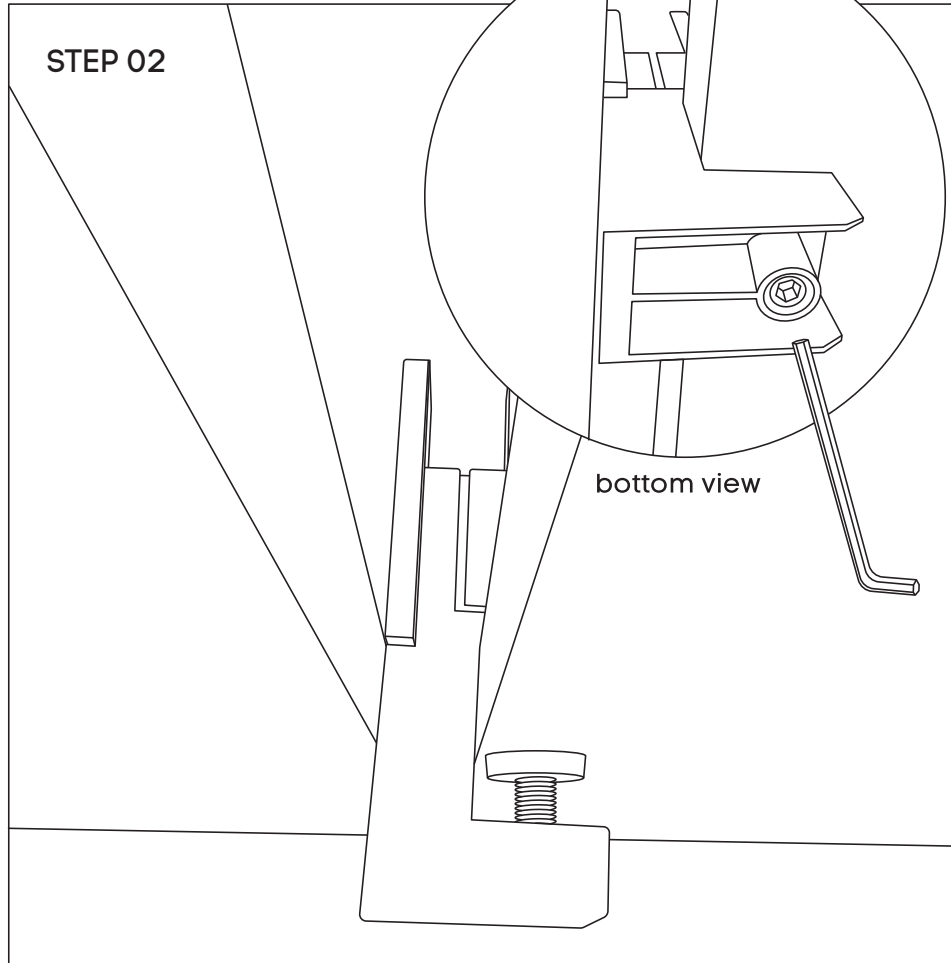
Lean perspex or Lean Echo screens

Sizes: 800 / 1500 mm wide

www.jasonl.com.au

Need help!
Call us on
1300 527 665

jason.l
your office furniture mate



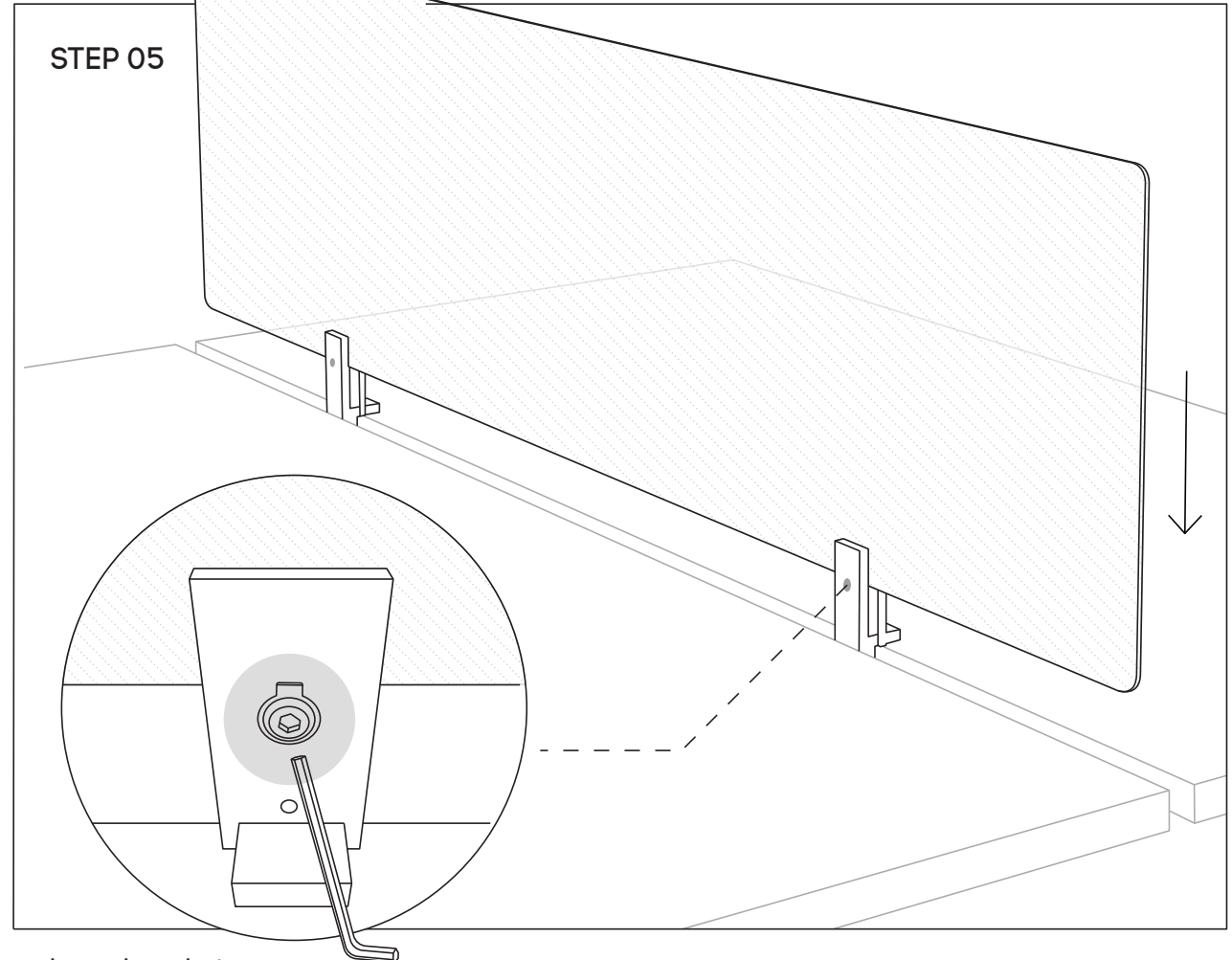
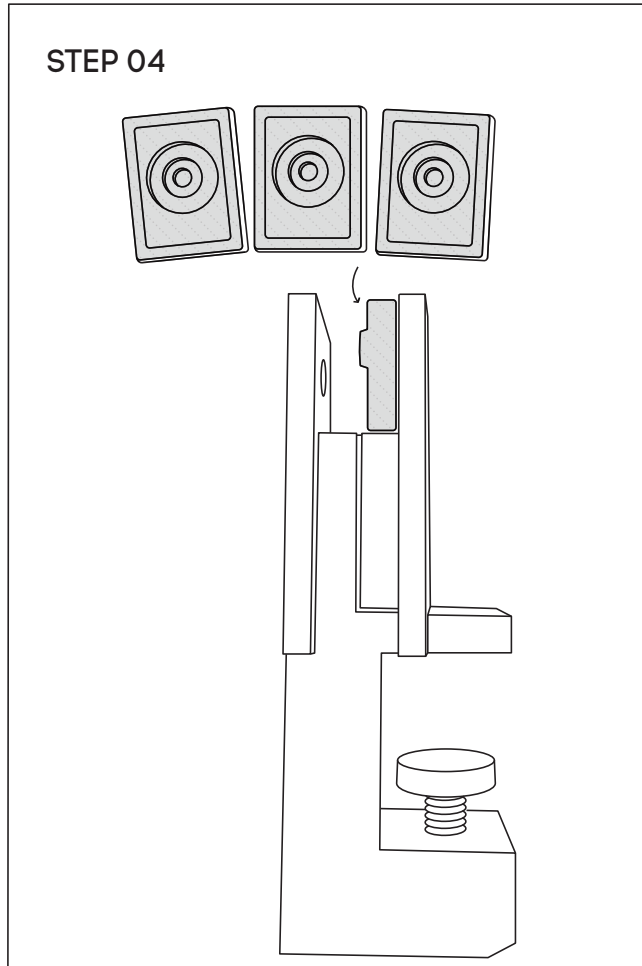
Step 2: Once desired location is set, please tighten the first pincer clamp bracket bottom screw using an allen key.

Step 3: Repeat step 2 and assemble the second pincer clamp bracket.

Lean perspex or Lean Echo screens

Sizes: 800 / 1500 mm wide

Need help!
Call us on
1300 527 665



Step 4: Please put the plastic spacer in between the clamp brackets.

Hint: Lean Perspex use both thicker plastic spacers. Lean Echo screen use 1x thick & 1x thin plastic spacer.

Step 5: Please slide down Lean Perspex or Lean Echo screens down until it fully rest over the brackets, standing between the pincer clamp brackets. Please use both plastic spacer to clamp the screen and tighten it using an allen key.