

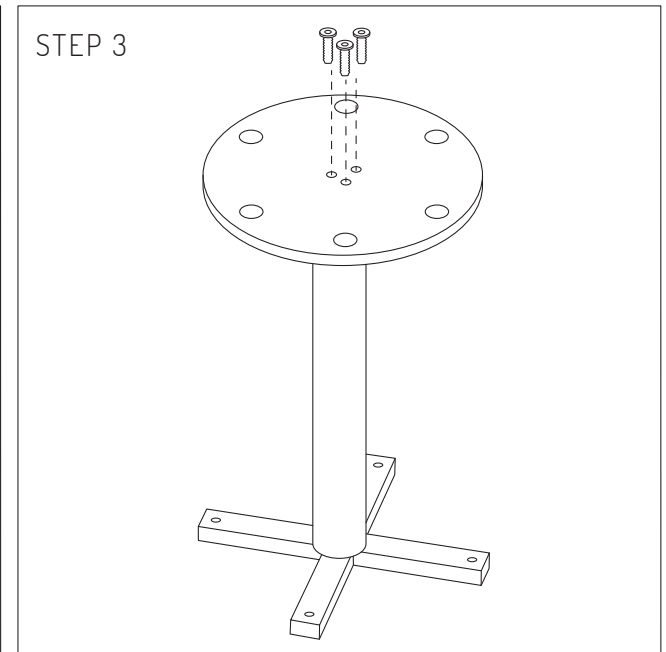
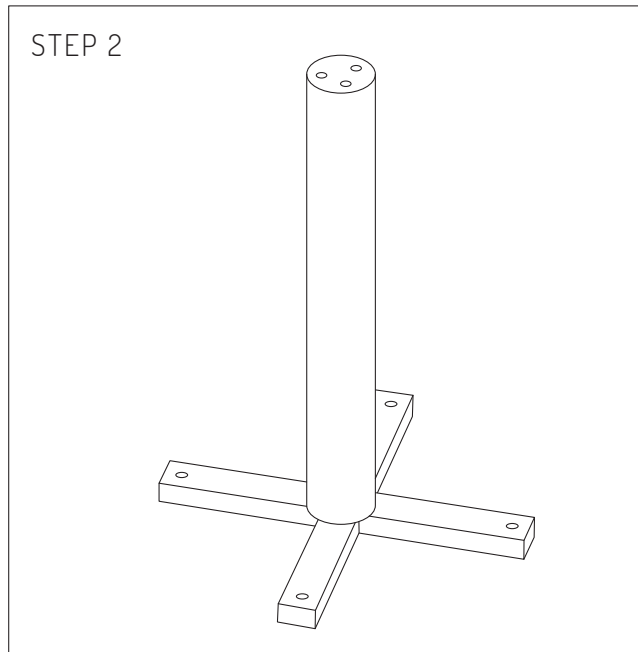
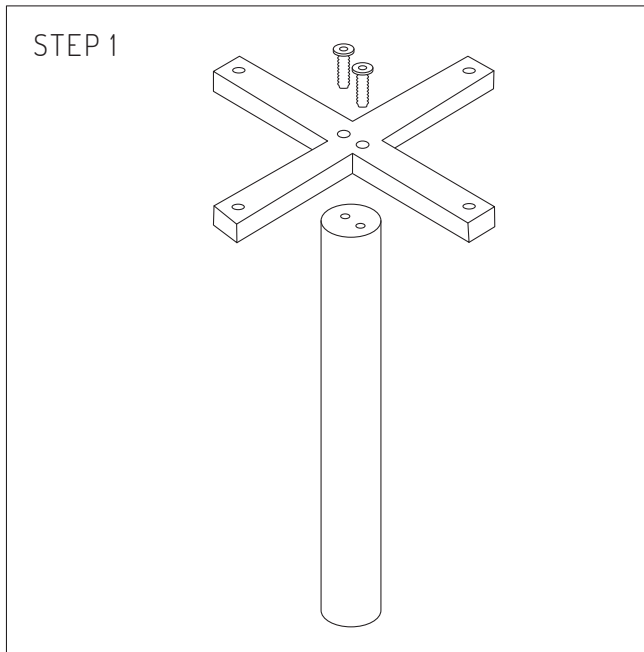
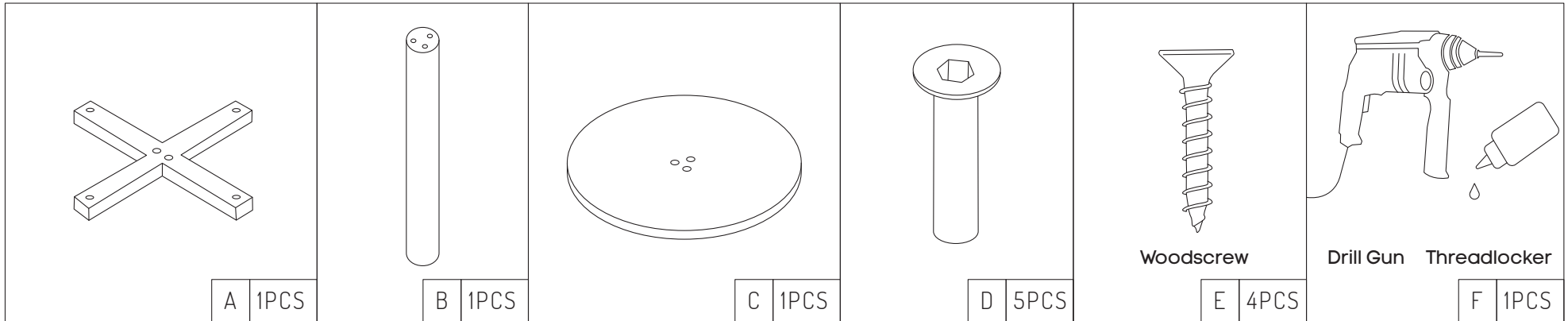
ASSEMBLY INSTRUCTIONS

Sapphire Disc Base L

www.jasonl.com.au

Need help!
Call us on
1300 527 665

jason.l
your office furniture mate



Note: To achieve the best results, we strongly recommend using an impact drill gun together with thread locking all screws.

ASSEMBLY INSTRUCTIONS

Sapphire Disc Base L

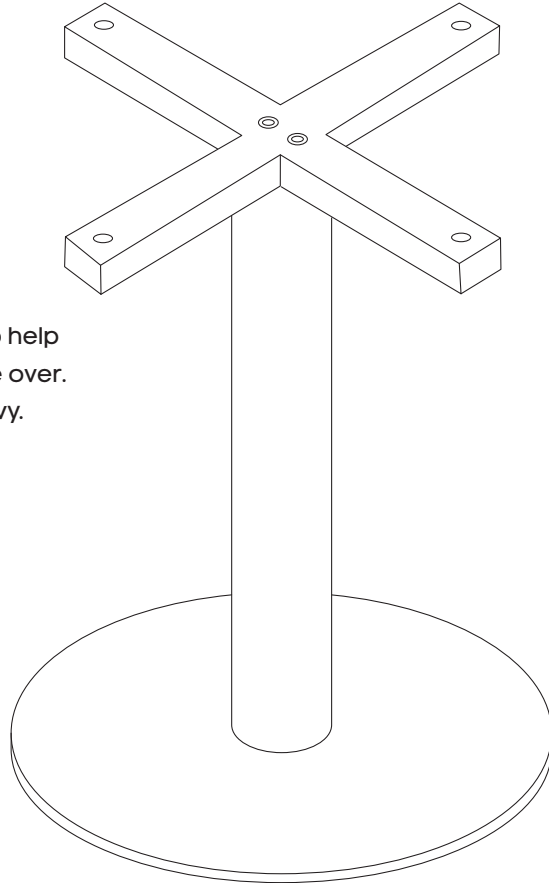
www.jasonl.com.au

Need help!
Call us on
1300 527 665

jason.l
your office furniture mate



STEP 4



Ask a second person to help turn the table and base over.

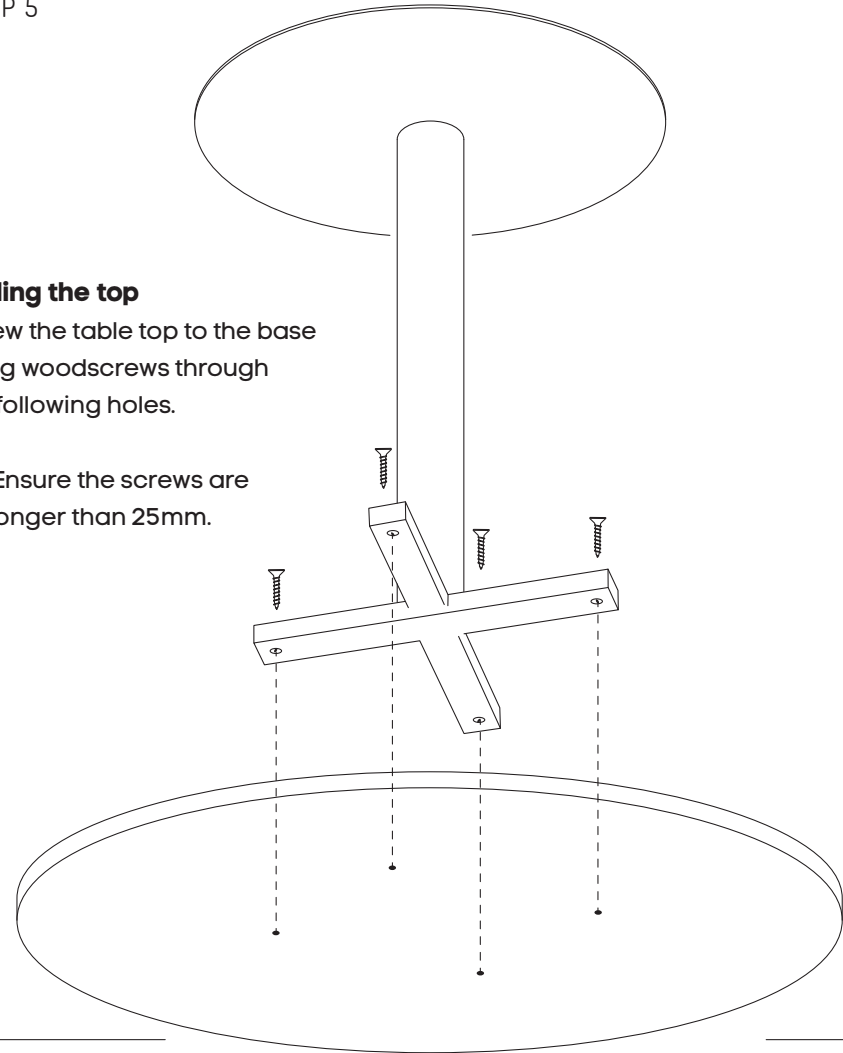
Careful: tables are heavy.

STEP 5

Adding the top

Screw the table top to the base using woodscrews through the following holes.

NB: Ensure the screws are no longer than 25mm.



Note: To achieve the best results, we strongly recommend using an impact drill gun together with thread locking all screws.