

ASSEMBLY INSTRUCTIONS

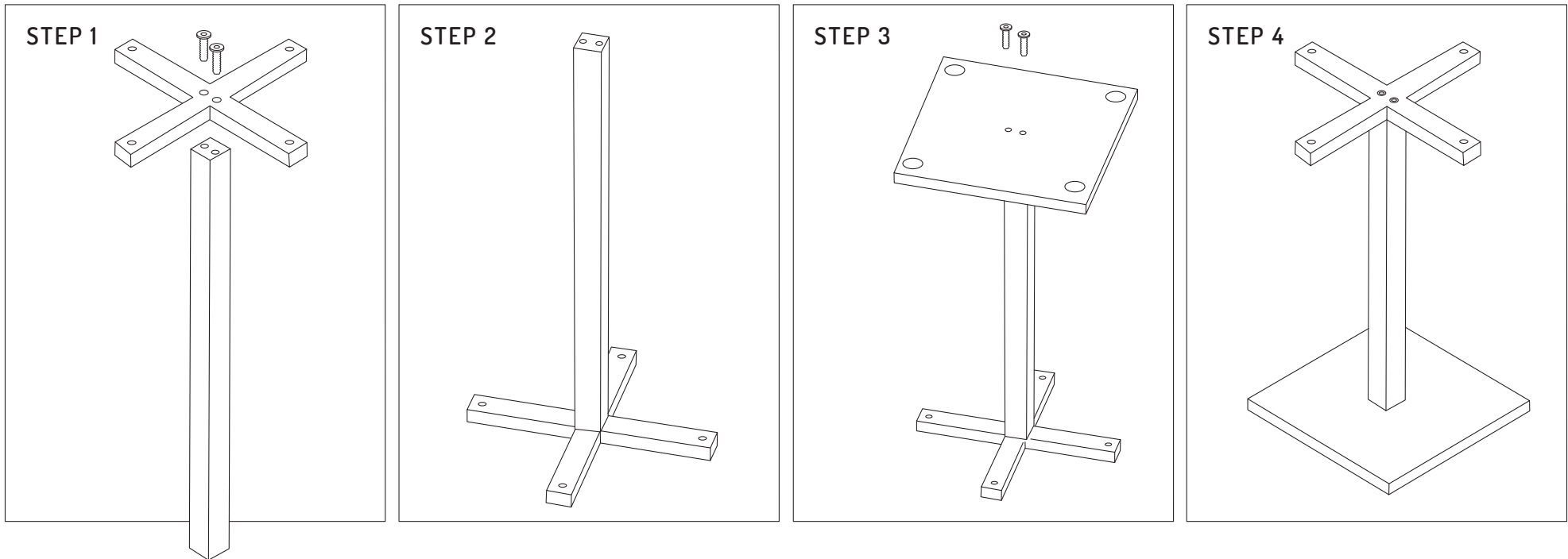
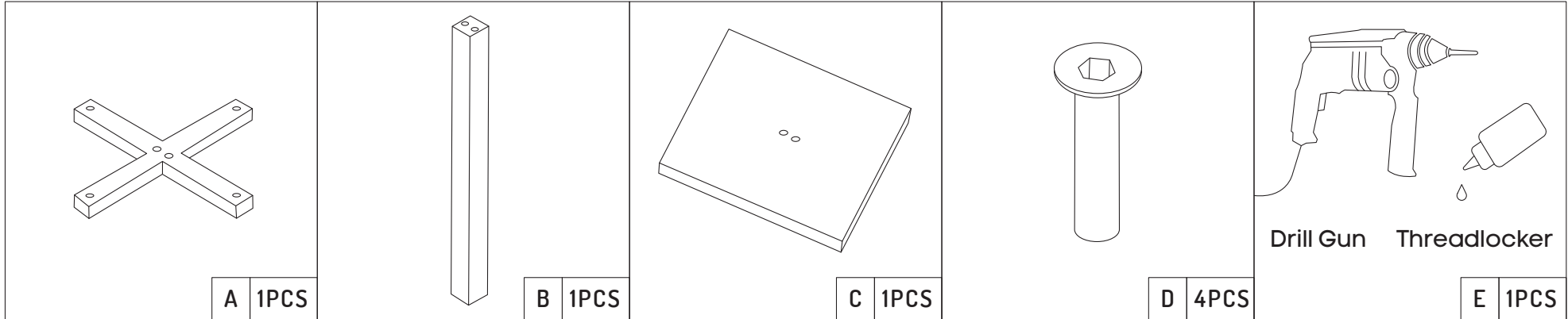
Disc Sapphire Height Base

www.jasonl.com.au

Need help!

Call us on
1300 527 665

jason.l
your office furniture mate



Note: To achieve the best results, we strongly recommend using an impact drill gun together with thread locking all screws.