

INSTALLATION GUIDE

San Fran System Square Boardroom Table

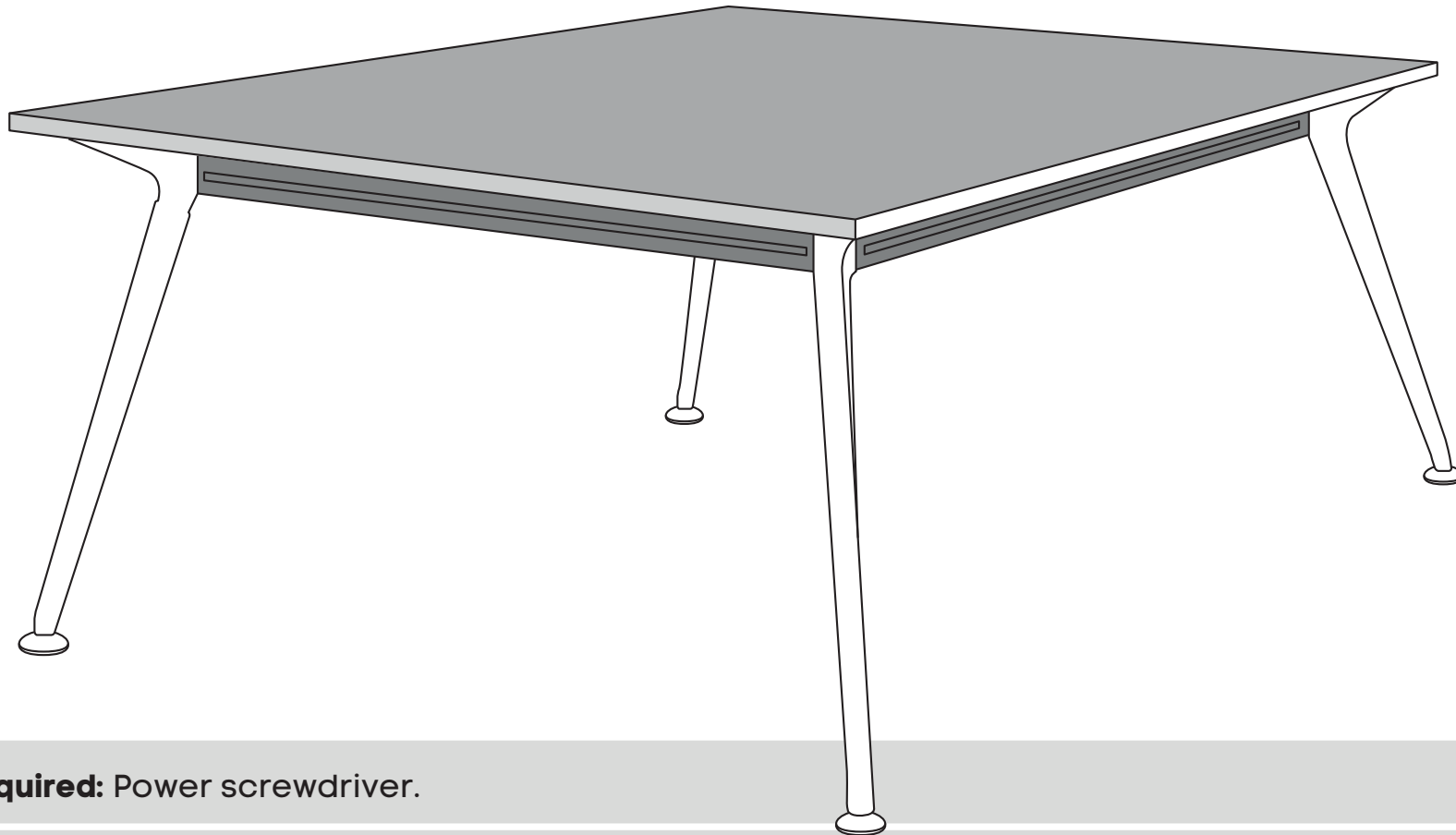
Size: 1200mm

www.jasonl.com.au

Need help!

Call us on
1300 527 665

jason.l
your office furniture mate



Tools Required: Power screwdriver.

Special Note: Please ignore any pre-drilled holes or nut inserts that maybe present in your top(s). They will not match your particular table/desk base and woods screws will be required to be screwed directly into the underside of the top.

INSTALLATION GUIDE

San Fran System Square Boardroom Table

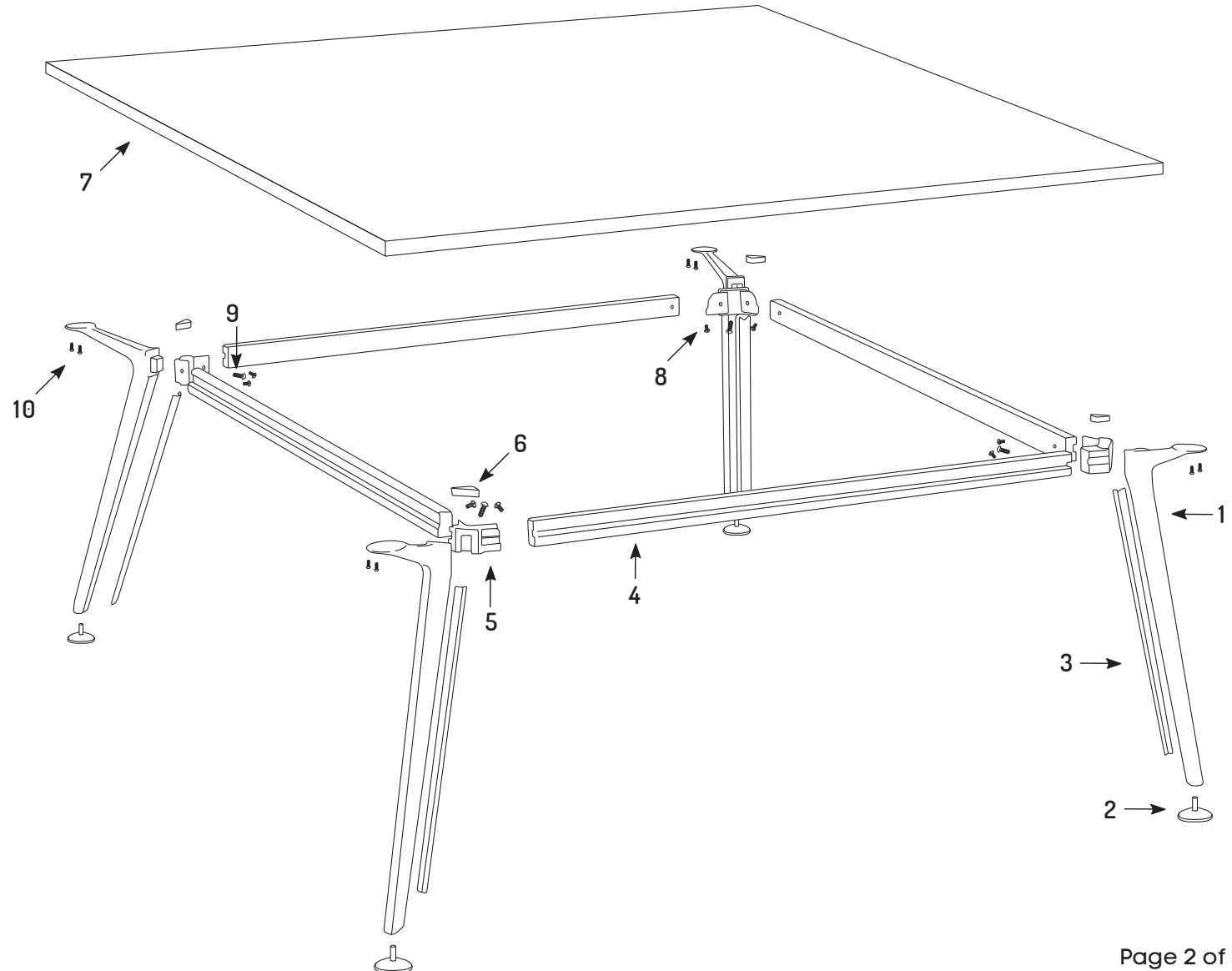
Size: 1200mm

www.jasonl.com.au

Need help!

Call us on
1300 527 665

jason.l
your office furniture mate



COMPONENTS

- 1 Leg x4
- 2 Adjustable Foot x4
- 3 Leg Cable Cover x4
- 4 Beams x4 (690 mm)
- 5 2 Way Connector x4
- 6 2 Way Connector Cap x4
- 7 Table Top x1 (1200 mm)

SCREWS

- 8 M8x20mm Dome Head x8
- 9 M8x20mm Cap Head x4
- 10 M5x20mm Self Tapping x14

INSTALLATION GUIDE

San Fran System

Square Boardroom Table

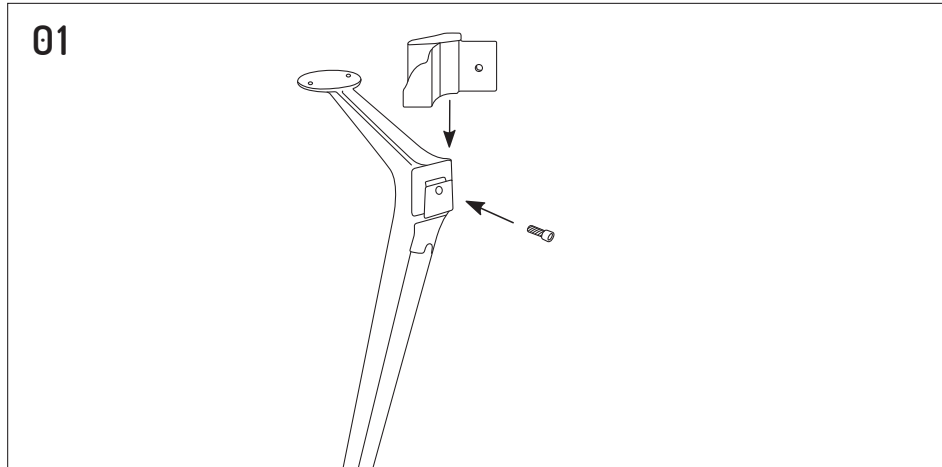
Size: 1200mm

www.jasonl.com.au

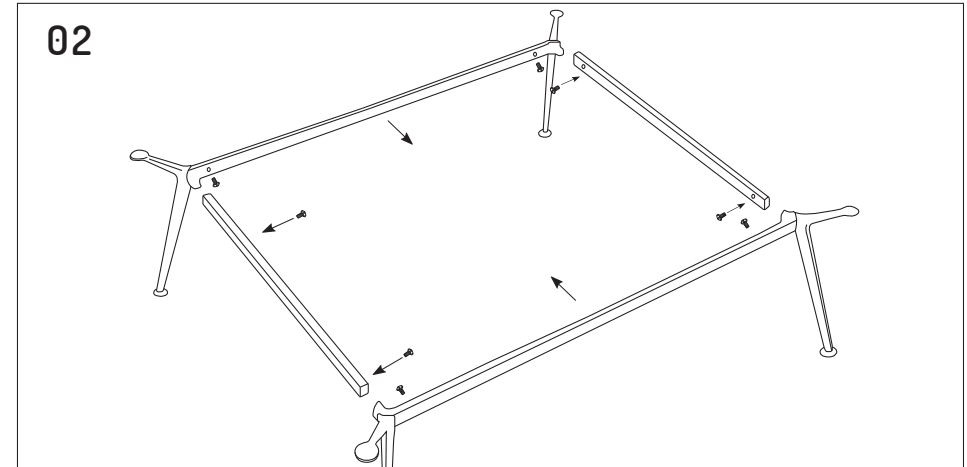
Need help!

Call us on
1300 527 665

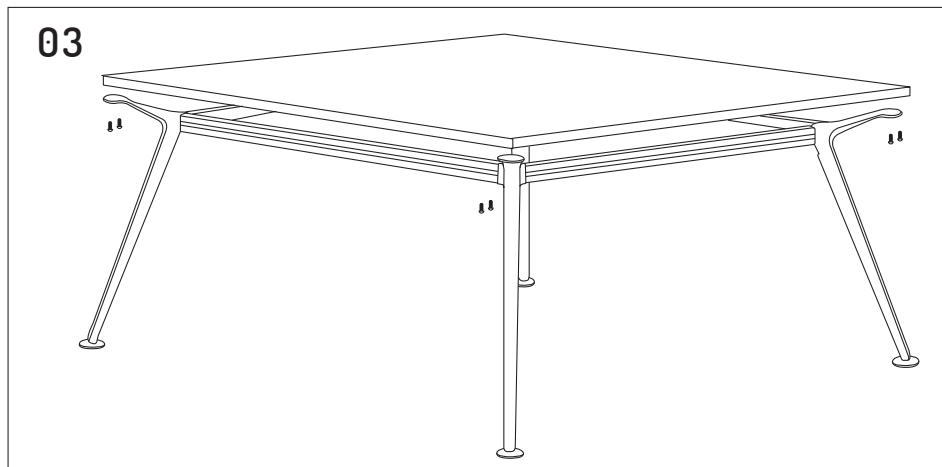
jason.l
your office furniture mate



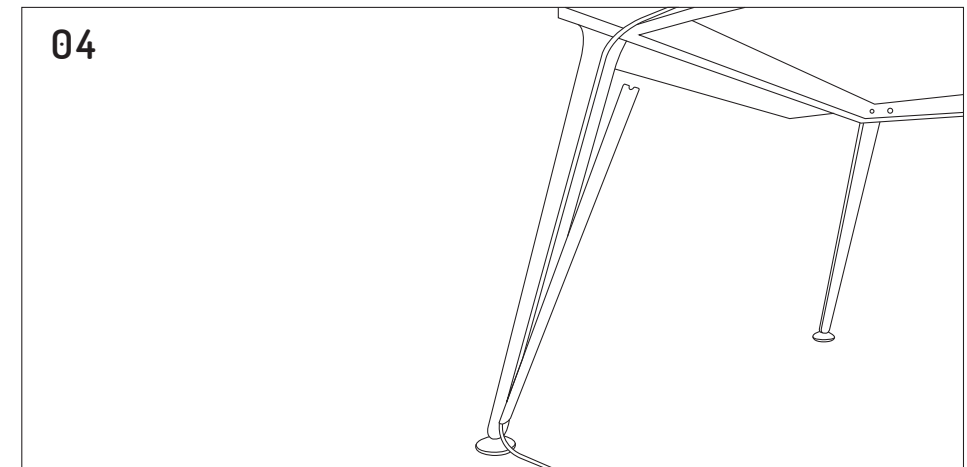
Slide the 2 way connectors over each leg, and securely lock into place using M8x20mm cap head bolts.



Securely connect legs to beams lengths using the shorter M8x20mm dome head bolts.



Ensure the work surface is centered over the frame. Fully tighten all M5x20mm self tapping screws through each leg into the work surface.



Conceal any power cable using the magnetic leg cable covers.