

INSTALLATION GUIDE

San Fran Boardroom

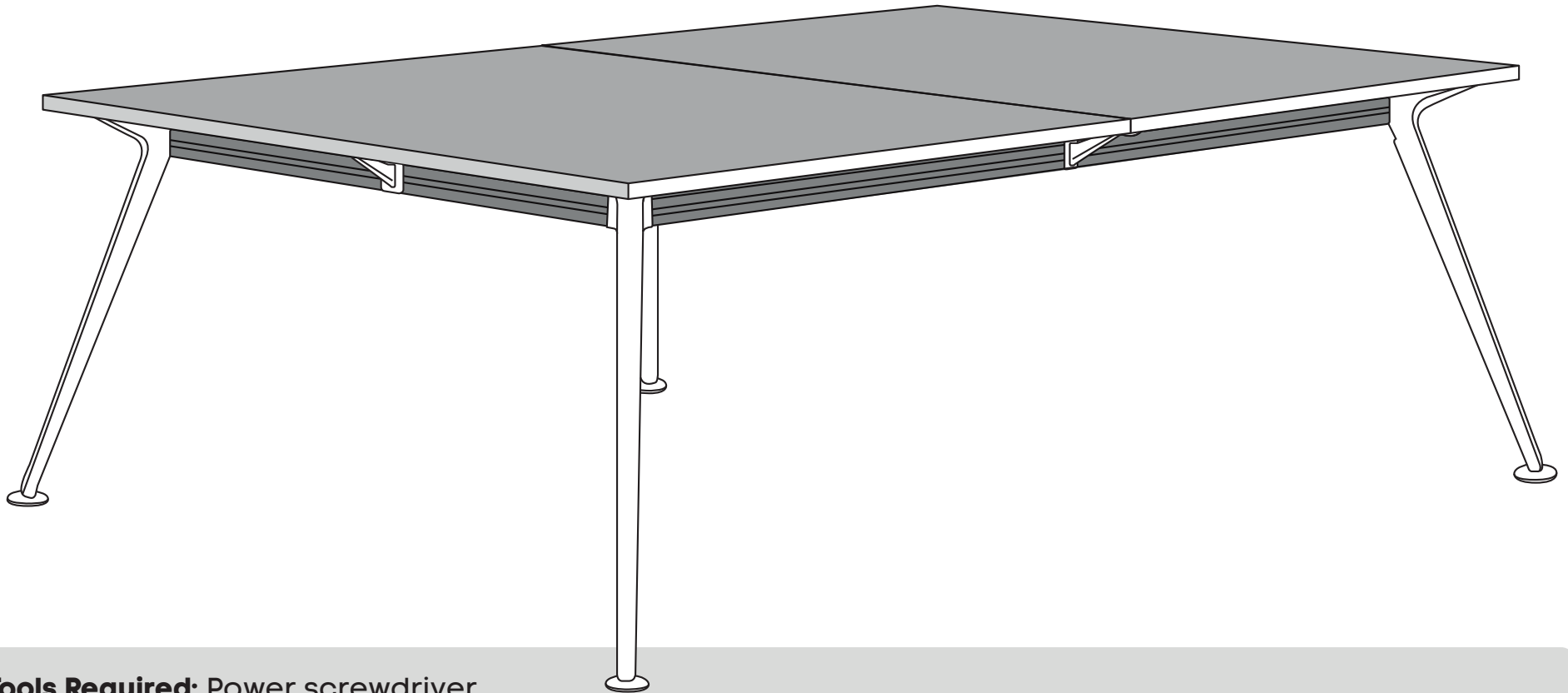
Size: 2400x1200 mm

www.jasonl.com.au

Need help!

Call us on
1300 527 665

jason.l
your office furniture mate



Tools Required: Power screwdriver.

Special Note: Please ignore any pre-drilled holes or nut inserts that maybe present in your top(s). They will not match your particular table/desk base and woods screws will be required to be screwed directly into the underside of the top.

INSTALLATION GUIDE

San Fran Boardroom

Size: 2400x1200 mm

www.jasonl.com.au

Need help!

Call us on
1300 527 665

jason.l
your office furniture mate

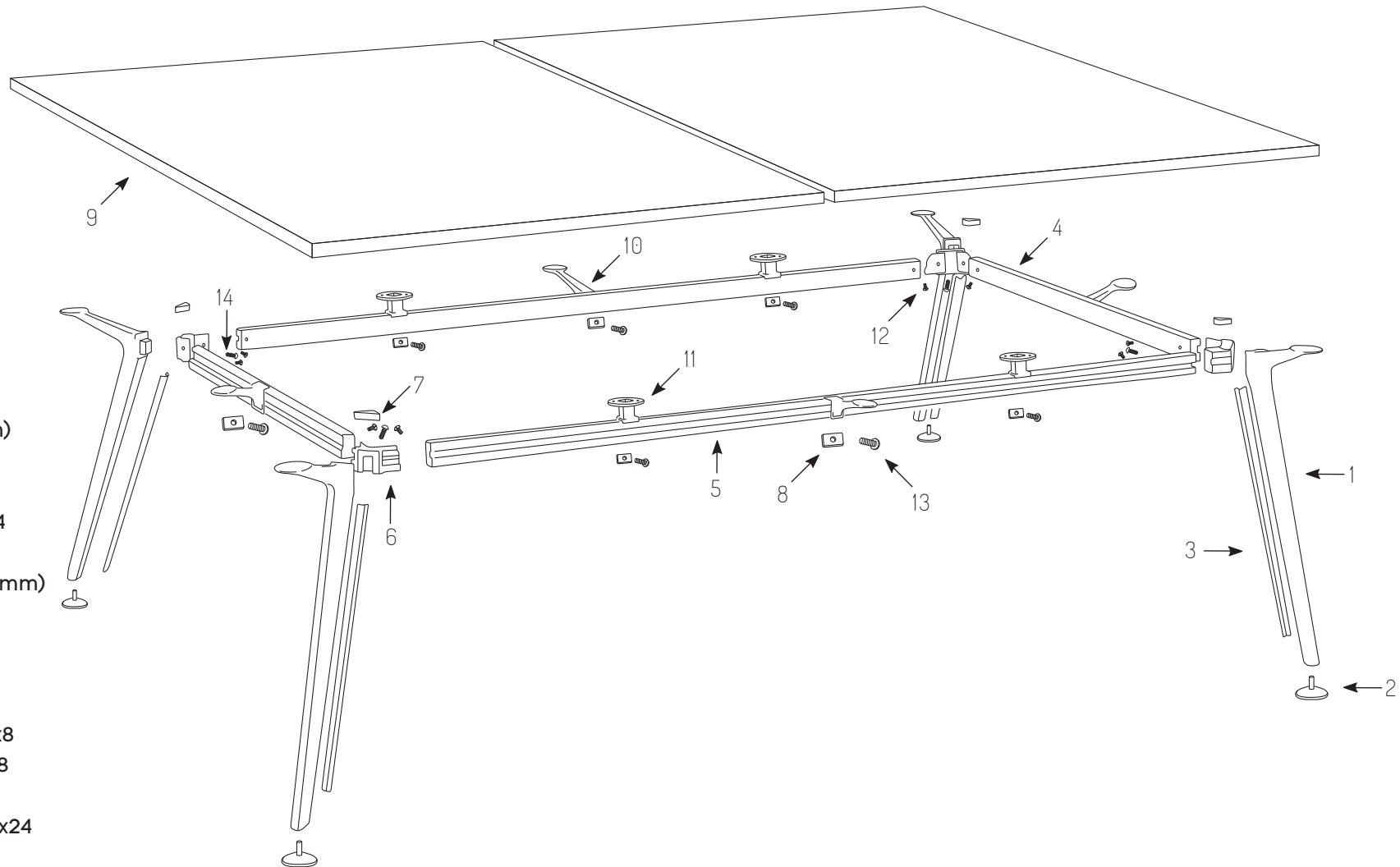


COMPONENTS

- 1 Leg x4
- 2 Adjustable Foot x4
- 3 Leg Cable Cover x4
- 4 Rail Lengths x2 (1890mm)
- 5 Rail Widths x2 (620mm)
- 6 2 Way Connector x4
- 7 2 Way Connector Cap x4
- 8 Slot Nut x2
- 9 Table Top x2 (1200x1200mm)
- 10 Support Connector x4
- 11 Support Bracket x4

SCREWS

- 12 M8x20mm Dome Head x8
- 13 M8x12mm Dome Head x8
- 14 M8x20mm Cap Head x4
- 15 M5x20mm Self Tapping x24



INSTALLATION GUIDE

San Fran Boardroom

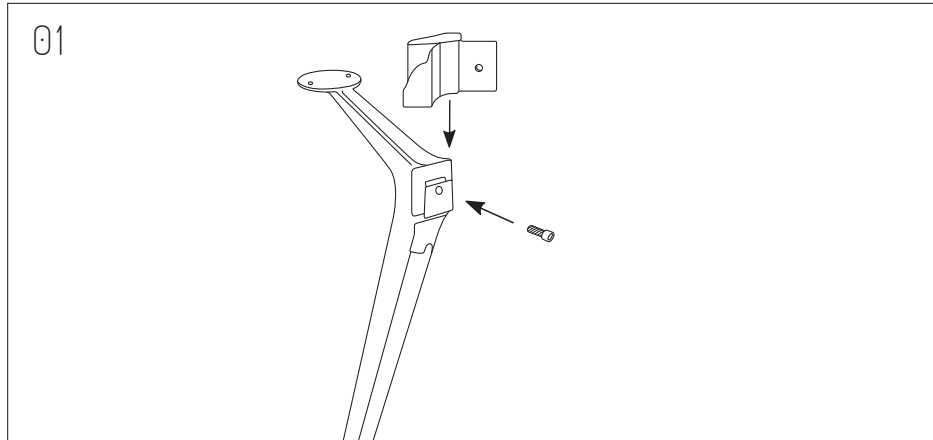
Size: 2400x1200 mm

www.jasonl.com.au

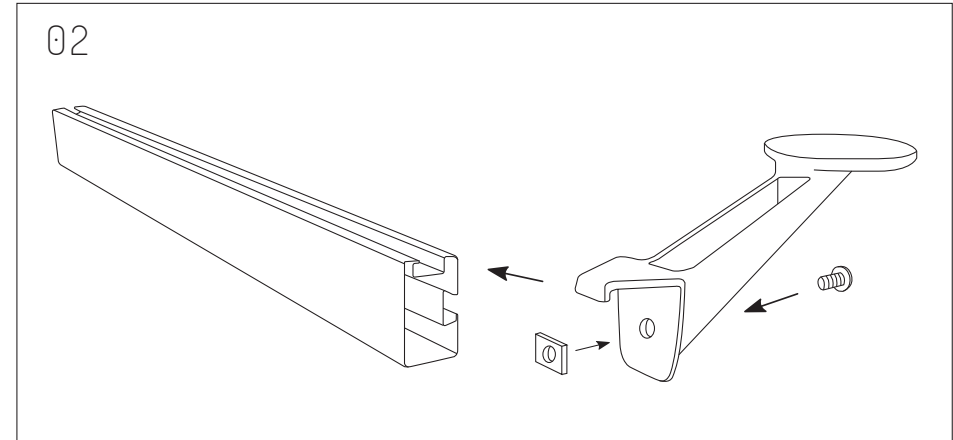
Need help!

Call us on
1300 527 665

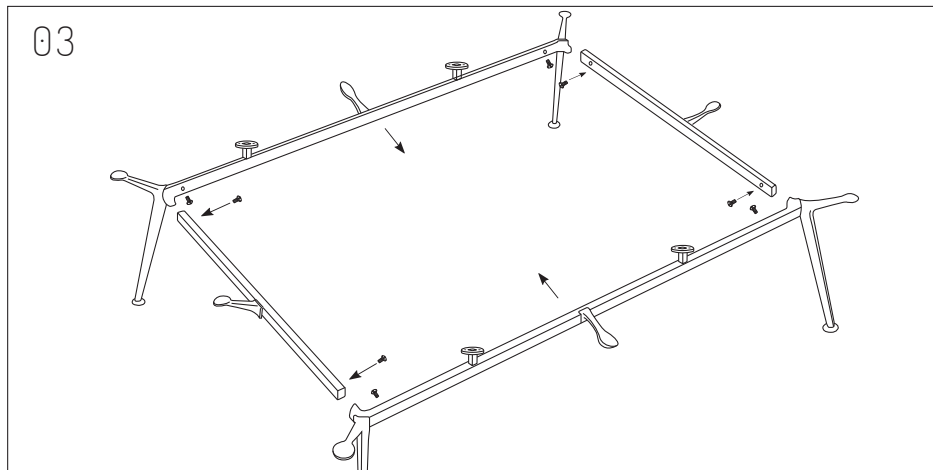
jason.l
your office furniture mate



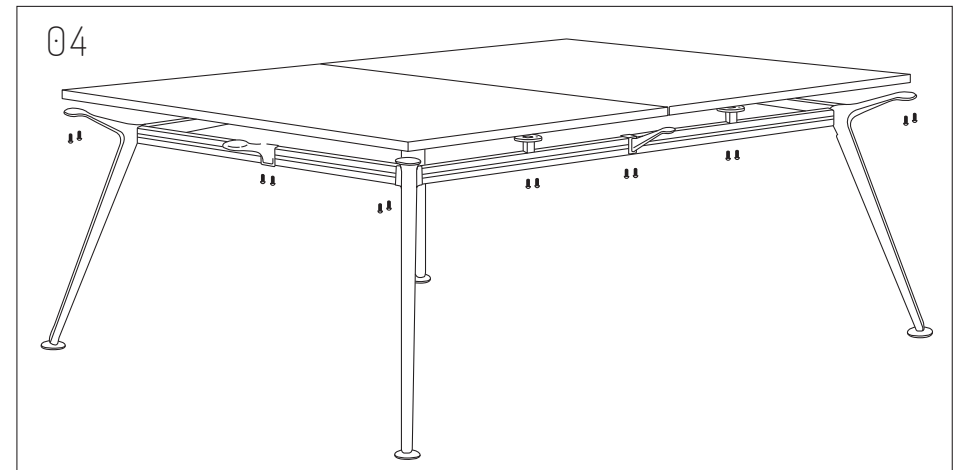
Slide the 2 way connectors over each leg, and securely lock into place using M8x20mm cap head bolts.



Loosely connect the shorter M8x12mm dome head bolt and slot nut through the metal rail spacer bracket. Slide onto 620mm rails.



Securely connect legs to rails lengths using the shorter M8x20mm dome head bolts.



Ensure the worksurface is centered over the frame. Fully tighten all M5x20mm self tapping screws through each leg and support bracket into the worksurface.

INSTALLATION GUIDE

San Fran Boardroom

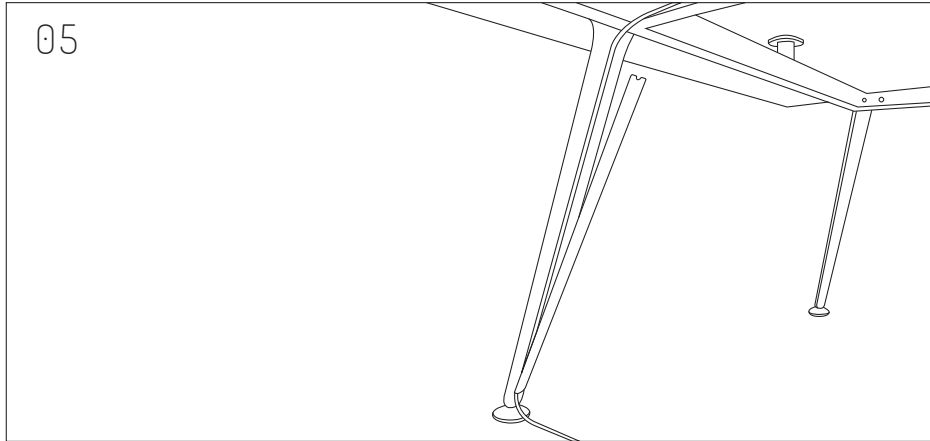
Size: 2400x1200 mm

www.jasonl.com.au

Need help!

Call us on
1300 527 665

jason.l
your office furniture mate



Conceal any power cable using the magnetic leg cable covers.

