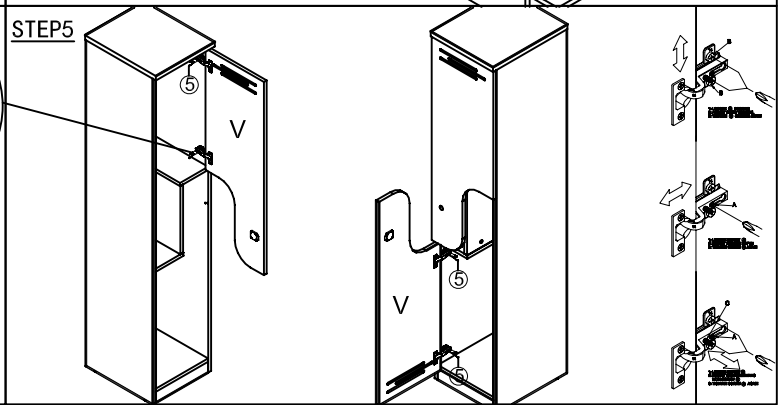
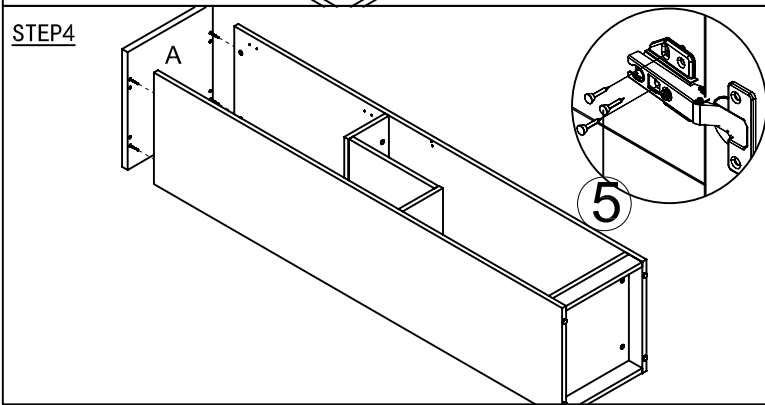
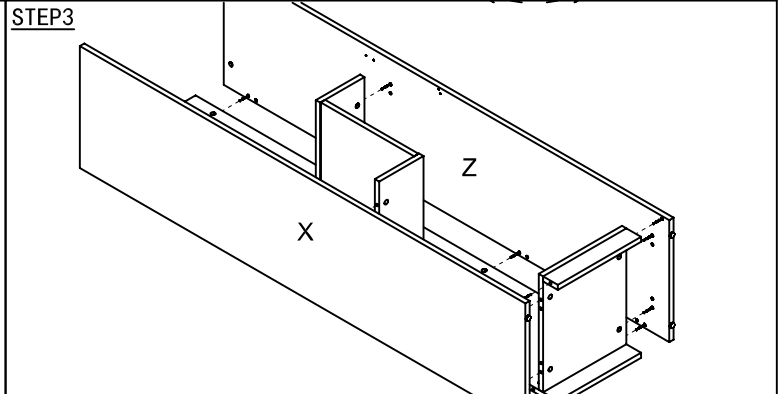
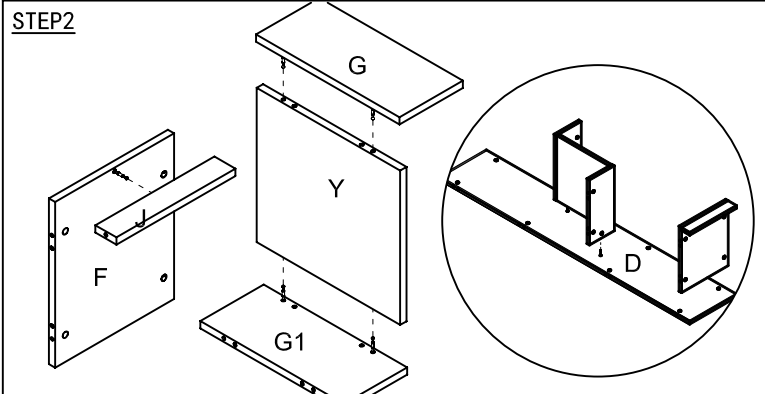
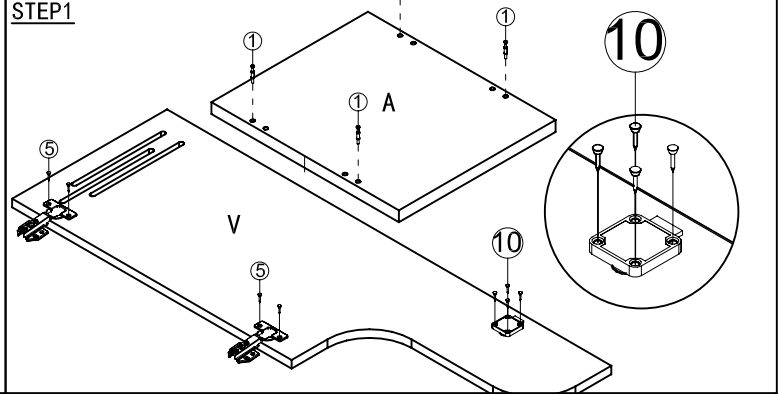
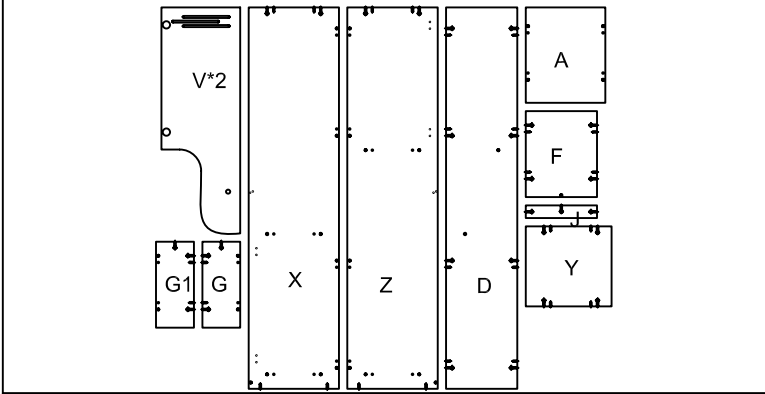
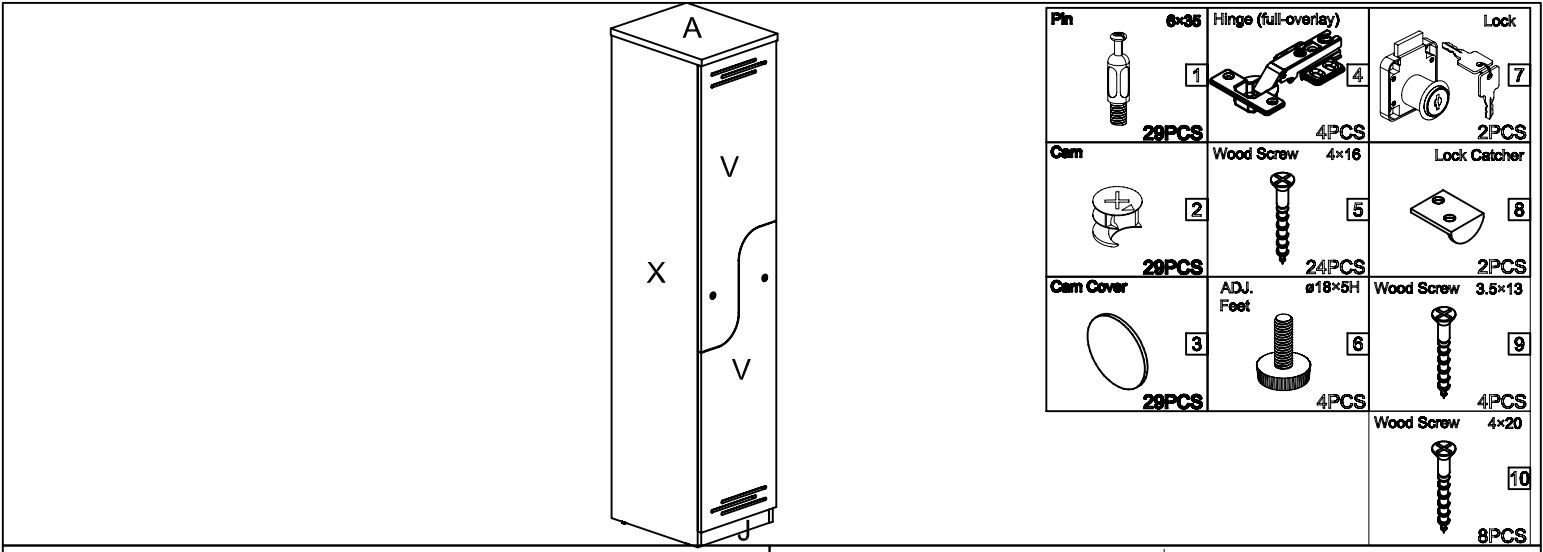


ASSEMBLY INSTRUCTIONS
Sonic Step Door
Melamine Locker

www.jasonl.com.au

Need help!
 Call us on
1300 527 665

jason.l
 your office furniture mate



IMPORTANT NOTE:

- Place all laminated parts on a clean and smooth surface such as a rug or carpet to avoid the parts from being scratched.
- Check to be sure that you have all parts and hardware.
- Remove all wrapping materials, including staples & packing straps before you start to assemble.
- Don't tighten all screws/bolts until all completely assembled.
- Keep all hardware parts out of reach of children

