

ASSEMBLY INSTRUCTIONS

Quadro Square Desk Frame

www.jasonl.com.au

Need help!

Call us on
1300 527 665

jason.l
your office furniture mate



Sizes:

1000x1000

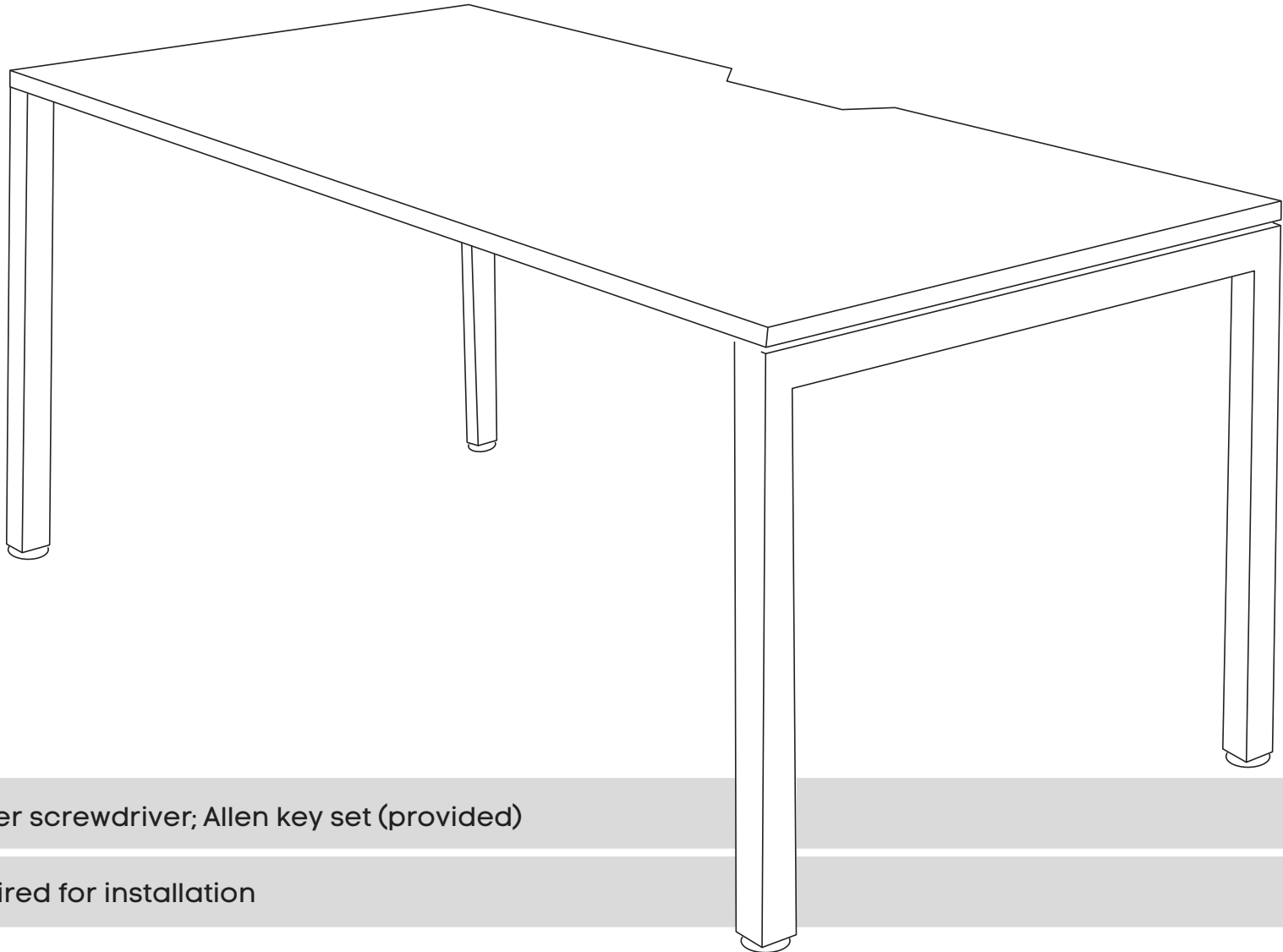
1200x800

1400x800

1600x800

1800x800

2000-2400x800



Tools Required: Power screwdriver; Allen key set (provided)



2 persons required for installation

ASSEMBLY INSTRUCTIONS

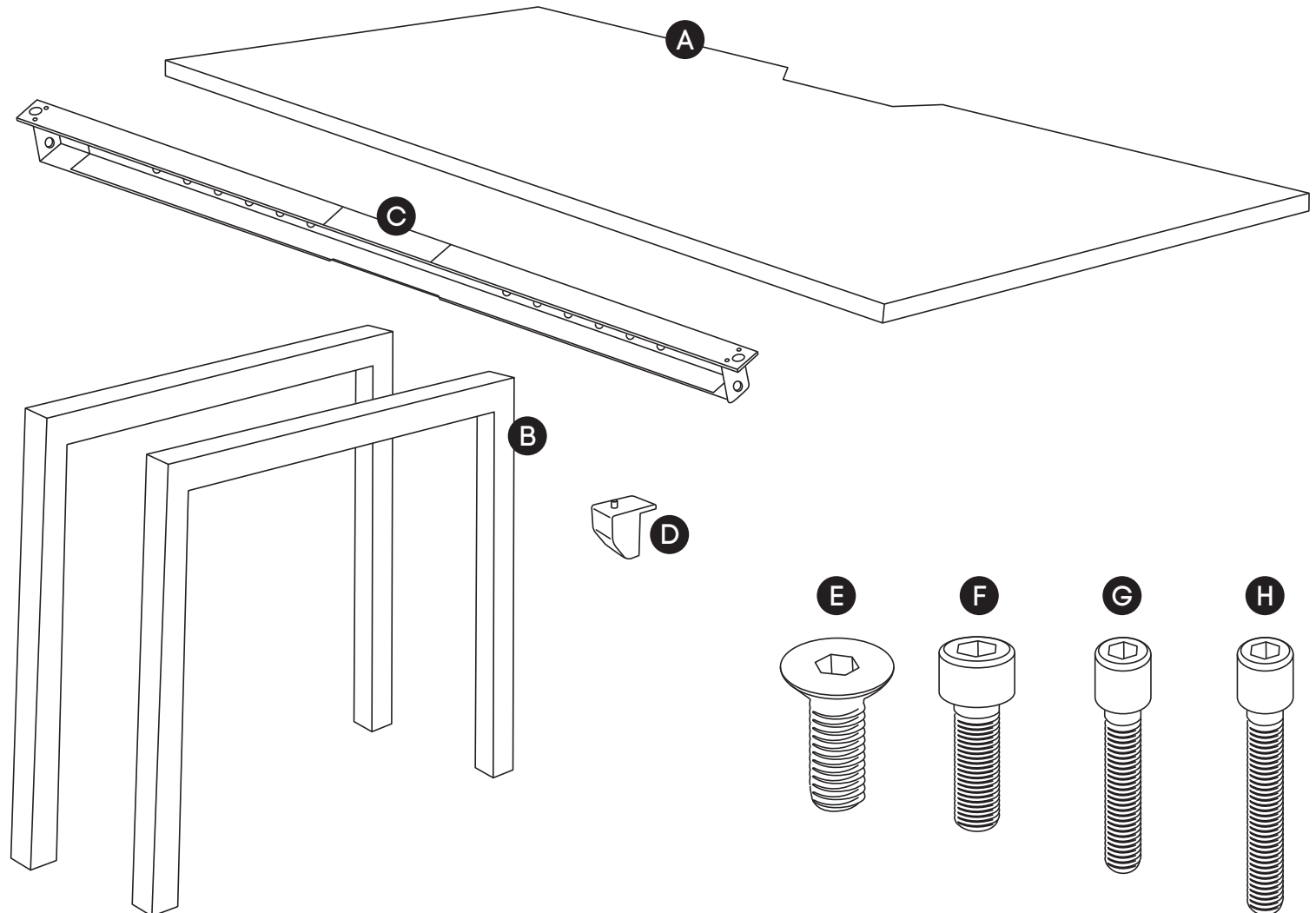
Quadro Square Desk Frame

www.jasonl.com.au

Need help!

Call us on
1300 527 665

jason.l
your office furniture mate



COMPONENTS

- A Table top x1
- B Legs Quadro Square x2
- C Beam x1 *
- D Plastic bracket x4

SCREWS

- E M8x20MM CSK x2
- F M8x20MM Socket head x2
- G M6x20MM Socket head x4
- H M6x30MM Socket head x4

- I Allen key x2

* Colour of the beam is always black, regardless desk frame colour.

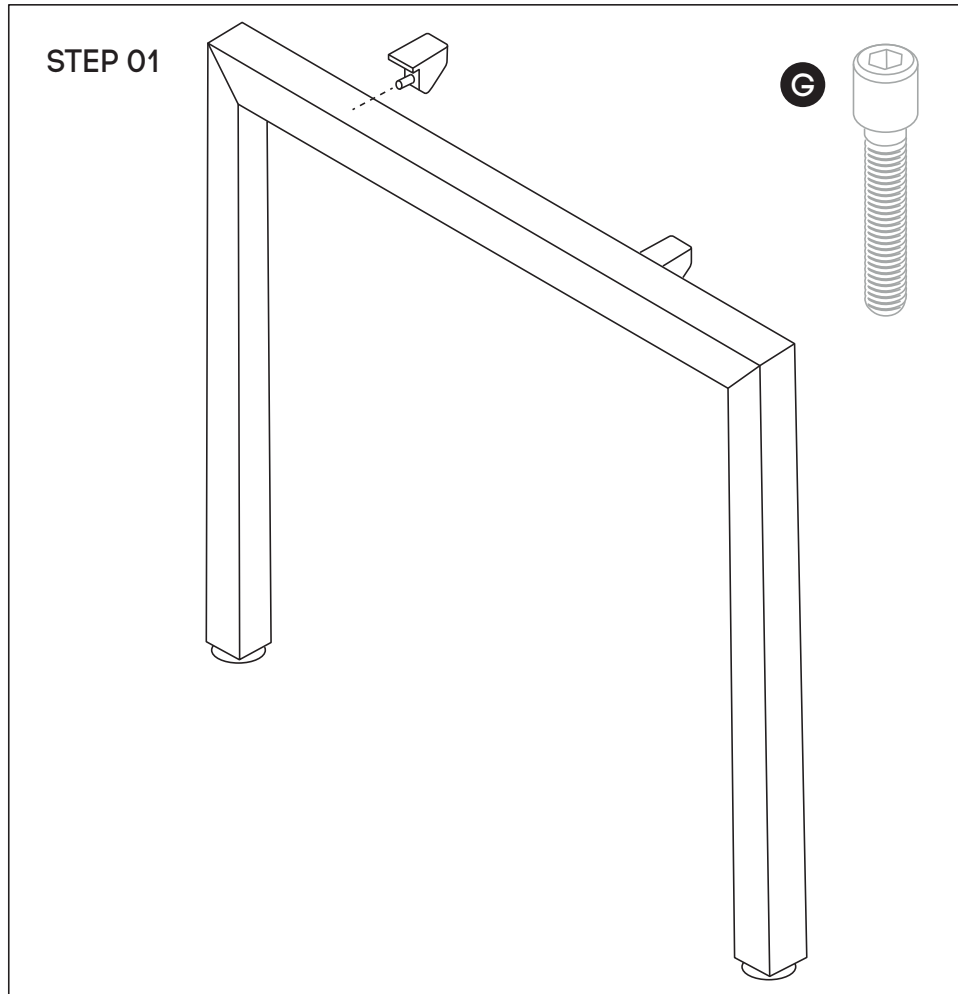
ASSEMBLY INSTRUCTIONS

Quadro Square Desk Frame

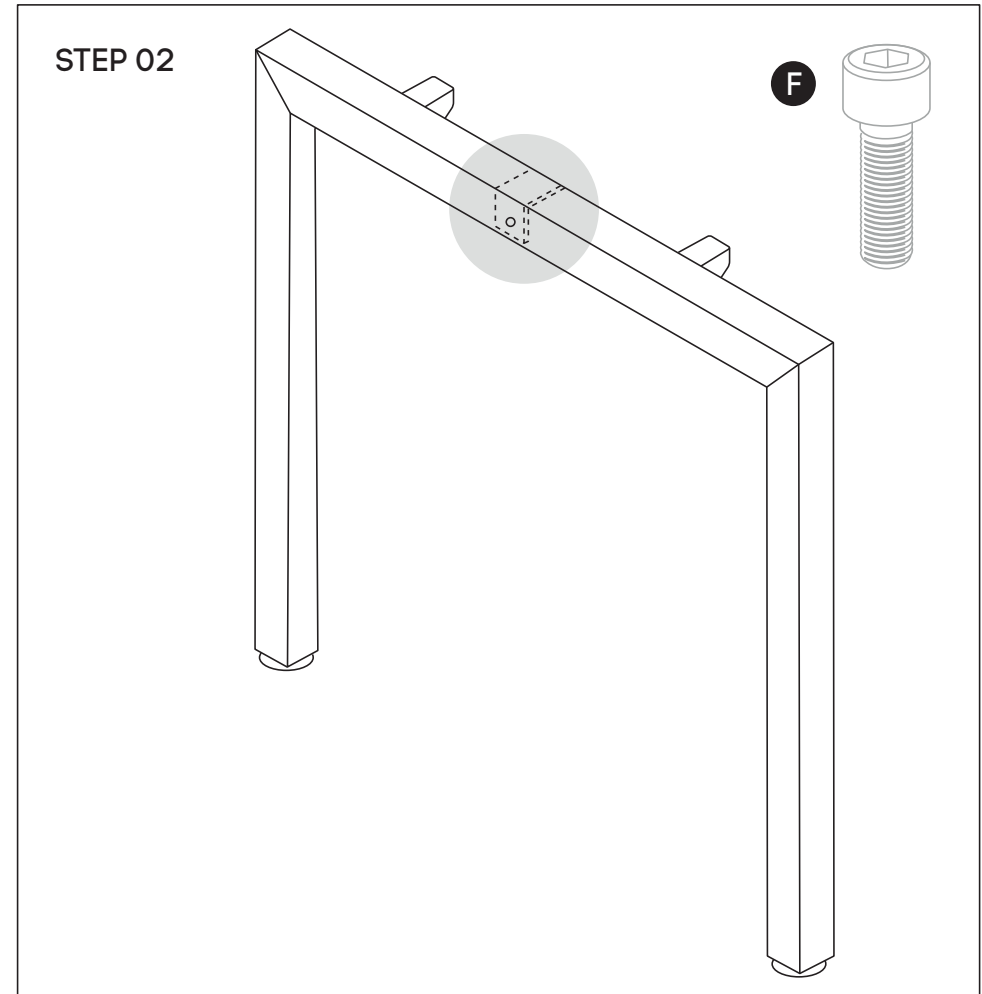
www.jasonl.com.au

Need help!
Call us on
1300 527 665

jason.l
your office furniture mate



Using Allen Key provided, attach 2 plastic brackets per leg **(D)** (as per picture above) using M6x20MM **(G)** Socket head screw



Using Allen Key provided, attach M8x20MM Socket head **(F)**-screw socket half way into leg for both legs **(B)**

ASSEMBLY INSTRUCTIONS

Quadro Square Desk Frame

www.jasonl.com.au

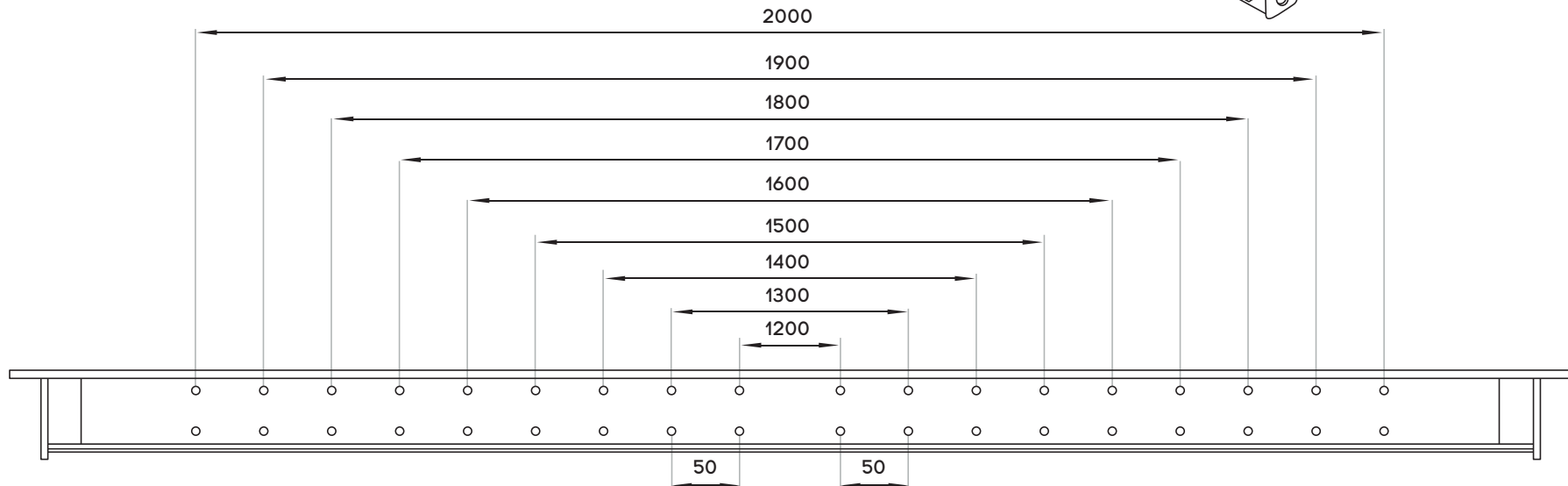
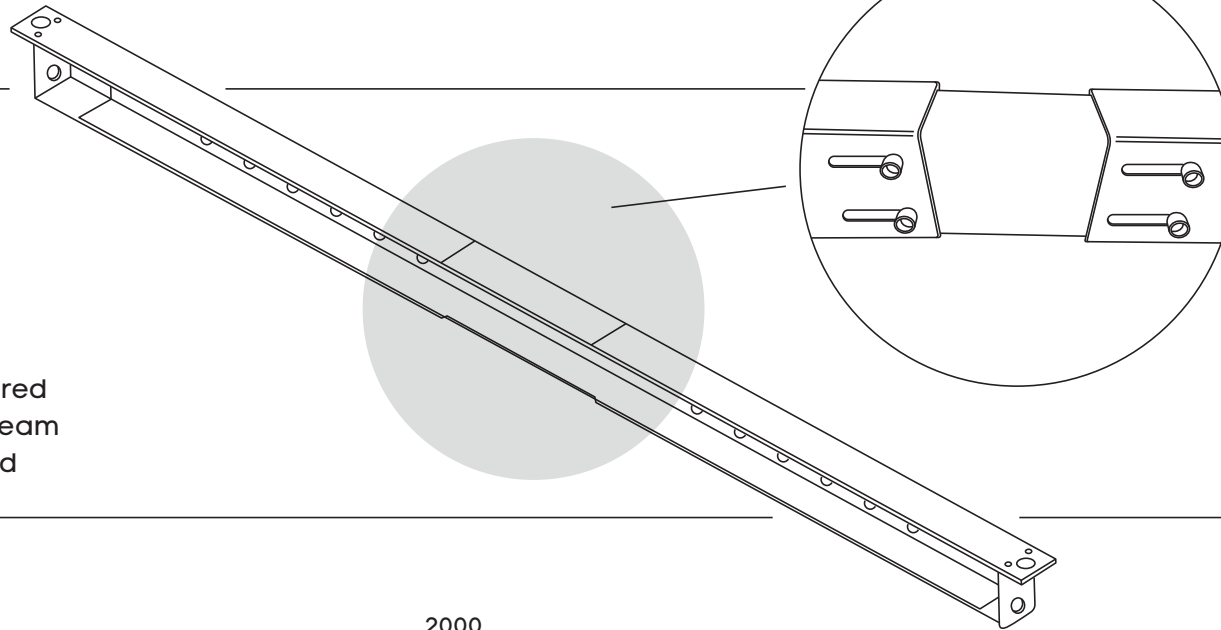
Need help!
Call us on
1300 527 665

jason.l
your office furniture mate



STEP 03

Adjust extendable beam (C) to desired length using markers and secure beam at that length using screws provided



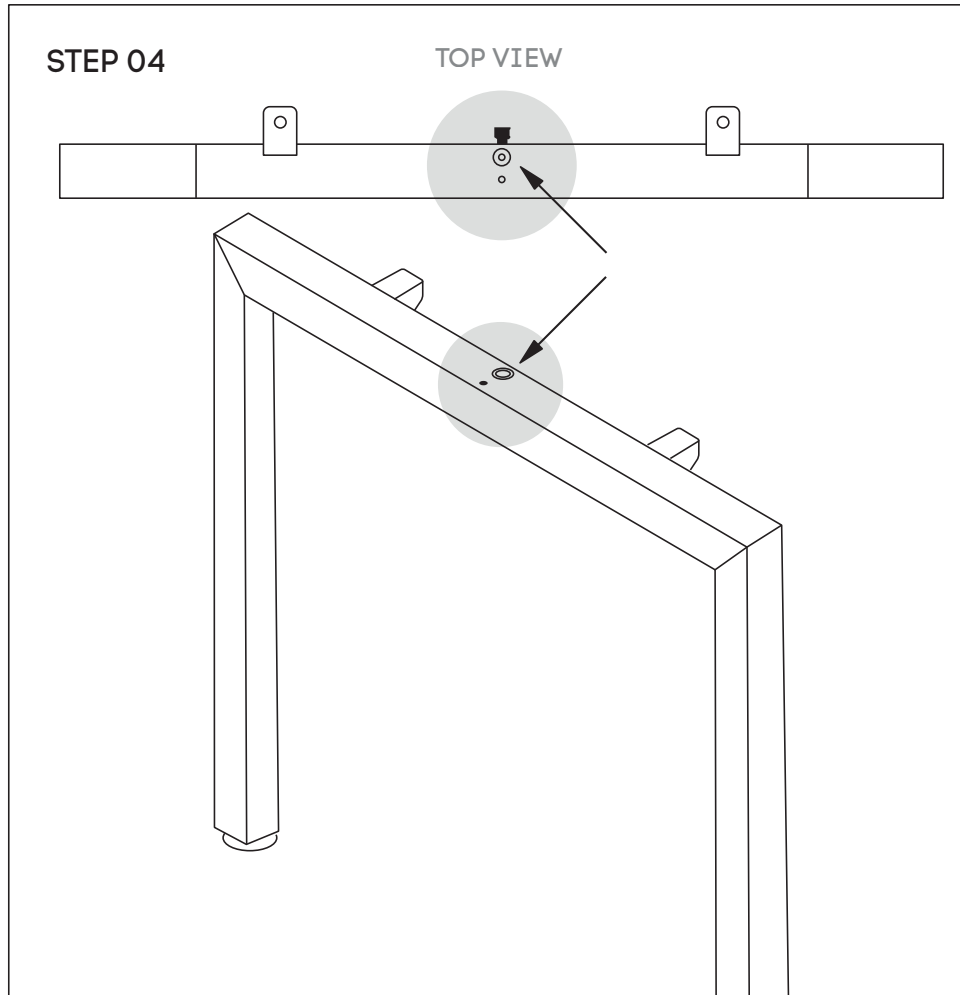
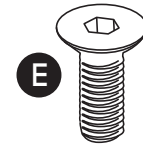
ASSEMBLY INSTRUCTIONS

Quadro Square Desk Frame

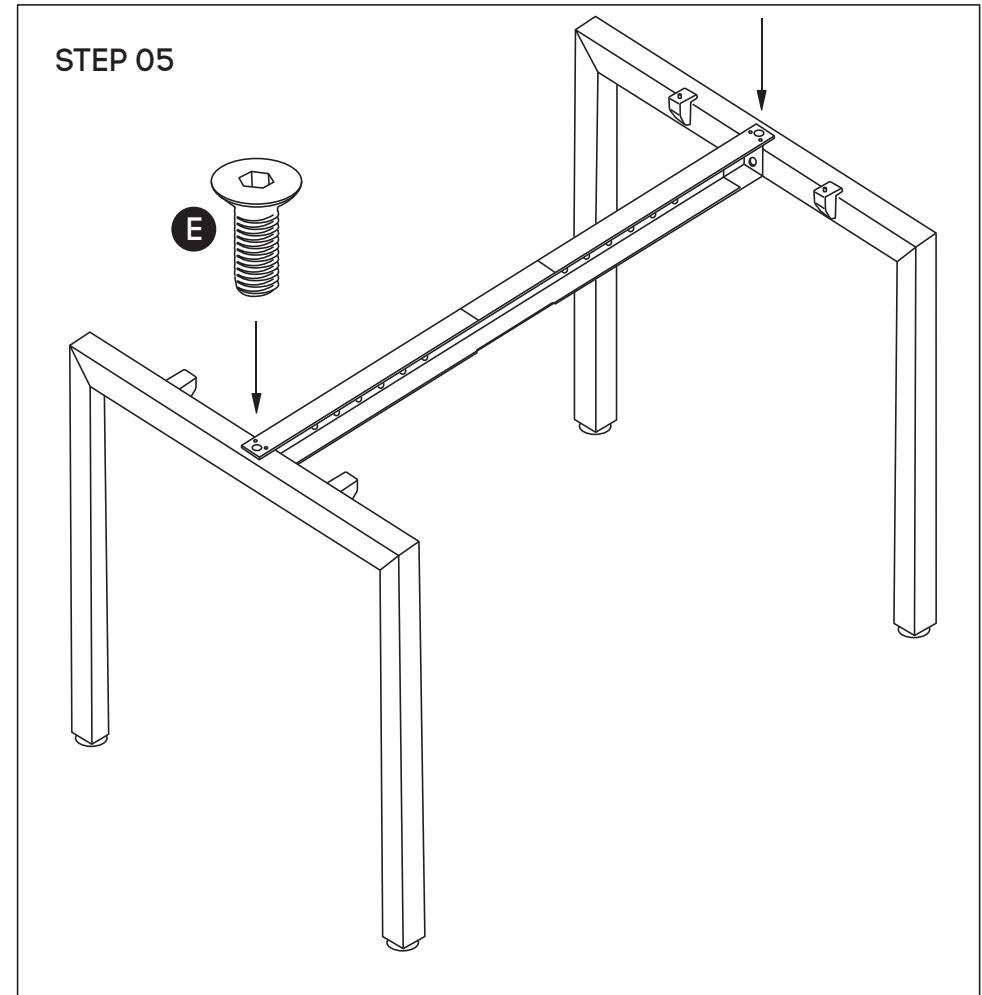
www.jasonl.com.au

Need help!
Call us on
1300 527 665

jason.l
your office furniture mate



Attach beam **(C)** to legs **(B)** using nut insert in legs.
See point attached



Frame looks like this. Using Allen Key, attach beam **(C)** with Socket **(E)**

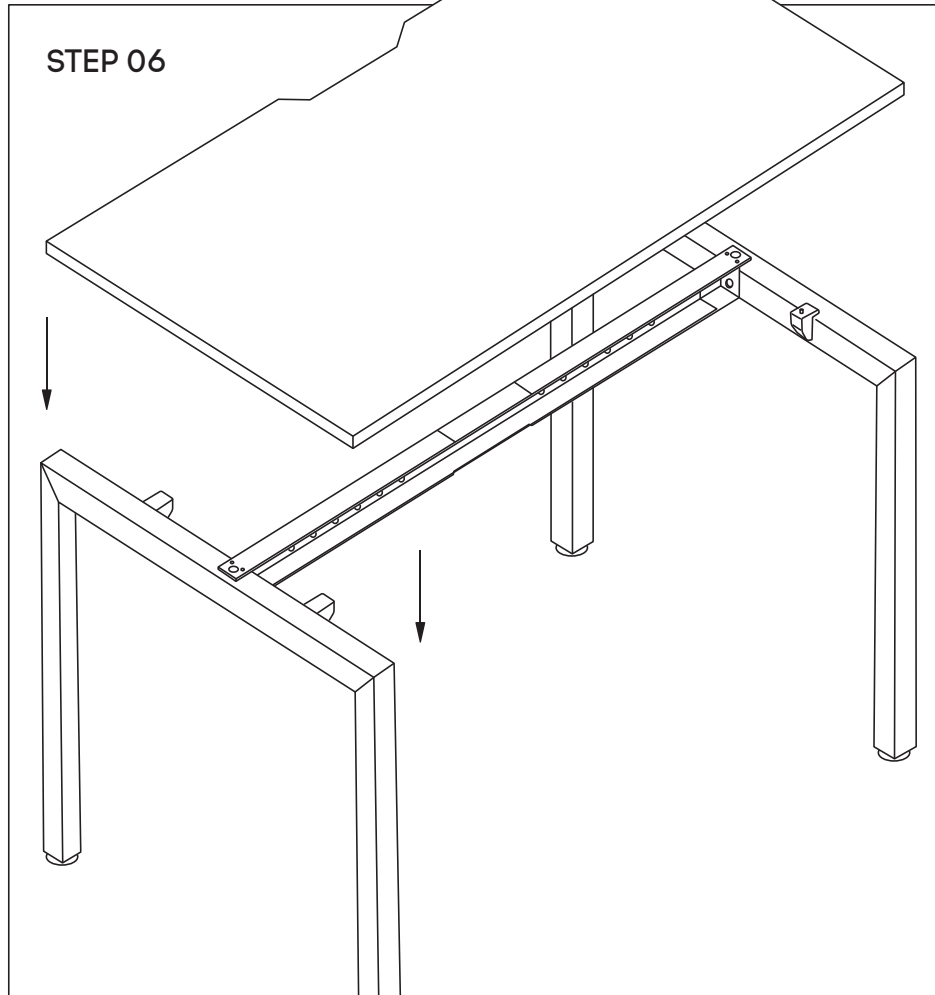
ASSEMBLY INSTRUCTIONS

Quadro Square Desk Frame

www.jasonl.com.au

Need help!
Call us on
1300 527 665

jason.l
your office furniture mate



Place desktop on top of frame - with cutout at the back of the desk.
Wood Screws to be drilled into the underneath Top.