

# ASSEMBLY INSTRUCTIONS

## Quadro Square Desk Frame

[www.jasonl.com.au](http://www.jasonl.com.au)

**Need help!**

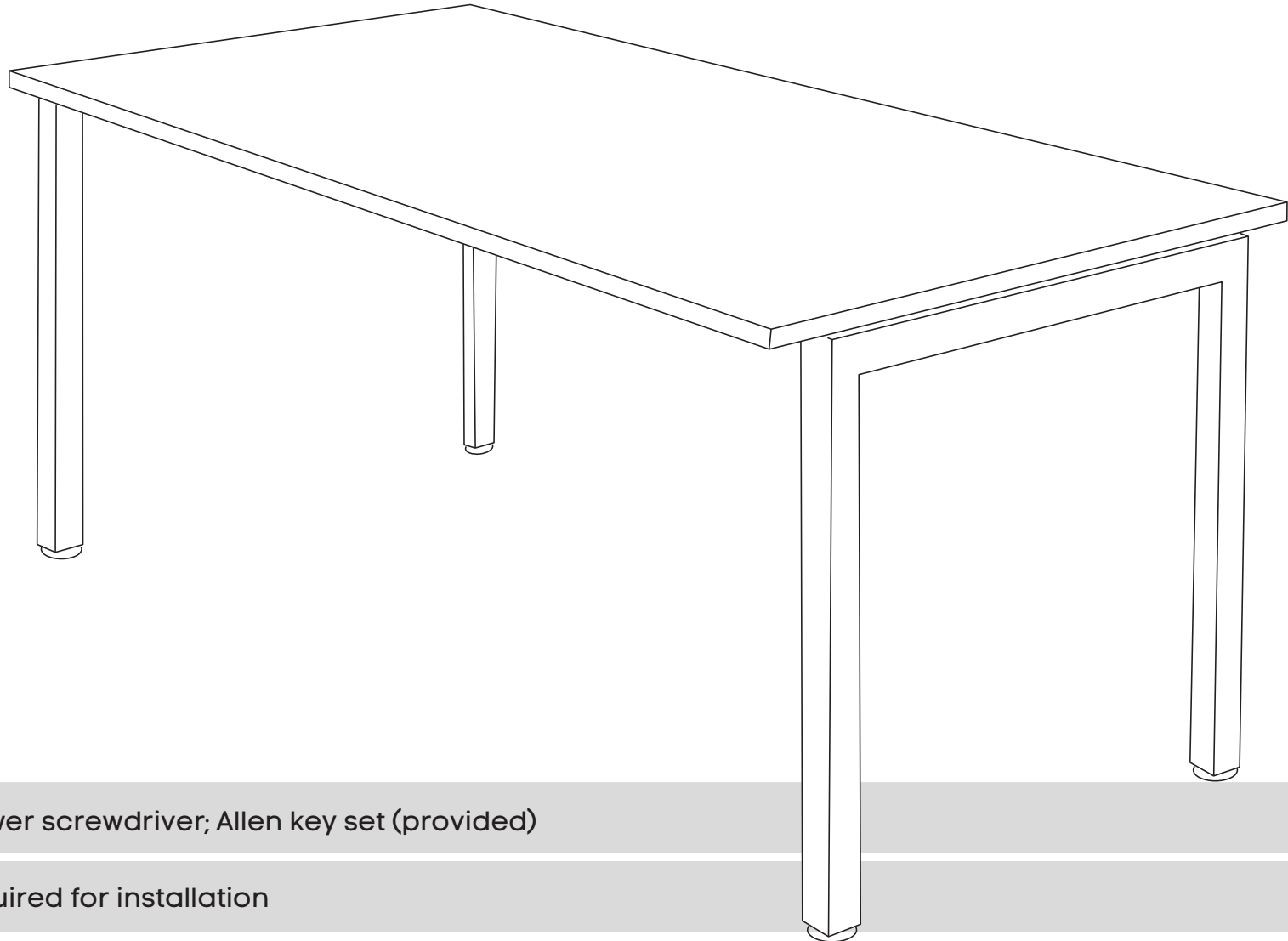
Call us on  
**1300 527 665**

**jason.l**  
your office furniture mate




### Sizes:

1000x600  
1200x700  
1400x700  
1600x700  
1800x700  
2000-2400x700



**Tools Required:** Power screwdriver; Allen key set (provided)

 2 persons required for installation

# ASSEMBLY INSTRUCTIONS

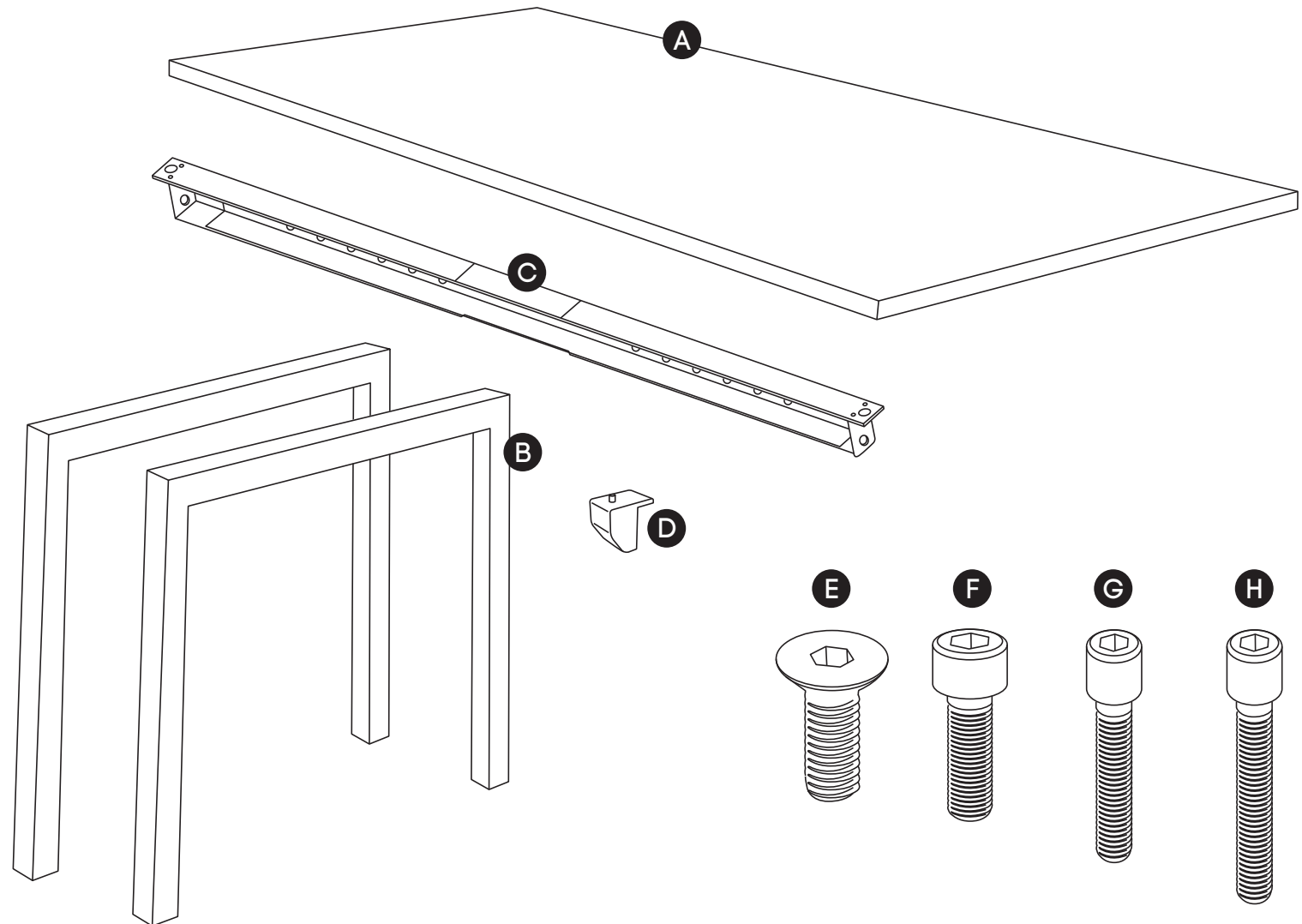
## Quadro Square Desk Frame

[www.jasonl.com.au](http://www.jasonl.com.au)

**Need help!**

Call us on  
**1300 527 665**

**jason.l**  
your office furniture mate



### COMPONENTS

- A Table top x1
- B Legs Quadro Square x2
- C Beam x1 \*
- D Plastic bracket x4

### SCREWS

- E M8x20MM CSK x2
- F M8x20MM Socket head x2
- G M6x20MM Socket head x4
- H M6x30MM Socket head x4

- I Allen key x2

\* Colour of the beam is always black, regardless desk frame colour.

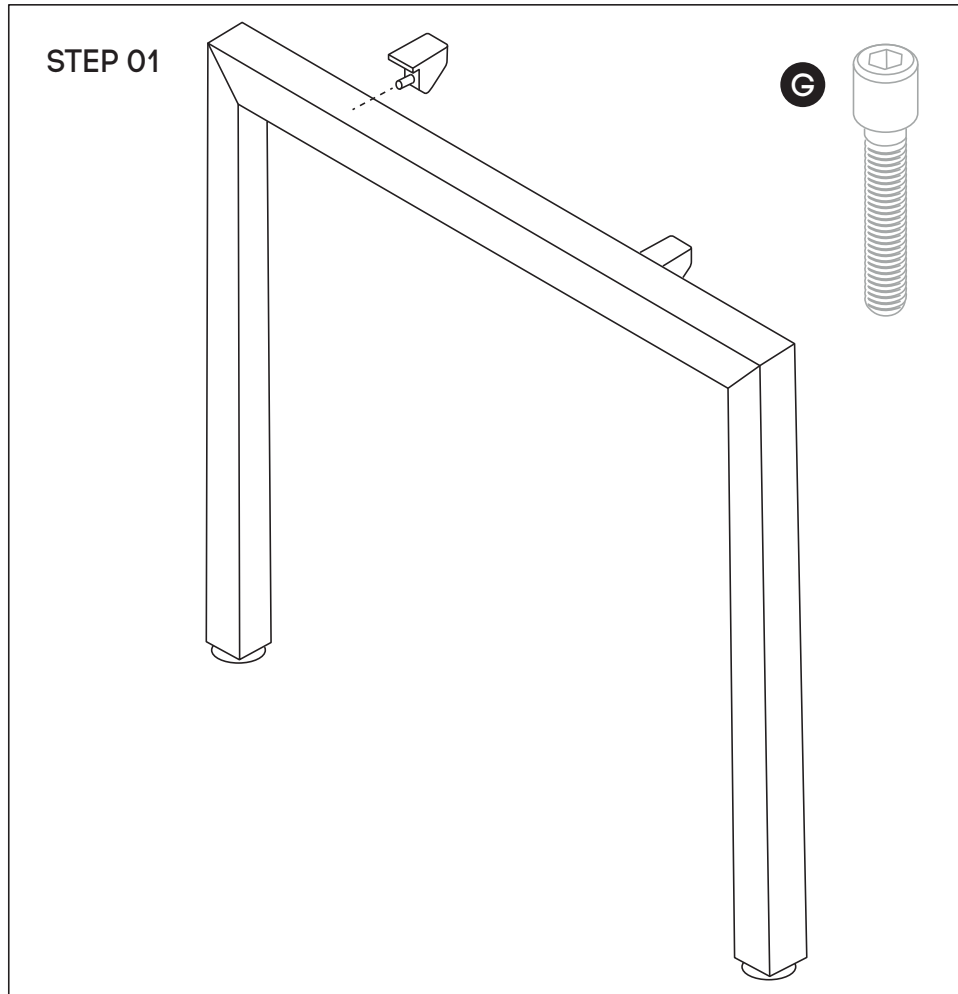
# ASSEMBLY INSTRUCTIONS

## Quadro Square Desk Frame

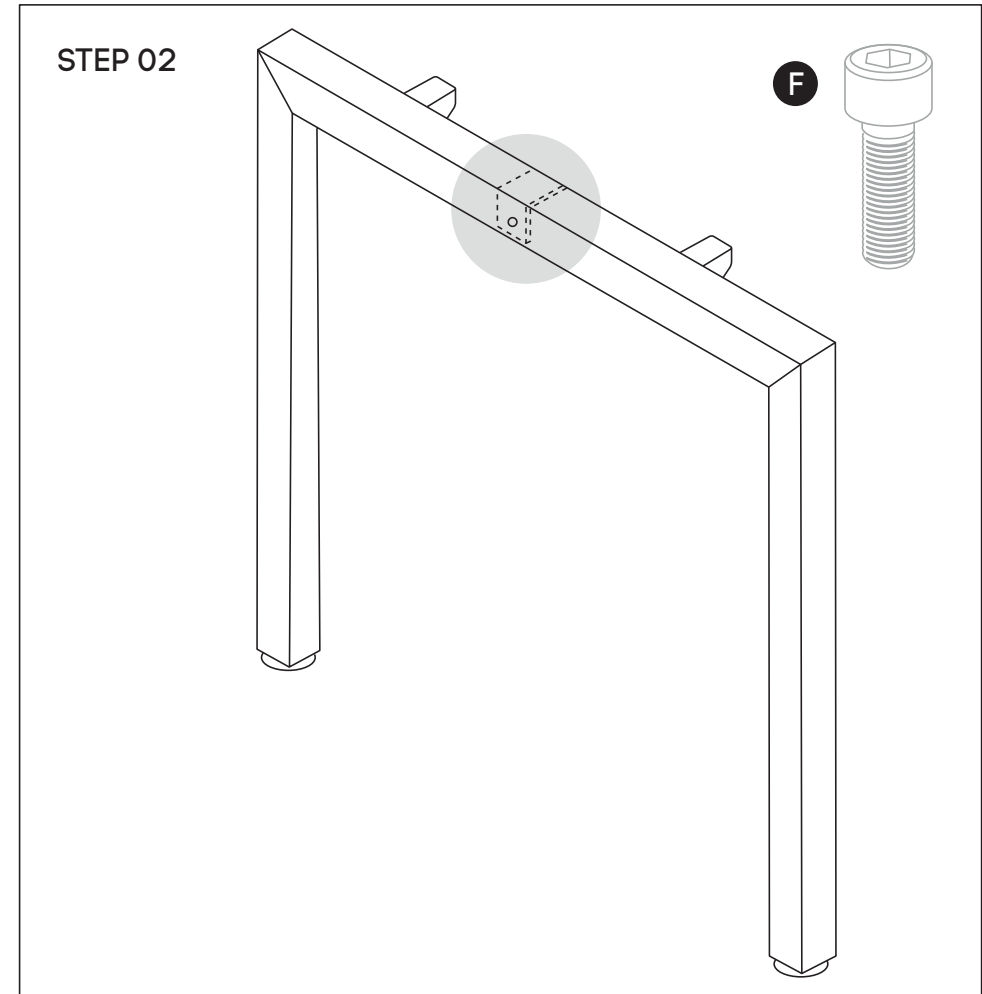
[www.jasonl.com.au](http://www.jasonl.com.au)

**Need help!**  
Call us on  
**1300 527 665**

**jason.l**  
your office furniture mate



Using Allen Key provided, attach 2 plastic brackets per leg **(D)** (as per picture above) using M6x20MM **(G)** Socket head screw



Using Allen Key provided, attach M8x20MM Socket head **(F)**-screw socket half way into leg for both legs **(B)**

# ASSEMBLY INSTRUCTIONS

## Quadro Square Desk Frame

[www.jasonl.com.au](http://www.jasonl.com.au)

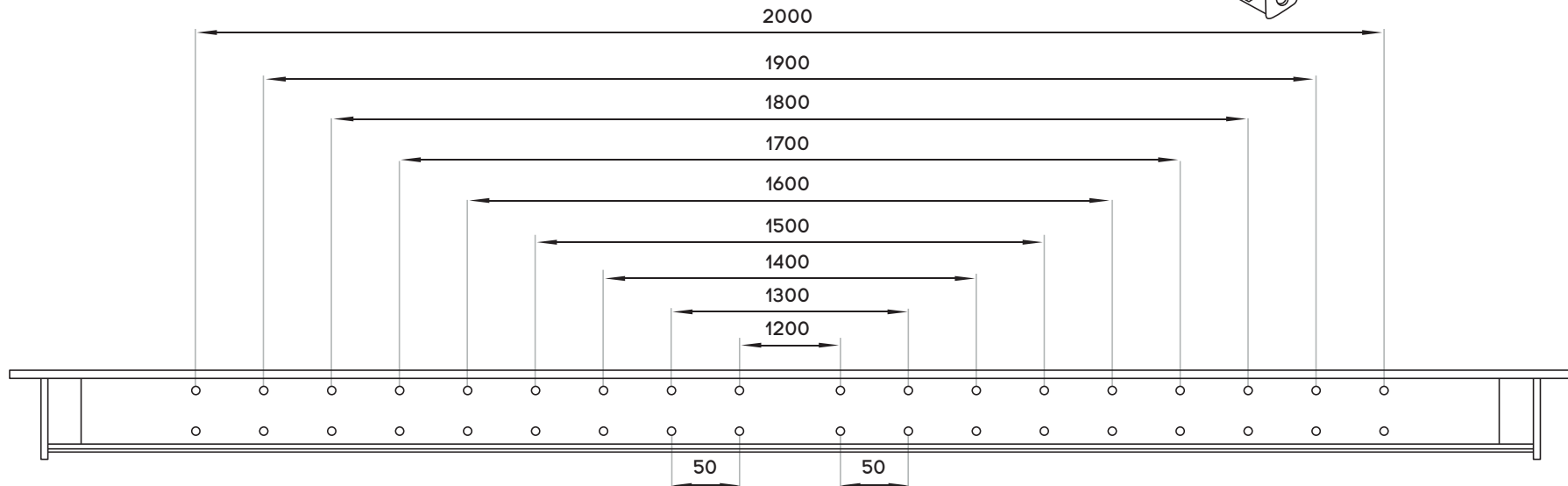
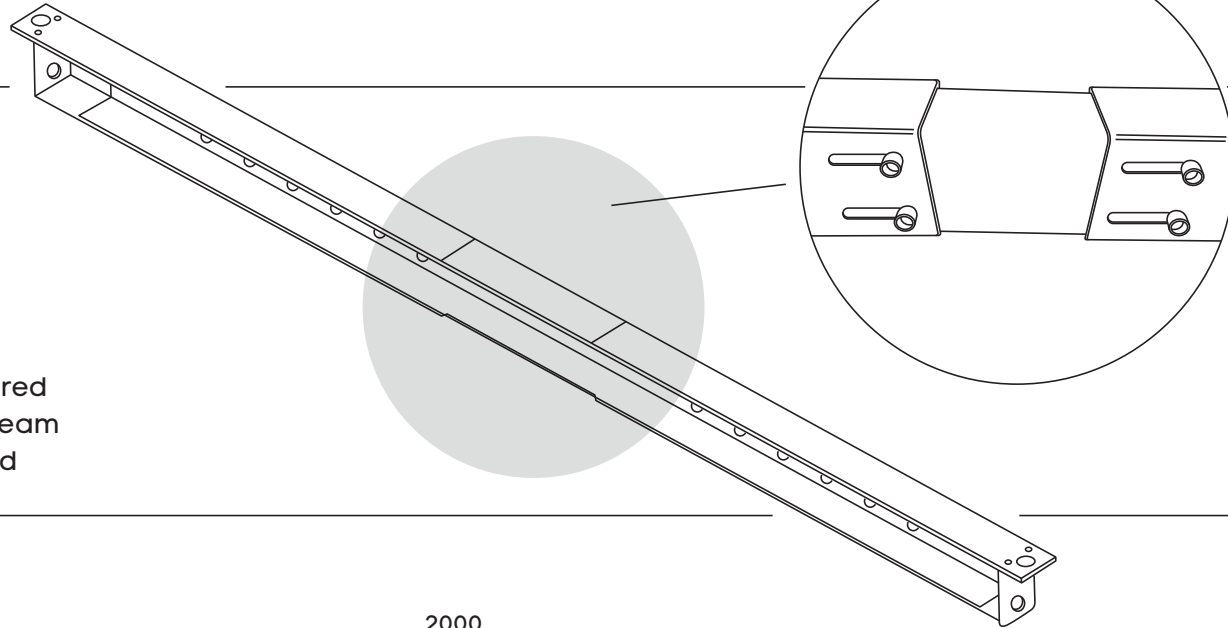
**Need help!**  
Call us on  
**1300 527 665**

**jason.l**  
your office furniture mate



### STEP 03

Adjust extendable beam (C) to desired length using markers and secure beam at that length using screws provided



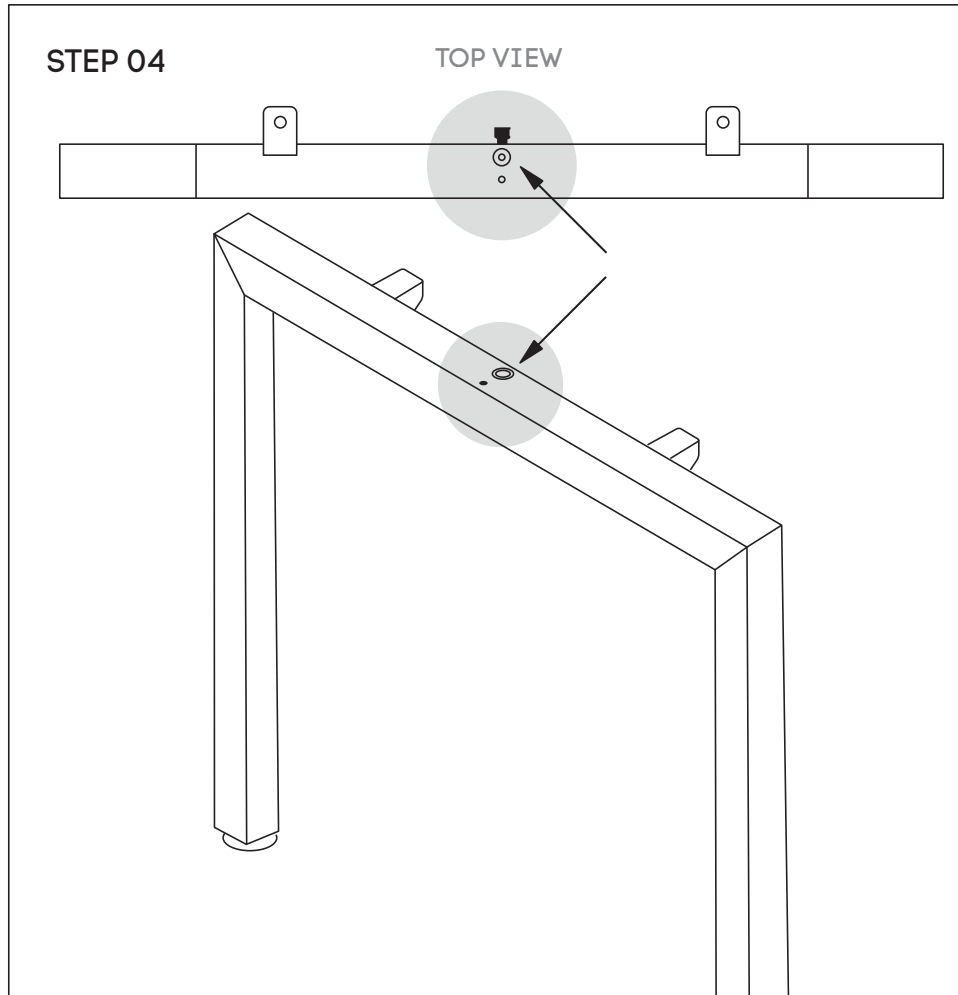
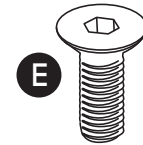
# ASSEMBLY INSTRUCTIONS

## Quadro Square Desk Frame

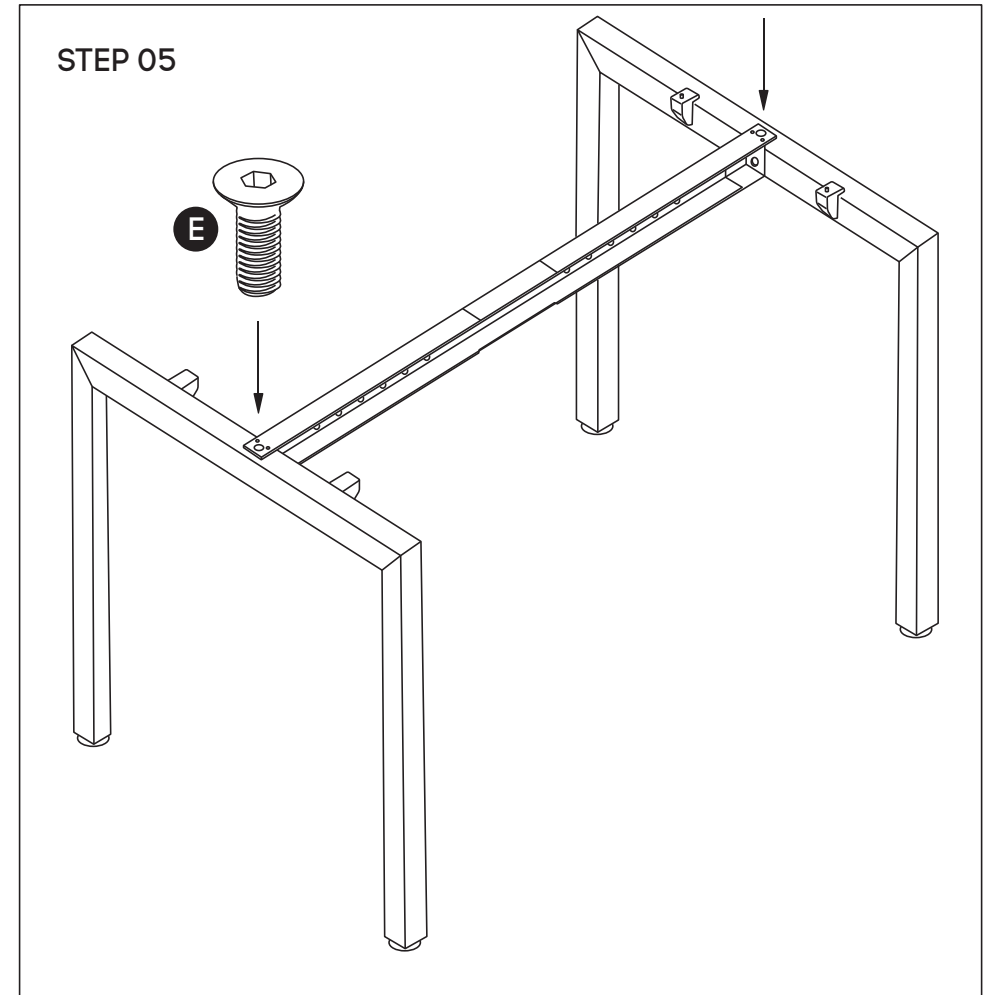
[www.jasonl.com.au](http://www.jasonl.com.au)

**Need help!**  
Call us on  
**1300 527 665**

**jason.l**  
your office furniture mate



Attach beam **(C)** to legs **(B)** using nut insert in legs.  
See point attached



Frame looks like this. Using Allen Key, attach beam **(C)** with Socket **(E)**

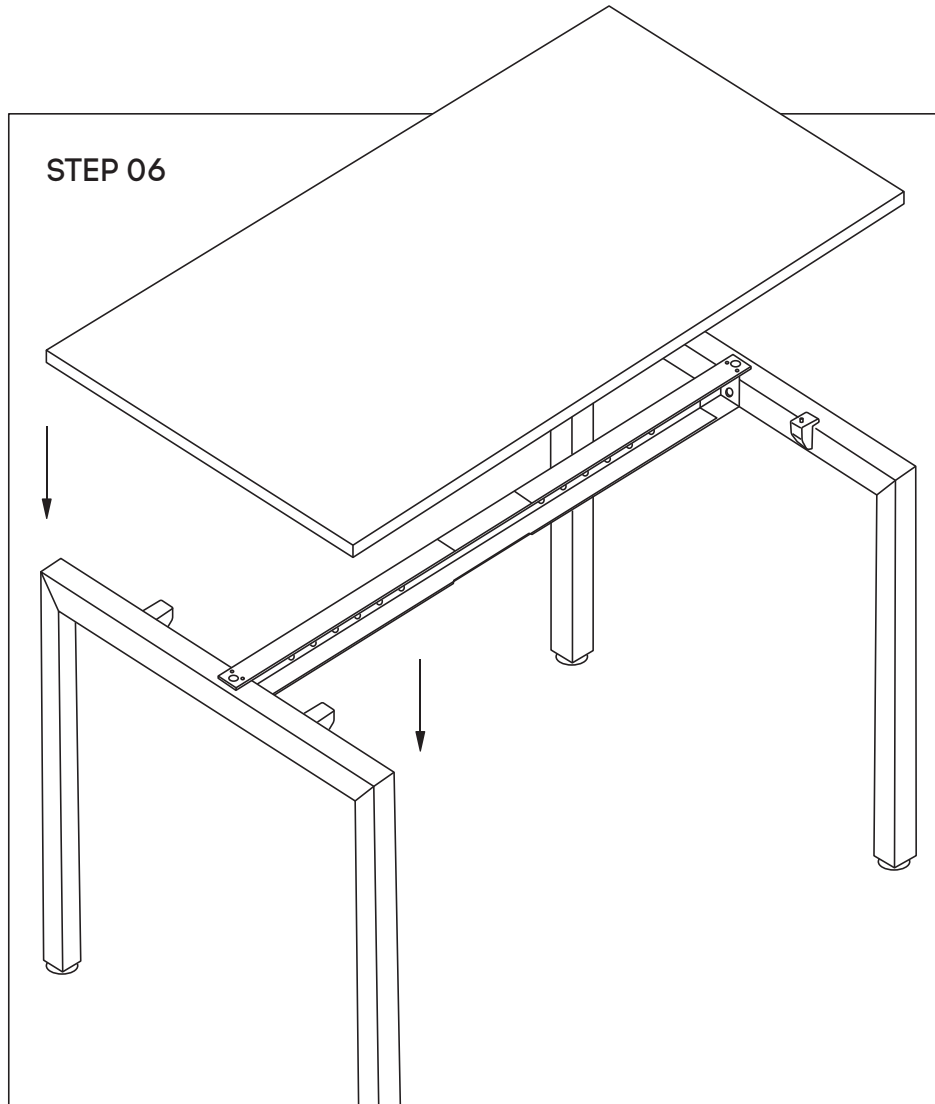
# ASSEMBLY INSTRUCTIONS

## Quadro Square Desk Frame

[www.jasonl.com.au](http://www.jasonl.com.au)

**Need help!**  
Call us on  
**1300 527 665**

**jason.l**  
your office furniture mate



Place desktop on top of frame. Wood Screws to be drilled into the underneath Top.