

# ASSEMBLY INSTRUCTIONS

## Quadro Square Boardroom Frame

[www.jasonl.com.au](http://www.jasonl.com.au)

**Need help!**

Call us on  
**1300 527 665**

**jason.l**  
your office furniture mate

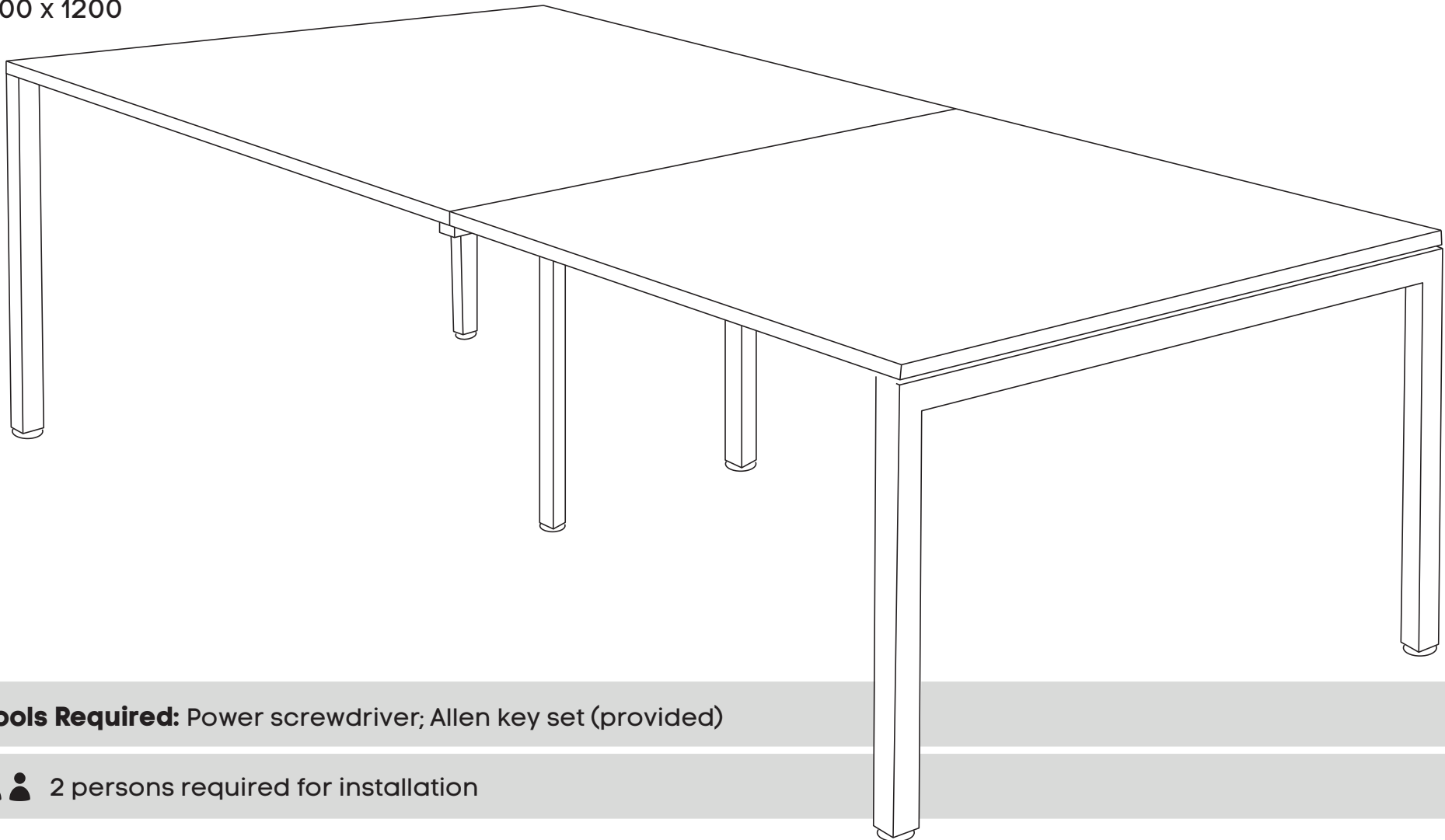


### Sizes:


2400 x 1200

3000 x 1200

3600 x 1200



**Tools Required:** Power screwdriver; Allen key set (provided)

 2 persons required for installation

# ASSEMBLY INSTRUCTIONS

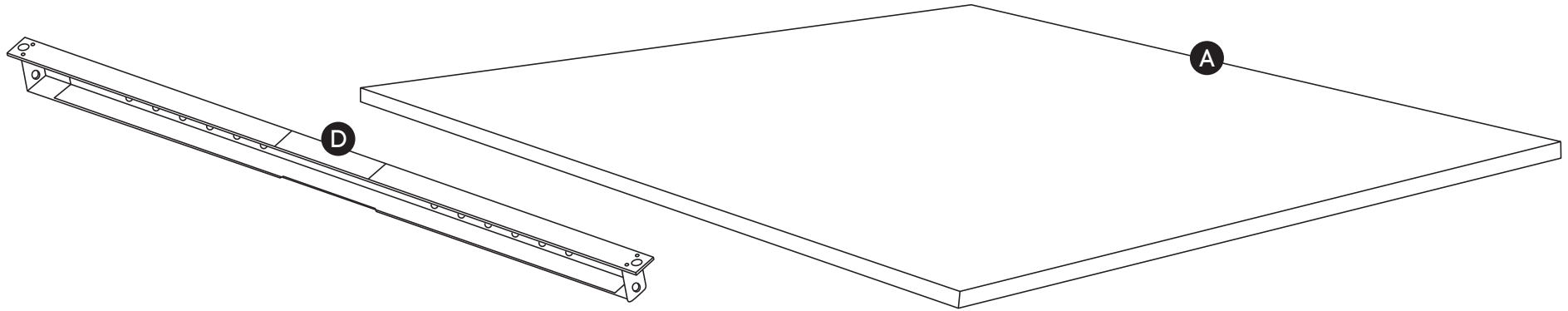
## Quadro Square Boardroom Frame

[www.jasonl.com.au](http://www.jasonl.com.au)

**Need help!**

Call us on  
**1300 527 665**

**jason.l**  
your office furniture mate



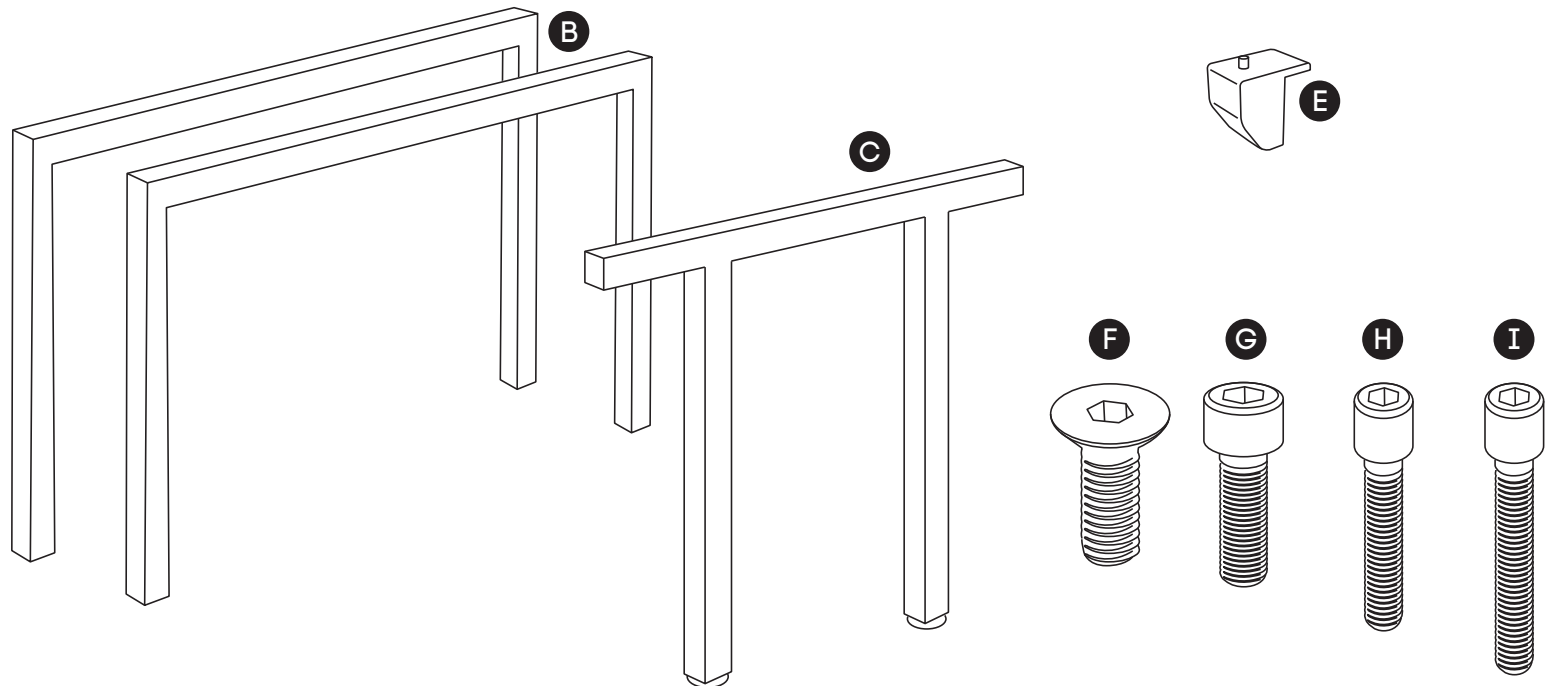
### COMPONENTS

- A Table top x2
- B Leg Quadro Square x2
- C Connector frame x1
- D Beam x4 \*
- E Plastic bracket x16

### SCREWS

- F M8x20MM CSK x8
- G M8x20MM Socket head x8
- H M6x20MM Socket head x16
- I M6x30MM Socket head x16

- J Allen key x2



\* Colour of the beam is always black, regardless desk frame colour.

# ASSEMBLY INSTRUCTIONS

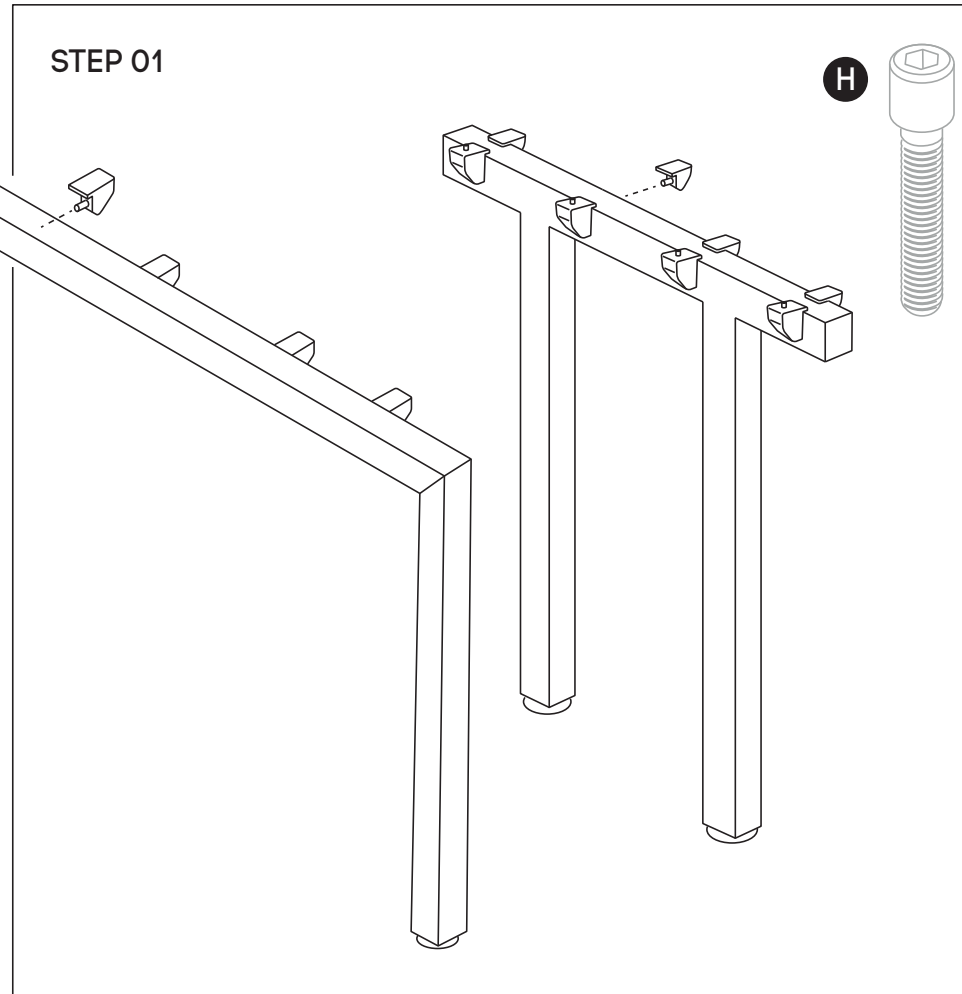
## Quadro Square Boardroom Frame

[www.jasonl.com.au](http://www.jasonl.com.au)

**Need help!**

Call us on  
**1300 527 665**

**jason.l**  
your office furniture mate



Using Allen Key provided, attach 4 plastic brackets per leg **(E)** (as per picture above) using M6x20MM **(H)** Socket head screw. Do the same with Connector frame **(C)**.



Using Allen Key provided, attach M8x20MM Socket head **(G)**-screw socket half way into leg for both legs **(B)** and into Connector frame **(C)**.

# ASSEMBLY INSTRUCTIONS

## Quadro Square Boardroom Frame

[www.jasonl.com.au](http://www.jasonl.com.au)

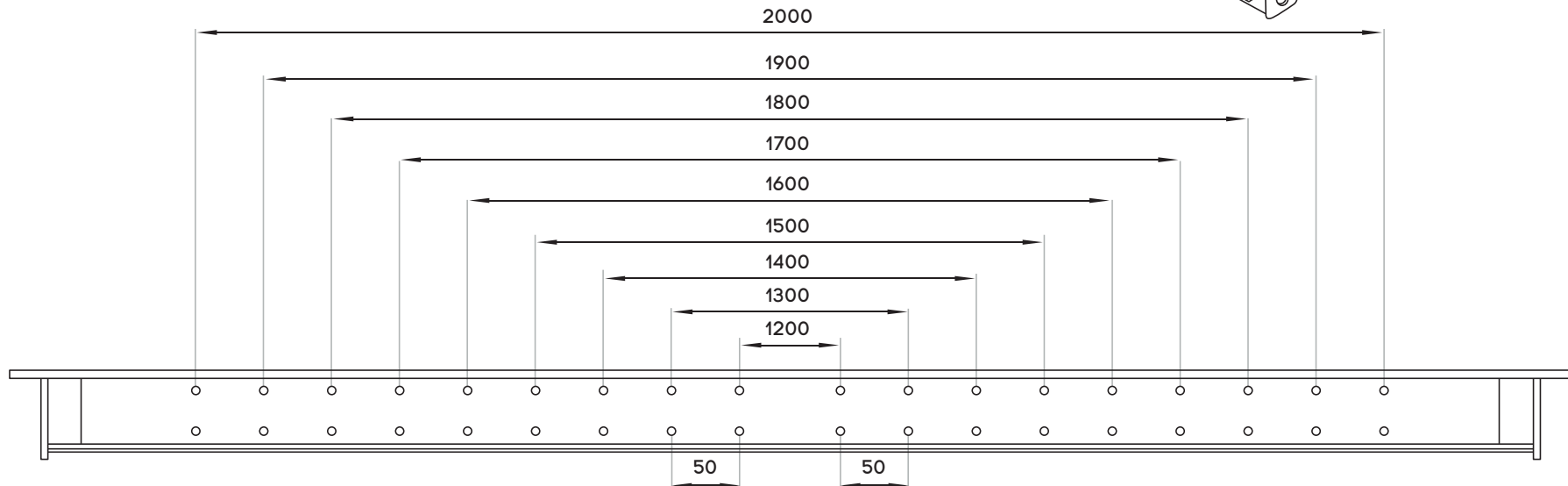
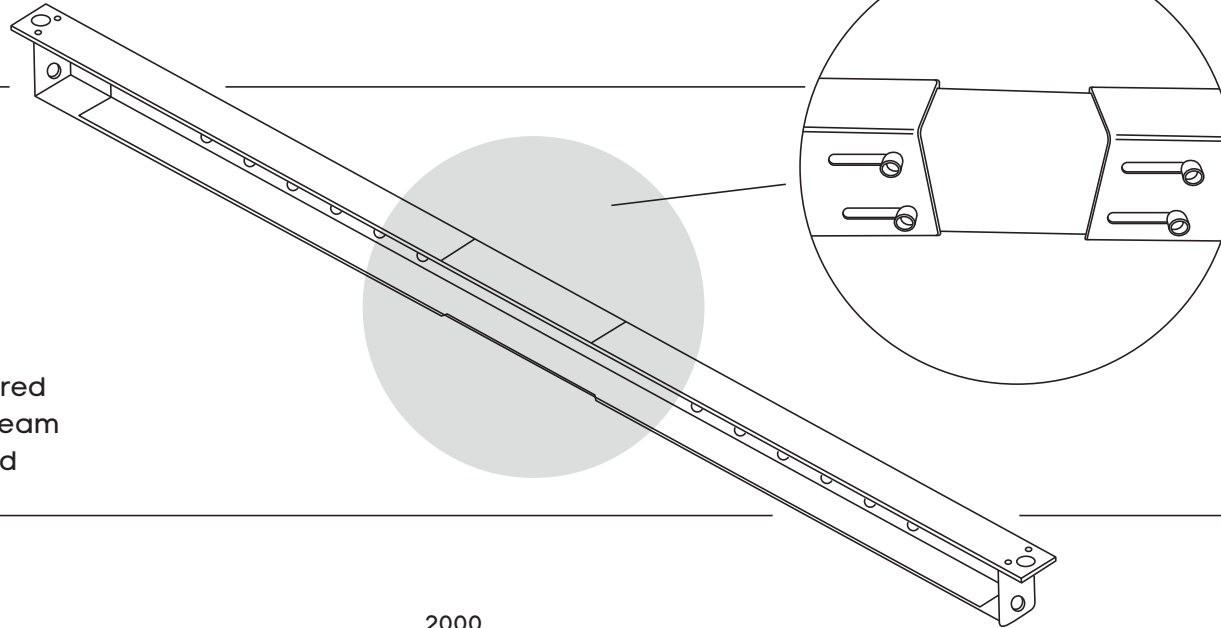
**Need help!**  
Call us on  
**1300 527 665**

**jason.l**  
your office furniture mate



### STEP 03

Adjust extendable beam **(D)** to desired length using markers and secure beam at that length using screws provided



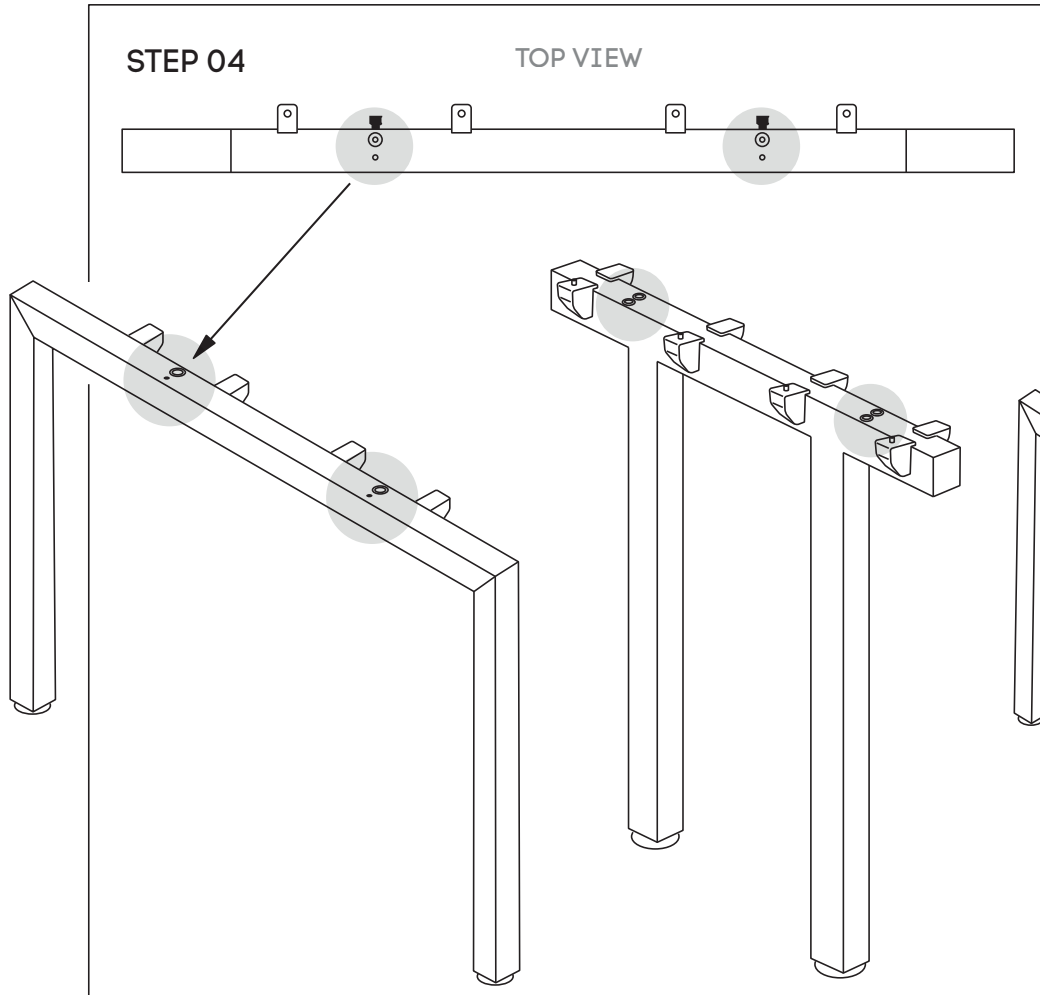
# ASSEMBLY INSTRUCTIONS

## Quadro Square Boardroom Frame

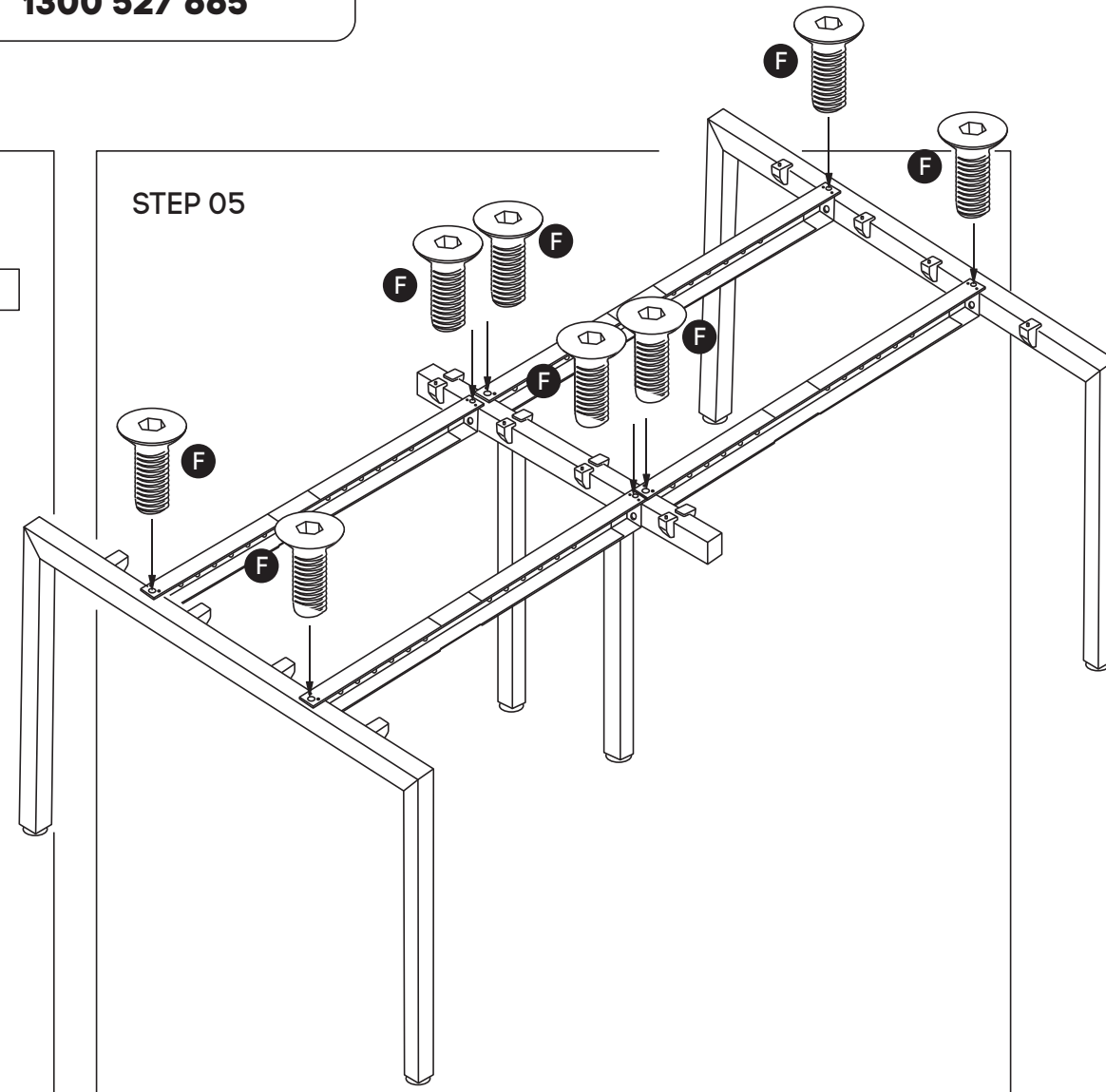
[www.jasonl.com.au](http://www.jasonl.com.au)

**Need help!**  
Call us on  
**1300 527 665**

**jason.l**  
your office furniture mate



Attach beam **(D)** to legs **(B)** and Connector frame **(C)** using nut insert in legs. See point attached



Frame looks like this. Using Allen Key, attach beam **(D)** with Socket **(F)**

# ASSEMBLY INSTRUCTIONS

## Quadro Square Boardroom Frame

[www.jasonl.com.au](http://www.jasonl.com.au)

**Need help!**  
Call us on  
**1300 527 665**

**jason.l**  
your office furniture mate



STEP 06

